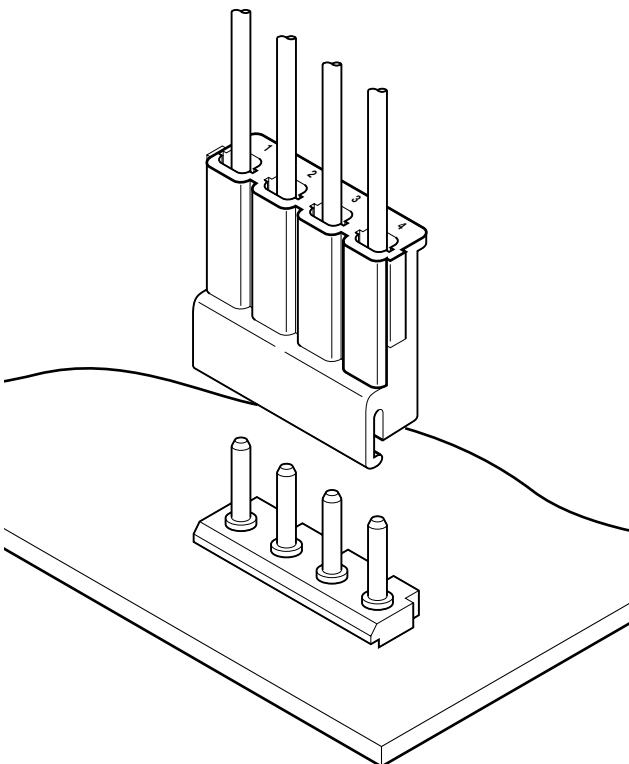
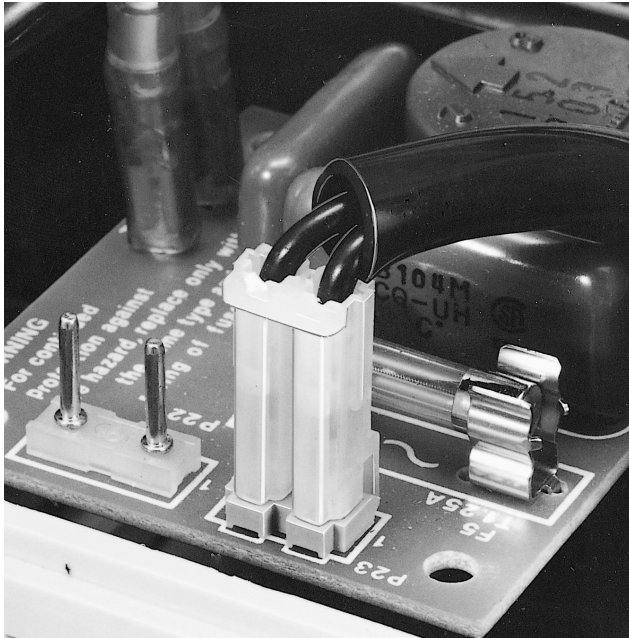


# SV CONNECTOR

Disconnectable Crimp style connectors



## Features

### • Anti-misinsertion feature

The directional features of the housing prevent reverse contact insertion.

### • Locking mechanism

The housings with two or four circuits have locking mechanisms. This feature also provides polarization so that the housing cannot be mismatched with the header.

## Specifications

- Current rating: 5A AC, DC (AWG #20)
- Voltage rating: 250V AC, DC
- Temperature range: -25°C to +85°C  
(including temperature rise in applying electrical current)
- Contact resistance: Initial value/10m Ω max.  
After environmental testing/15m Ω max.
- Insulation resistance: 1,000M Ω min.
- Withstanding voltage: 1,500V AC/minute
- Applicable wire: AWG #24 to #20
- Applicable PC board thickness: 1.6mm
- \* Compliant with RoHS.
- \* Refer to "General Instruction and Notice when using Terminals and Connectors" at the end of this catalog.
- \* Contact JST for details.

## Standards

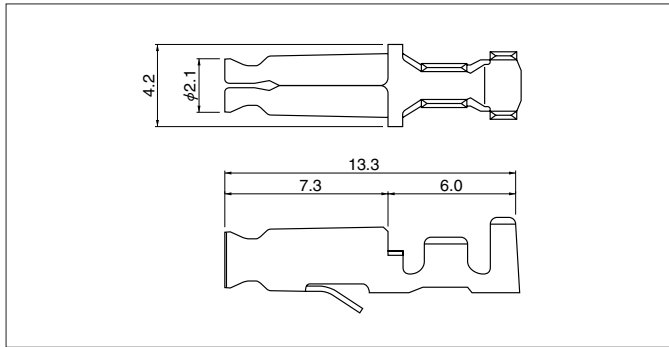
Recognized E60389

Certified LR20812

R75171

# SV CONNECTOR

## Contact



Model No.	Applicable wire			Q'ty / reel
	mm <sup>2</sup>	AWG #	Insulation O.D. (mm)	
<b>SVF-01T-1.5N</b>	0.2 to 0.5	24 to 20	1.5 to 2.5	4,000

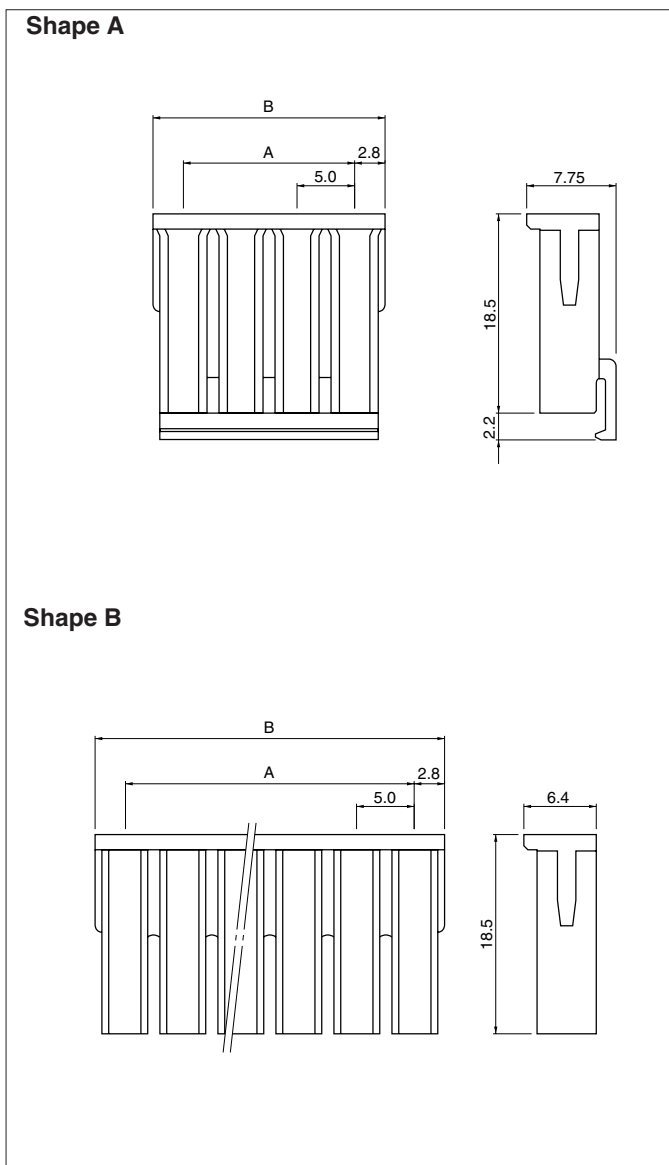
### Material and Finish

Brass, tin-plated (reflow treatment)

### RoHS compliance

Note: Contact JST for details if you require shielded wires, thin wires or other special wires, or if two wires must be crimped in one contact.

## Housing



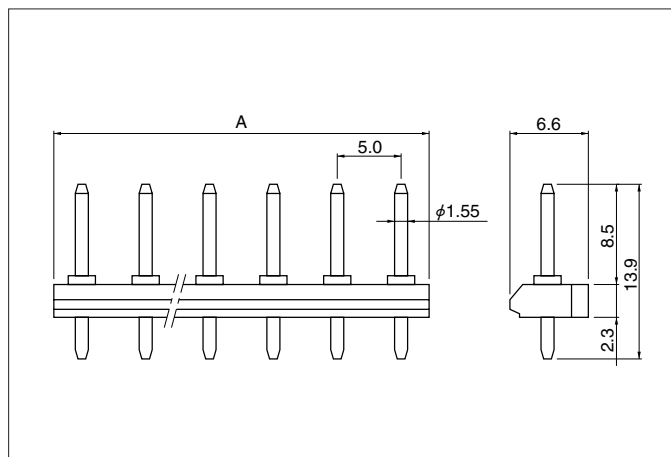
Circuits	Model No.	Shape	Dimensions (mm)		Q'ty / bag
			A	B	
2	<b>S 2P-SVF</b>	A	5.0	10.6	1,000
4	<b>S 4P-SVF</b>	A	15.0	20.6	500
6	<b>S 6P-SVF</b>	B	25.0	30.6	500
8	<b>S 8P-SVF</b>	B	35.0	40.6	200
10	<b>S10P-SVF</b>	B	45.0	50.6	200

### Material

PA 6, UL94V-2, natural (white)

### RoHS compliance

## Header



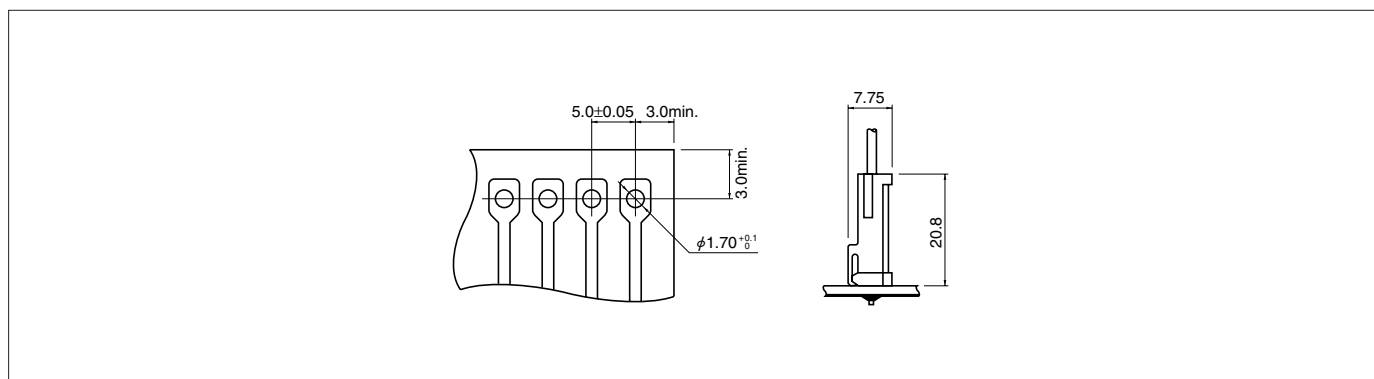
Cir-cuits	Model No.	Dimension A (mm)	Q'ty / box
2	<b>RTB-1.5-02F</b>	10.0	1,000
4	<b>RTB-1.5-04F</b>	20.0	500
6	<b>RTB-1.5-06F</b>	30.0	250
8	<b>RTB-1.5-08F</b>	40.0	200
10	<b>RTB-1.5-10F</b>	50.0	100

### Material and Finish

Post: Brass, nickel-undercoated, tin/copper alloy-plated  
 Wafer: Glass filled PA 66, UL94V-0, natural (ivory)

**RoHS compliance** This product displays (LF) on a label.

## PC board layout (viewed from soldering side) and Assembly layout



### Note:

1. Tolerances are non-cumulative:  $\pm 0.05$ mm for all centers.
2. Hole dimensions differ according to the kind of PC board and piercing method. The dimensions above should serve as a guideline. Contact JST for details.

## Crimping machine, Applicator

Contact	Crimping machine	Crimp applicator	Dies	Crimp applicator with dies
<b>SVF-01T-1.5N</b>	AP-K2N	MKS-L	MK/SVF-01-15N	APLMK SVF01-15N
		-	-	-

## X-ON Electronics

Largest Supplier of Electrical and Electronic Components

*Click to view similar products for [Headers & Wire Housings](#) category:*

*Click to view products by [JST](#) manufacturer:*

Other Similar products are found below :

[0015917161](#) [0022155065](#) [57102-F02-18ULF](#) [58102-G61-06LF](#) [582553-1](#) [01.001.5753.1](#) [0050291907](#) [02.125.8002.8](#) [609-3404](#) [61062-3](#)  
[CSU011177004](#) [622-0430](#) [622-3653LF](#) [63453-116](#) [636-1030](#) [636-1427](#) [636-3427](#) [636-4007](#) [641938-9](#) [65495-038](#) [65692-001LF](#) [65781-018](#)  
[65781-047](#) [65817-010LF](#) [65817-015LF](#) [67095-007LF](#) [67601157](#) [68631-112](#) [68645-018](#) [699319-000](#) [70.362.1628.0](#) [70-4210](#) [70-4226B](#) [70-](#)  
[4853B](#) [71.350.2428.0](#) [733-134](#) [733-162](#) [MHR-64-VUAL](#) [80.063.4001.1](#) [800-90-001-10-001000](#) [801-43-002-10-013000](#) [801-43-006-10-](#)  
[002000](#) [803-43-024-10-001000](#) [803-93-012-10-001000](#) [8-1437020-4](#) [819-22-004-30-001101](#) [820-22-006-30-001101](#) [820-22-008-30-001101](#)  
[821-22-002-10-001101](#) [821-22-003-10-002101](#)