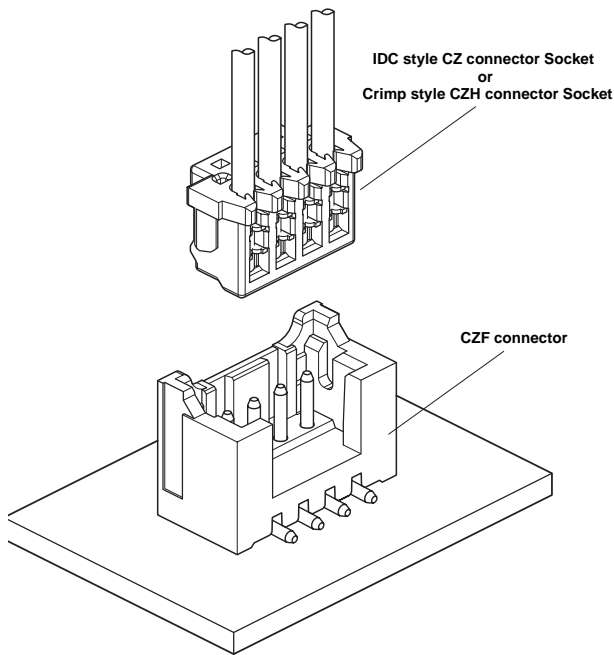


CZF CONNECTOR



1.5mm pitch/Disconnectable Insulation displacement and Crimp style connectors



The SMT top entry type headers that can be mated with the 1.5 mm pitch CZ connector socket are on the lineup.

- Suction tape is not required because the flat area for picking up is provided to the connector.
- This header can be accommodated to both the crimp style and the insulation displacement (ID) style sockets.

Specifications

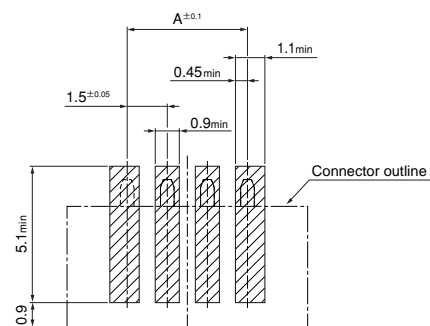
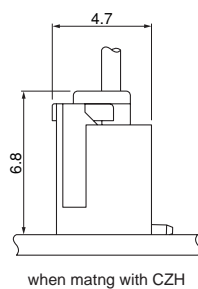
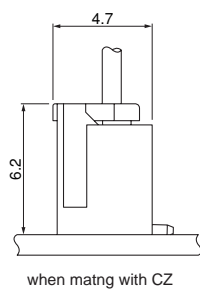
	CZF / CZ connectors	CZF / CZH connectors
Current rating	2 A AC, DC (AWG #26)	
Voltage rating	100V AC, DC	
Temperature rise	-25°C to +85°C (including temperature rise in applying electrical current)	
Contact resistance	Initial value / 10 mΩ max. After environmental tests / 20 mΩ max.	
Insulation resistance	500 MΩ min.	
Withstanding voltage	500 VAC/minute	
Applicable wire	UL10272 (Contact JST for other UL style wires.) AWG #28, # 26 Conductor / 7-strands, tinned annealed copper Insulation O.D. / 0.7 to 0.83 mm	AWG #28 to # 26

- * Refer to "General Instruction and Notice when using Terminals and Connectors" at the end of this catalog.
- * Contact JST for details.
- * Compliant with RoHS.

Standards

Recognized E60389

PC board layout and Assembly layout

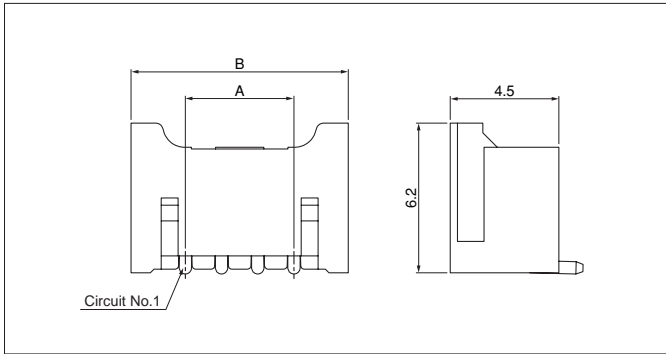


Recommended pattern layout

Note: 1. The above figure is the figure viewed from the connector mounting side.
2. Tolerances are non-cumulative: ±0.05 mm for all centers. The dimensions above should serve as a guideline. Contact JST for details.

CZF CONNECTOR

CZF connector SMT type header



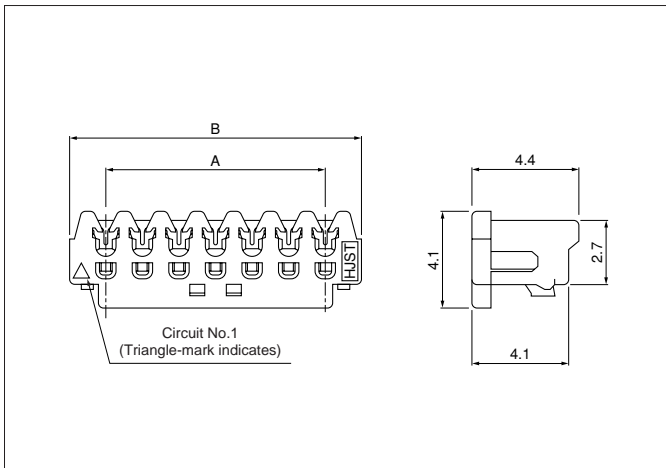
Circuits	Model No.	Dimensions (mm)		Q'ty/ reel
		A	B	
2	BM02B-CZFKS-TF	1.5	6.0	1,150
3	BM03B-CZFKS-TF	3.0	7.5	1,150
4	BM04B-CZFKS-TF	4.5	9.0	1,150
5	BM05B-CZFKS-TF	6.0	10.5	1,150
6	BM06B-CZFKS-TF	7.5	12.0	1,150
8	BM08B-CZFKS-TF	10.5	15.0	1,150

Material and Finish

Pin: Copper alloy, copper-undercoated, tin-plated (reflow treatment)
Wafer: Polyamide, UL94V-0, black

RoHS compliance This product displays (LF)(SN) on a label.

CZ connector socket



Circuits	Model No.		Dimensions (mm)		Q'ty/ box
	Gray	Yellow	A	B	
2	02CZ-6H	02CZ-6Y	1.5	4.5	2,000
3	03CZ-6H	03CZ-6Y	3.0	6.0	2,000
4	04CZ-6H	04CZ-6Y	4.5	7.5	2,000
5	05CZ-6H	05CZ-6Y	6.0	9.0	2,000
6	06CZ-6H	06CZ-6Y	7.5	10.5	2,000
8	08CZ-6H	08CZ-6Y	10.5	13.5	2,000

Material and Finish

Contact: Phosphor bronze, tin-plated (reflow treatment)
Housing: Glass-filled PA 66, UL94V-0

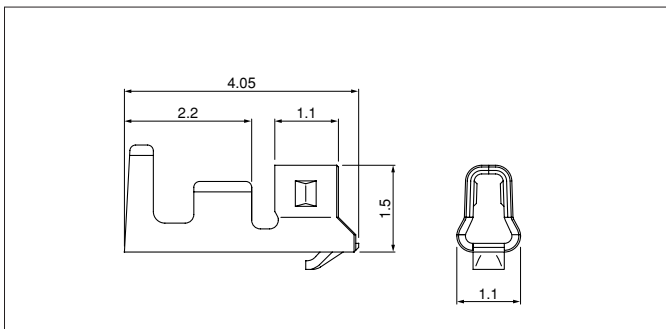
RoHS compliance

<For reference> As the color identification, the following alphabet shall be put in the underlined part. For availability, delivery and minimum order quantity, contact JST.

ex. **02CZ-6H**

Y...yellow H...natural (grayish color)

CZH connector contact



Model No.	Applicable wire		Insulation O.D. (mm)	Q'ty/reel
	mm ²	AWG#		
SCZH-002T-P0.5	0.08~0.13	28~26	0.8~1.1	13,000

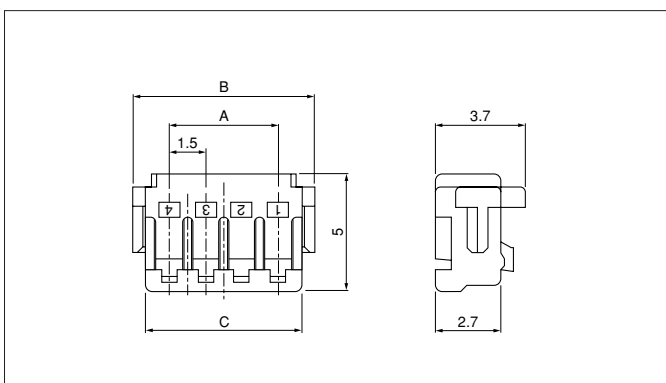
Material and Finish

Phosphor bronze, tin-plated (reflow treatment)

RoHS compliance

Contact	Crimping machine	Applicator		
		Crimp applicator	Dies	Crimp applicator with dies
SCZH-002T-P0.5	AP-K2N	MKS-L	MK/SCZH-002-05	APLMK SCZH002-05

CZH connector housing



Circuits	Model No.	Dimensions (mm)			Q'ty/ box
		A	B	C	
2	CZHR-02V-S	1.5	4.5	3.5	1,000
3	CZHR-03V-S	3.0	6.0	5.0	1,000
4	CZHR-04V-S	4.5	7.5	6.5	1,000
5	CZHR-05V-S	6.0	9.0	8.0	1,000
6	CZHR-06V-S	7.5	10.5	9.5	1,000
8	CZHR-08V-S	10.5	13.5	12.5	1,000

Material

PBT, UL94V-0, natural (white)

RoHS compliance

<For reference> As the color identification, the following alphabet shall be put in the underlined part. For availability, delivery and minimum order quantity, contact JST.

ex. **CZHR-02V-S**

S...natural (white) K...black H...gray Y...yellow

X-ON Electronics

Largest Supplier of Electrical and Electronic Components

Click to view similar products for [jst manufacturer](#):

Other Similar products are found below :

[B02B-JWPF-SK-R](#) [B5PS-VH](#) [B6P-VH](#) [B8P-VH](#) [B04P-NV](#) [B2B-PH-K-S](#) [B2B-PH-SM4-TB](#) [B34B-PHDSS-B\(LF\)\(SN\)](#) [B6PS-VH](#) [B7PS-VH](#)
[IDH-KR-12](#) [10HR-4K](#) [WC-ZE2426](#) [WC-691](#) [FVDDF5.5-375A \(LF\)](#) [FVGS12-6 \(LF\)](#) [FVWS2-S3.3 \(LF\)](#) [FVWS5.5-5 \(LF\)](#) [B6PS-](#)
[VH\(LF\)\(SN\)](#) [FNGS12-6](#) [TWE0.5-8](#) [FVGS4-1 \(LF\)](#) [WC-GVH2630](#) [S10B-PH-SM4-TB\(LF\)\(SN\)](#) [B4B-XH-TW \(LF\)\(SN\)](#) [B6B-EH-A-TW](#)
[\(LF\)\(SN\)](#) [B6P-VH-TW \(LF\)\(SN\)](#) [B8B-XH-TW \(LF\)\(SN\)](#) [BM08B-SRSS-TB](#) [SM10B-GHS-TB](#) [10FPZ-SM-TF\(LF\)\(SN\)](#) [YRS-852](#) [B04B-](#)
[VYHSK-M-1](#) [B2B-ZR-SM4-TFT\(LF\)\(SN\)](#) [WC-SH2832](#) [02T-JWPF-VSLE-S](#) [WC-930P](#) [WC-620P](#) [WC-160](#) [WC-122](#) [B08P-VL](#) [SHR-08V-](#)
[S-B](#) [YRS-241](#) [BM04B-SRSS-TBT\(LF\)\(SN\)](#) [XADRP-24V](#) [XAP-04V-1](#) [YRS-1090](#) [VLP-06V](#) [WC-0510DIN](#) [WC-930](#)