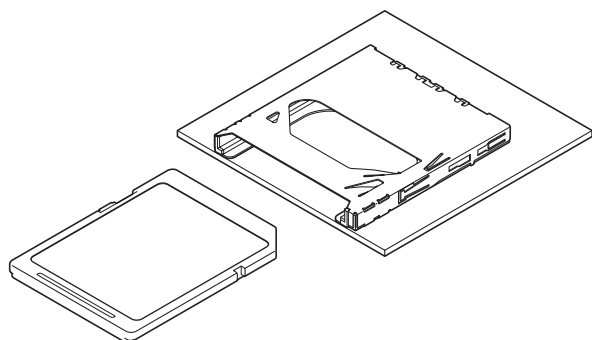


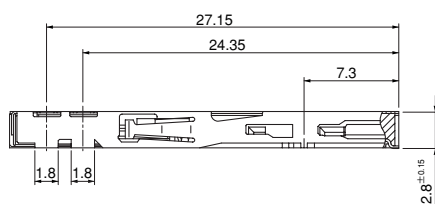


# SDK CONNECTOR



**This connector is designed for SD Card & MMC (Multi media card), complying with the SD Card Association standard, and is with the switch for Write-protection & Card-detection. And due to Push-push mechanism design, its card can be easily ejected by push-push operation.**

- Space saving design
- The amount of card ejection
- Outstanding durability
- Prevention of reverse card insertion

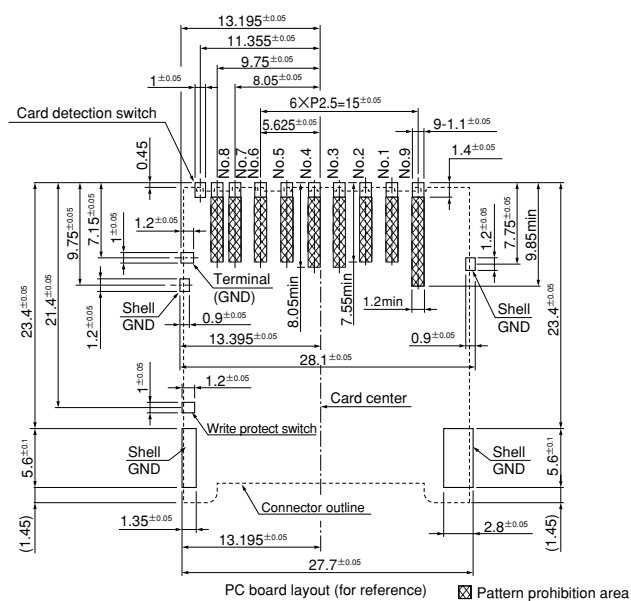


Note: 1. The above figure is the figure viewed from the connector mounting side.  
 2. Tolerances are non-cumulative:  $\pm 0.05\text{mm}$  for all centers.  
 3. The dimensions above should serve as a guideline. Contact JST for details.

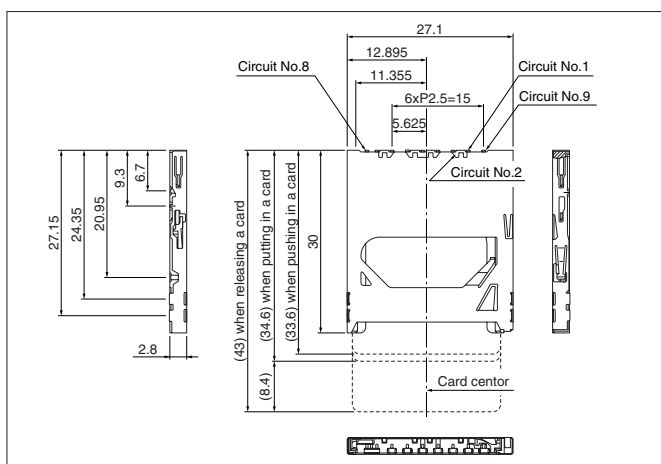
## Specifications

- Current rating: 0.5A AC, DC
- Voltage rating: 5V AC, DC
- Temperature range:  $-25^{\circ}\text{C}$  to  $+85^{\circ}\text{C}$   
 (including temperature rise in applying electrical current)
- Recommendatory PC board thickness: 0.6mm to 1.0mm  
 [When it is mounted on the FPC, recommendable reinforcing layer thickness is 0.6mm min.]
- Contact resistance:  
 (Signal part) Initial value/ 30m  $\Omega$  max.  
 After environmental testing/ 60m  $\Omega$  max.  
 (Switch part) Initial value/ 100m  $\Omega$  max.  
 After environmental testing/ 100m  $\Omega$  max.
- Insulation resistance: 1,000M  $\Omega$  min. at 500V DC
- Withstanding voltage: 500V AC/minute

- \* Compliant with RoHS.
- \* Refer to "General Instruction and Notice when using Terminals and Connectors" at the end of this catalog.
- \* Contact JST for details.



## Connector



| Model No.          | Q'ty / reel |
|--------------------|-------------|
| SDK-9BNS-K13-GS-TB | 450         |

### Material and Finish

Housing, Guide: Heat resisting resin, UL94V-0  
 Contact: Copper alloy, nickel-undercoated, selective gold-plated, selective tin-plated (reflow treatment)  
 Terminal: Copper alloy, nickel-undercoated, gold-plated  
 Card detection switch: Copper alloy, nickel-undercoated, gold-plated  
 Write protect switch: Copper alloy, nickel-undercoated, selective gold-plated, selective tin-plated (reflow treatment)  
 Card lock: Copper alloy, tin-plated  
 Joint rod, Spring: SUS  
 Shell: SUS, Solder tail/ selective nickel-undercoated, tin-plated (reflow treatment)

**RoHS compliance** This product displays (LF)(SN) on a label.  
 Note: This products listed above are supplied on embossed-tape.

## X-ON Electronics

Largest Supplier of Electrical and Electronic Components

*Click to view similar products for [Memory Card Connectors](#) category:*

*Click to view products by [JST](#) manufacturer:*

Other Similar products are found below :

[M10-597810-355](#) [M21-033321-005](#) [6426-201-21343](#) [69.920.0553.0](#) [MCR60A-98D-2.54DSA\(70\)](#) [FCN-568P068-G/07-4V](#) [809180410000000](#)  
[95622-003LF](#) [AD2-262F-38900-232](#) [DM3AT-SF-PEJM5\(41\)](#) [EN2997S72039F6](#) [N7E50-7516PG-20-WF](#) [IC11S-BUR-PNEJL\(71\)](#) [NX30TA-](#)  
[15PAA\(50\)](#) [21920-5](#) [2041353-2](#) [FUA006-3220-0](#) [308-DS1P0811-192](#) [33CFAE-DN](#) [MI21A-50PD-SF-EJR\(91\)](#) [502431-1011](#) [5175651-2](#) [10-](#)  
[247926-166](#) [10-629549-258N](#) [11327-001](#) [11327-002](#) [EN2997S02039B8](#) [EN2997S61212BN](#) [EN2997S72039B6](#) [EN2997SE02039B8](#)  
[EN2997SE61212BN](#) [EN2997SE72039B6](#) [603020000](#) [617230001](#) [71-252718-32P](#) [NX1-32T-KT3K\(05\)](#) [95622-003LF](#) [91-570124-15P](#)  
[192900-0488](#) [N7E50-U516RB-50-SIN0005](#) [DM1AA-SF-PEJ](#) [95079-00CALF](#) [84648-056HLF](#) [68-580163-21S](#) [33DVIR-29S12R](#)  
[SF58S006VBBR2000](#) [93-570123-08P](#) [GMC020080HR](#) [125A-78C00](#) [1010040575#](#)