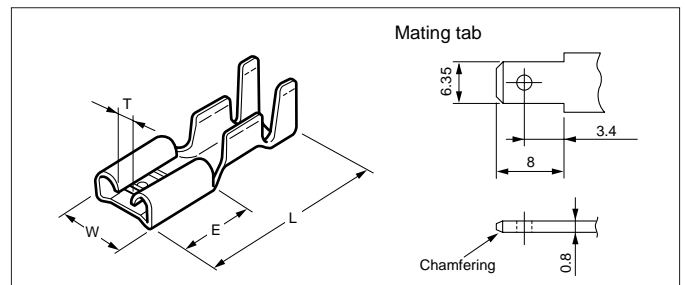


# TAB-ON TERMINAL

## 250 Tab-on type



UL Listed E70188

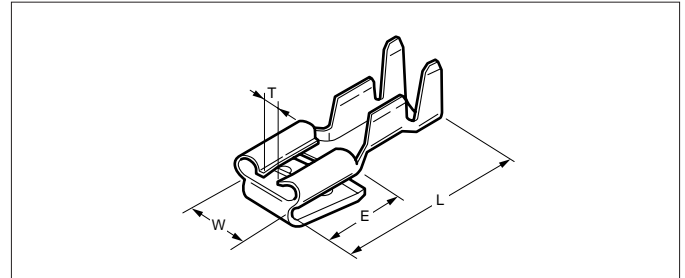
SP Certified LR20812

| Model No.     | Standard | Applicable wire |          |                            | Material  | Finish     | Dimensions(mm) |      |     |              |                       |                            | Q'ty/<br>reel |
|---------------|----------|-----------------|----------|----------------------------|---|------------|----------------|------|-----|--------------|-----------------------|----------------------------|---------------|
|               |          | mm <sup>2</sup> | AWG #    | Insulation<br>O.D.<br>(mm) |   |            | W              | L    | E   | T<br>approx. | Material<br>thickness | Mating<br>tab<br>thickness |               |
| STO-21-250N   | UL SP    | 0.3 to 0.75     | 22 to 18 | 2.3 to 3.0                 | Brass   | —          | 7.7            | 19.0 | 7.8 | 2.4          | 0.4                   | 0.8                        | 5,000         |
| STO-21T-250N  | UL SP    |                 |          |                            |   | Tin-plated |                |      |     |              |                       |                            |               |
| STO-61-250N   | UL SP    | —               |          |                            |   |            |                |      |     |              |                       |                            |               |
| STO-61T-250N  | UL SP    | 0.75 to 2.0     | 18 to 14 | 2.8 to 3.8                 |   | Tin-plated | 7.6            | 19.6 | 8.0 | 1.6          | 0.45                  | 0.8                        |               |
| STO-81-250N   | UL SP    |                 |          |                            |   | —          |                |      |     |              |                       |                            |               |
| STO-81T-250N  | UL SP    | 2.0 to 3.5      | 14 to 12 | 3.8 to 5.0                 |   | Tin-plated | 7.6            | 19.0 | 8.0 | 1.6          | 0.45                  | 0.8                        |               |
| *STO-62T-250N | UL SP    |                 |          |                            | UL1015 #20 + UL1015 #20<br>UL1015 #18 + UL1015 #20<br>UL1015 #18 + UL1015 #18 |            |                |      |     |              |                       |                            | Tin-plated    |

RoHS compliance

Note: Terminal denoted by \* is used only for two wires. If using wires in other combinations than the ones shown above, contact JST.

## 250 Tab-on piggyback type



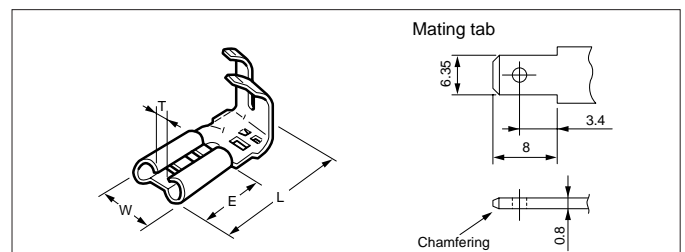
UL Listed E70188

SP Certified LR20812

| Model No.    | Standard | Applicable wire |          |                            | Material | Finish     | Dimensions(mm) |      |     |              |                       |                            | Q'ty/<br>reel |
|--------------|----------|-----------------|----------|----------------------------|----------|------------|----------------|------|-----|--------------|-----------------------|----------------------------|---------------|
|              |          | mm <sup>2</sup> | AWG #    | Insulation<br>O.D.<br>(mm) |          |            | W              | L    | E   | T<br>approx. | Material<br>thickness | Mating<br>tab<br>thickness |               |
| SFT-61T-250N | UL SP    | 0.75 to 2.0     | 18 to 14 | 2.8 to 3.9                 | Brass    | Tin-plated | 7.6            | 19.6 | 8.3 | 2.9          | 0.39                  | 0.8                        | 3,000         |

RoHS compliance

## 250 Tab-on flag type



UL Listed E70188

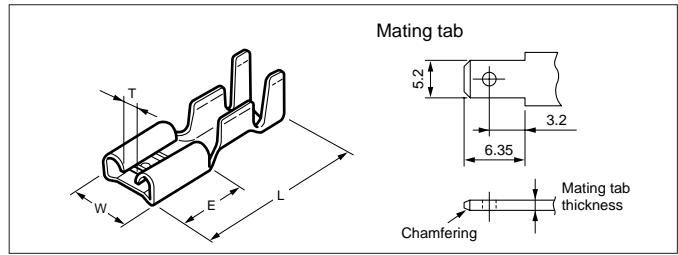
SP Certified LR20812

| Model No.    | Standard | Applicable wire |          |                            | Material | Finish     | Dimensions(mm) |      |     |              |                       |                            | Q'ty/<br>reel |
|--------------|----------|-----------------|----------|----------------------------|----------|------------|----------------|------|-----|--------------|-----------------------|----------------------------|---------------|
|              |          | mm <sup>2</sup> | AWG #    | Insulation<br>O.D.<br>(mm) |          |            | W              | L    | E   | T<br>approx. | Material<br>thickness | Mating<br>tab<br>thickness |               |
| SFO-61-250A  | UL SP    | 0.75 to 2.0     | 18 to 14 | 2.8 to 3.8                 | Brass    | —          | 8.0            | 16.1 | 7.8 | 3.0          | 0.45                  | 0.8                        | 3,000         |
| SFO-61T-250A | UL SP    |                 |          |                            |          | Tin-plated |                |      |     |              |                       |                            |               |

RoHS compliance

# TAB-ON TERMINAL

## 205 Tab-on type



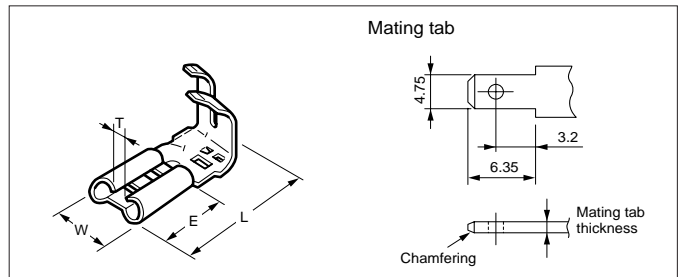
UL Listed E70188

SF Certified LR20812

| Model No.      | Standard | Applicable wire |          |                      | Material | Finish     | Dimensions(mm) |      |     |           |                    | Q'ty/reel |                      |
|----------------|----------|-----------------|----------|----------------------|----------|------------|----------------|------|-----|-----------|--------------------|-----------|----------------------|
|                |          | mm <sup>2</sup> | AWG #    | Insulation O.D. (mm) |          |            | W              | L    | E   | T approx. | Material thickness |           | Mating tab thickness |
| STO-21-205N    | UL SF    | 0.3 to 0.75     | 22 to 18 | 2.3 to 3.0           | Brass    | —          | 6.4            | 15.9 | 6.4 | 0.7       | 0.4                | 0.8       | 7,500                |
| STO-21T-205N   |          |                 |          |                      |          | Tin-plated |                |      |     |           |                    | 0.5       |                      |
| STO-21-205N-5  |          |                 |          |                      |          | —          |                |      |     |           |                    |           |                      |
| STO-21T-205N-5 |          |                 |          |                      |          | Tin-plated |                |      |     |           |                    |           |                      |

RoHS compliance

## 187 Tab-on flag type



UL Listed E70188

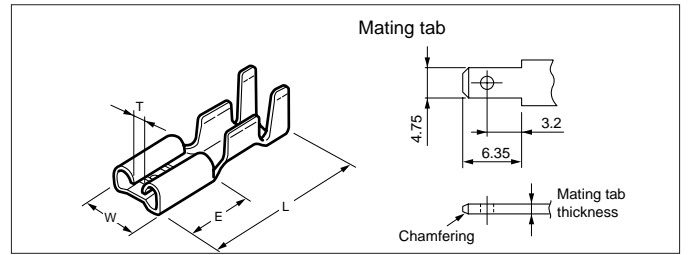
SF Certified LR20812

| Model No.      | Standard | Applicable wire |          |                      | Material | Finish     | Dimensions(mm) |      |     |           |                    | Q'ty/reel |                      |
|----------------|----------|-----------------|----------|----------------------|----------|------------|----------------|------|-----|-----------|--------------------|-----------|----------------------|
|                |          | mm <sup>2</sup> | AWG #    | Insulation O.D. (mm) |          |            | W              | L    | E   | T approx. | Material thickness |           | Mating tab thickness |
| SFO-41-187N    | UL SF    | 0.5 to 1.25     | 20 to 16 | 2.6 to 3.5           | Brass    | —          | 5.6            | 12.3 | 6.4 | 1.0       | 0.32               | 0.5       | 5,000                |
| SFO-41T-187N   |          |                 |          |                      |          | Tin-plated |                |      |     |           |                    | 0.8       |                      |
| SFO-41-187N-8  |          |                 |          |                      |          | —          |                |      |     |           |                    |           |                      |
| SFO-41T-187N-8 |          |                 |          |                      |          | Tin-plated |                |      |     |           |                    |           |                      |

RoHS compliance

# TAB-ON TERMINAL

## 187 Tab-on type



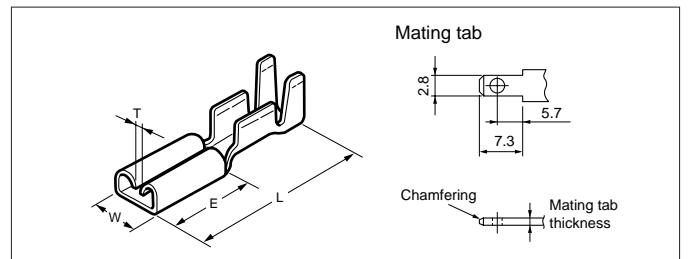
UL Listed E70188    IEC Recognized E70188 (AWG #24)    SPB Certified LR20812

| Model No.      | Standard   | Applicable wire   |          |                      | Material | Finish     | Dimensions(mm) |      |     |           |                    | Q'ty / reel |                      |
|----------------|------------|---|----------|----------------------|----------|------------|----------------|------|-----|-----------|--------------------|-------------|----------------------|
|                |            | mm <sup>2</sup>   | AWG #    | Insulation O.D. (mm) |          |            | W              | L    | E   | T approx. | Material thickness |             | Mating tab thickness |
| STO-01-187N    | UL IEC     | 0.2 to 0.5  | 24 to 20 | 1.5 to 2.6           | Brass    | —          | 5.6            | 15.0 | 6.3 | 1.5       | 0.32               | 10,000      |                      |
| STO-01T-187N   | Tin-plated |   |          |                      |          |            |                |      |     |           |                    |             |                      |
| STO-01-187N-8  | —          |   |          |                      |          |            |                |      |     |           |                    |             |                      |
| STO-01T-187N-8 | Tin-plated |   |          |                      |          |            |                |      |     |           |                    |             |                      |
| STO-41-187N    | UL IEC     | 0.5 to 1.25   | 20 to 16 | 2.6 to 3.5           | Brass    | —          | 5.6            | 15.0 | 6.3 | 1.5       | 0.32               | 10,000      |                      |
| STO-41T-187N   | Tin-plated |   |          |                      |          |            |                |      |     |           |                    |             |                      |
| STO-41-187N-8  | —          |   |          |                      |          |            |                |      |     |           |                    |             |                      |
| STO-41T-187N-8 | Tin-plated |   |          |                      |          |            |                |      |     |           |                    |             |                      |
| *STO-62T-187N  | UL IEC     | UL1015 #20 + UL1015 #20<br>UL1015 #18 + UL1015 #20<br>UL1015 #18 + UL1015 #18 |          |                      | Brass    | Tin-plated | 5.6            | 19.6 | 6.4 | 1.5       | 0.32               | 0.5         | 4,000                |
| *STO-82T-187N  | UL IEC     | UL1015 #18 + UL1015 #18<br>UL1015 #18 + UL1015 #16<br>UL1015 #16 + UL1015 #16 |          |                      | Brass    | Tin-plated | 5.6            | 19.6 | 6.4 | 1.5       | 0.32               | 0.5         | 4,000                |

### RoHS compliance

Note: Terminal denoted by \* is used only for two wires. If using wires in other combinations than the ones shown above, contact JST.

## 110 Tab-on type



UL Listed E70188    IEC Recognized E70188 (AWG #24)    SPB Certified LR20812

| Model No.      | Standard   | Applicable wire |          |                      | Material | Finish | Dimensions(mm) |      |     |           |                    | Q'ty / reel |
|----------------|------------|-----------------|----------|----------------------|----------|--------|----------------|------|-----|-----------|--------------------|-------------|
|                |            | mm <sup>2</sup> | AWG #    | Insulation O.D. (mm) |          |        | W              | L    | E   | T approx. | Material thickness |             |
| STO-01-110N    | UL IEC     | 0.2 to 0.5      | 24 to 20 | 2.1 to 2.8           | Brass    | —      | 3.7            | 15.4 | 6.3 | 0.6       | 0.25               | 10,000      |
| STO-01T-110N   | Tin-plated |                 |          |                      |          |        |                |      |     |           |                    |             |
| STO-01-110N-8  | —          |                 |          |                      |          |        |                |      |     |           |                    |             |
| STO-01T-110N-8 | Tin-plated |                 |          |                      |          |        |                |      |     |           |                    |             |
| STO-41-110N    | UL IEC     | 0.5 to 1.25     | 20 to 16 | 2.6 to 3.5           | Brass    | —      | 3.7            | 15.4 | 6.3 | 0.6       | 0.25               | 10,000      |
| STO-41T-110N   | Tin-plated |                 |          |                      |          |        |                |      |     |           |                    |             |
| STO-41-110N-8  | —          |                 |          |                      |          |        |                |      |     |           |                    |             |
| STO-41T-110N-8 | Tin-plated |                 |          |                      |          |        |                |      |     |           |                    |             |

### RoHS compliance

# TAB-ON TERMINAL

## Crimping machine, Applicator

| Contact            | Crimping machine | Applicator       |                |                            |
|--------------------|------------------|------------------|----------------|----------------------------|
|                    |                  | Crimp applicator | Dies           | Crimp applicator with dies |
| STO-21(T)-250N     | AP-K2N           | MK-L             | MK/STO-21-250  | APLMK STO21-250N           |
|                    |                  | —                | —              | —                          |
| STO-61(T)-250N     |                  | MK-L             | MK/STO-61-250N | APLMK STO61-250N           |
|                    |                  | —                | —              | —                          |
| STO-81(T)-250N     |                  | MK-L             | MK/STO-81-250N | APLMK STO81-250N           |
|                    |                  | —                | —              | —                          |
| STO-62T-250N       |                  | MK-L             | MK/STO-62-250N | APLMK STO61-250N           |
|                    |                  | —                | —              | —                          |
| SFT-61T-250N       |                  | MKS-L            | MK/SFT-61-250N | APL SFT 61-250N            |
|                    |                  | —                | —              | —                          |
| SFO-61(T)-250A     |                  | MKF-L-250        | MK/SFO-61-250A | APL SFO61-250A             |
|                    |                  | —                | —              | —                          |
| STO-21(T)-205N(-5) |                  | MK-L             | MK/STO-21-205N | APL STO21-205N             |
|                    |                  | —                | —              | —                          |
| SFO-41(T)-187N(-8) | MKF-L-187        | MK/SFO-41-187N   | APL SFO41-187N |                            |
|                    | —                | —                | —              |                            |

| Contact            | Crimping machine | Applicator       |                  |                            |
|--------------------|------------------|------------------|------------------|----------------------------|
|                    |                  | Crimp applicator | Dies             | Crimp applicator with dies |
| STO-01(T)-187N(-8) | AP-K2N           | MK-L             | MK/STO-01-187N   | APLMK STO01-187N           |
|                    |                  | —                | —                | —                          |
| STO-41(T)-187N(-8) |                  | MK-L             | MK/STO-41-187N   | APLMK STO41-187N           |
|                    |                  | —                | —                | —                          |
| STO-62T-187N       |                  | MK-L-187         | MK/STO-62-187N   | APLMK STO62-187N           |
|                    |                  | —                | —                | —                          |
| STO-82(T)-187N     |                  | MK-L-187         | MK/STO-82-187N   | APLMK STO82-187N           |
|                    |                  | —                | —                | —                          |
| STO-01(T)-110N(-8) |                  | MK-L             | MK/STO-01-110N   | APLMK STO01-110N           |
|                    |                  | —                | —                | —                          |
| STO-41(T)-110N(-8) | MK-L             | MK/STO-41-110N   | APLMK STO41-110N |                            |
|                    | —                | —                | —                |                            |

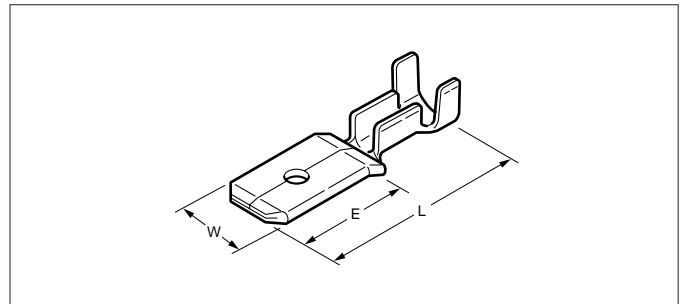
\* Refer to "General Instruction and Notice when using Terminals and Connectors" at the end of this catalog.


\* Contact JST for details.


\* Compliant with RoHS.

# TAB-ON-TAB TERMINAL

## 250 Tab-on tab type

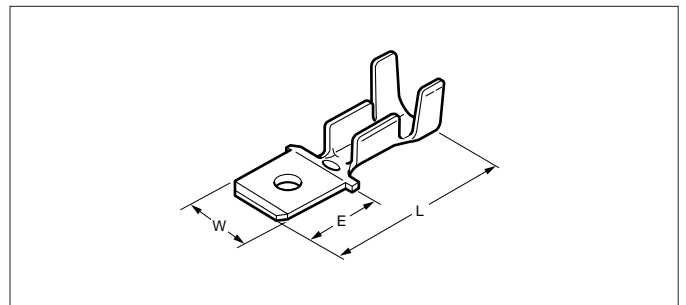


 Listed E70188


| Model No.          | Standard  | Applicable wire |          |                            | Material | Finish     | Dimensions(mm) |      |      |                       |                  | Q'ty/<br>reel |
|--------------------|---|-----------------|----------|----------------------------|----------|------------|----------------|------|------|-----------------------|------------------|---------------|
|                    |   | mm <sup>2</sup> | AWG #    | Insulation<br>O.D.<br>(mm) |          |            | W              | L    | E    | Material<br>thickness | Tab<br>thickness |               |
| <b>SOM-51-250</b>  |  | 0.5 to 2.0      | 20 to 14 | 2.6 to 3.8                 | Brass    | —          | 6.4            | 20.8 | 11.6 | 0.4                   | 0.8              | 5,000         |
| <b>SOM-51T-250</b> |   |                 |          |                            |          | Tin-plated |                |      |      |                       |                  |               |

RoHS compliance

## 187 Tab-on tab type



 Listed E70188

| Model No.          | Standard  | Applicable wire |          |                            | Material | Finish     | Dimensions(mm) |      |     |                       |                  | Q'ty/<br>reel |
|--------------------|---|-----------------|----------|----------------------------|----------|------------|----------------|------|-----|-----------------------|------------------|---------------|
|                    |   | mm <sup>2</sup> | AWG #    | Insulation<br>O.D.<br>(mm) |          |            | W              | L    | E   | Material<br>thickness | Tab<br>thickness |               |
| <b>SOM-21-187</b>  |  | 0.3 to 0.75     | 22 to 18 | 2.3 to 3.0                 | Brass    | —          | 4.8            | 17.2 | 6.4 | 0.5                   | 0.5              | 10,000        |
| <b>SOM-21T-187</b> |   |                 |          |                            |          | Tin-plated |                |      |     |                       |                  |               |

RoHS compliance

## Crimping machine, Applicator

| Contact              | Crimping<br>machine | Applicator       |               |                            |
|----------------------|---------------------|------------------|---------------|----------------------------|
|                      |                     | Crimp applicator | Dies          | Crimp applicator with dies |
| <b>SOM-51(T)-250</b> | AP-K2N              | MK-L             | MK/SOM-51-250 | APLMK SOM51-250            |
|                      |                     | —                | —             | —                          |

| Contact              | Crimping<br>machine | Applicator       |               |                            |
|----------------------|---------------------|------------------|---------------|----------------------------|
|                      |                     | Crimp applicator | Dies          | Crimp applicator with dies |
| <b>SOM-21(T)-187</b> | AP-K2N              | MK-L             | MK/SOM-21-187 | APLMK SOM21-187            |
|                      |                     | —                | —             | —                          |

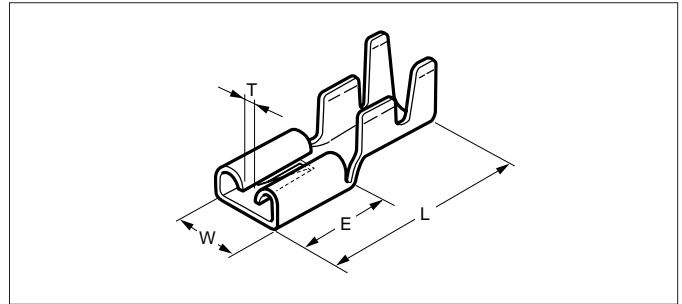
\* Refer to "General Instruction and Notice when using Terminals and Connectors" at the end of this catalog.

\* Contact JST for details.

\* Compliant with RoHS.

# TAB-IN/TAB-IN-TAB TERMINAL

## 250 Tab-in type

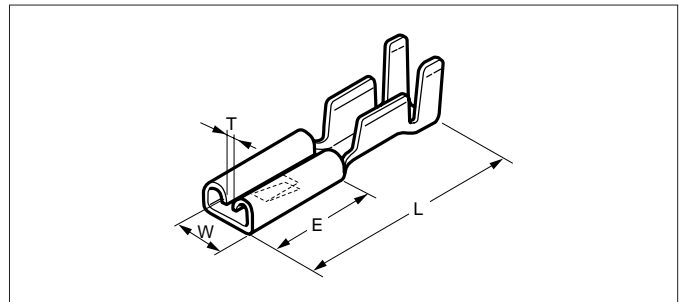


| Model No.    | Standard | Applicable wire |          |                            | Material | Finish     | Dimensions(mm) |      |     |              |                       | Q'ty/<br>reel      |               |
|--------------|----------|-----------------|----------|----------------------------|----------|------------|----------------|------|-----|--------------|-----------------------|--------------------|---------------|
|              |          | mm <sup>2</sup> | AWG #    | Insulation<br>O.D.<br>(mm) |          |            | W              | L    | E   | T<br>approx. | Material<br>thickness |                    | Mating<br>tab |
| STI-51-250N  |          | 0.5 to 2.0      | 20 to 14 | 2.6 to 3.8                 | Brass    | —          | 7.5            | 19.2 | 7.7 | 0.9          | 0.32                  | SIM-51<br>(T)-250N | 5,000         |
| STI-51T-250N |          |                 |          |                            |          | Tin-plated |                |      |     |              |                       |                    |               |

### RoHS compliance

- Note: 1. Combine a plated tab-in terminal with a plated tab and a non-plated tab-in terminal with a non-plated tab.  
 2. This terminal must be built into the model 250 tab-in housing which has numerous circuits, and it cannot be used independently. Model 250 tab-on terminals, however, can be used independently.  
 3. The above case does not apply when we confirm the condition of application and judge that there is no problem.

## 110 Tab-in type



| Model No.    | Standard | Applicable wire |          |                            | Material | Finish     | Dimensions(mm) |      |     |              |                       | Q'ty/<br>reel      |               |
|--------------|----------|-----------------|----------|----------------------------|----------|------------|----------------|------|-----|--------------|-----------------------|--------------------|---------------|
|              |          | mm <sup>2</sup> | AWG #    | Insulation<br>O.D.<br>(mm) |          |            | W              | L    | E   | T<br>approx. | Material<br>thickness |                    | Mating<br>tab |
| STI-01-110N  |          | 0.3 to 0.5      | 22 to 20 | 2.1 to 2.8                 | Brass    | —          | 3.7            | 15.3 | 6.3 | 0.7          | 0.25                  | SIM-01<br>(T)-110A | 10,000        |
| STI-01T-110N |          |                 |          |                            |          | Tin-plated |                |      |     |              |                       |                    |               |
| STI-41-110N  |          | 0.5 to 1.25     | 20 to 16 | 2.6 to 3.5                 | Brass    | —          | 3.7            | 15.3 | 6.3 | 0.7          | 0.25                  | SIM-41<br>(T)-110B | 10,000        |
| STI-41T-110N |          |                 |          |                            |          | Tin-plated |                |      |     |              |                       |                    |               |

### RoHS compliance

- Note: 1. Combine a plated tab-in terminal with a plated tab and a non-plated tab-in terminal with a non-plated tab.  
 2. This terminal must be built into the model 110 tab-in housing which has numerous circuits, and it cannot be used independently. Model 110 tab-on terminals, however, can be used independently.

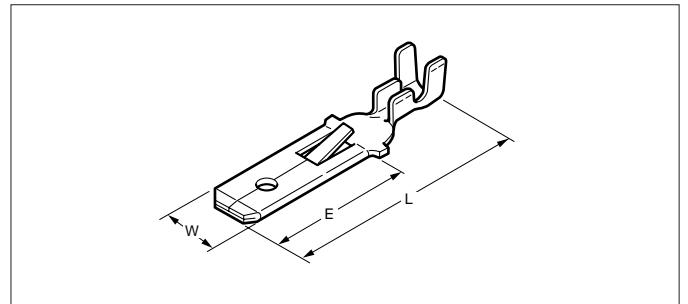
## Crimping machine, Applicator

| Contact        | Crimping<br>machine | Applicator       |                  |                               |
|----------------|---------------------|------------------|------------------|-------------------------------|
|                |                     | Crimp applicator | Dies             | Crimp applicator<br>with dies |
| STI-51(T)-250N | AP-K2N              | MK-L             | MK/STI-51-250N   | APLMK STI51-250N              |
|                |                     | —                | —                | —                             |
| MK-L           |                     | MK/STI-01-110N   | APLMK STI01-110N |                               |
| —              |                     | —                | —                |                               |
| STI-01(T)-110N |                     |                  |                  |                               |

| Contact        | Crimping<br>machine | Applicator       |                |                               |
|----------------|---------------------|------------------|----------------|-------------------------------|
|                |                     | Crimp applicator | Dies           | Crimp applicator<br>with dies |
| STI-41(T)-110N | AP-K2N              | MK-L             | MK/STI-41-110N | APLMK STI41-110N              |
|                |                     | —                | —              | —                             |

# TAB-IN/TAB-IN-TAB TERMINAL

## 250 Tab-in tab type

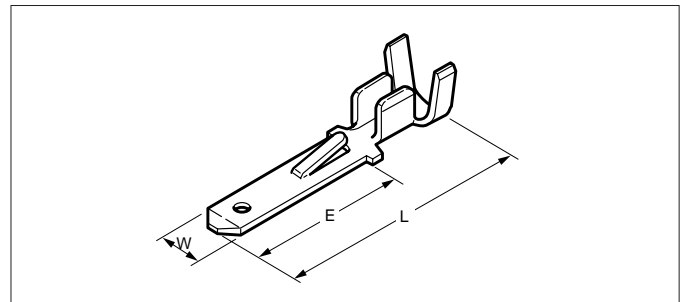



| Model No.            | Standard | Applicable wire |          |                            | Material | Finish     | Dimensions(mm) |      |      |                       |                  | Q'ty/<br>reel |
|----------------------|----------|-----------------|----------|----------------------------|----------|------------|----------------|------|------|-----------------------|------------------|---------------|
|                      |          | mm <sup>2</sup> | AWG #    | Insulation<br>O.D.<br>(mm) |          |            | W              | L    | E    | Material<br>thickness | Tab<br>thickness |               |
| <b>SIM-21-250</b>    |          | 0.3 to 0.75     | 22 to 18 | 2.2 to 3.2                 | Brass    | —          | 6.0            | 28.0 | 15.8 | 0.4                   | 0.84             | 5,000         |
| <b>SIM-21T-250</b>   |          |                 |          |                            |          | Tin-plated |                |      |      |                       |                  |               |
| <b>SIM-51-250N</b>   |          | 0.5 to 2.0      | 20 to 14 | 2.6 to 3.8                 |          | —          | 6.0            | 24.5 | 13.0 | 0.4                   |                  | 4,000         |
| <b>SIM-51T-250N</b>  |          |                 |          |                            |          | Tin-plated |                |      |      |                       |                  |               |
| <b>SIM-81PT-250N</b> |          | 1.25 to 3.5     | 16 to 12 | 3.0 to 4.0                 |          |            |                |      |      |                       | 3,000            |               |



RoHS compliance

Note: SIM-21 differs from SIM-51 in terminal size.

## 110 Tab-in tab type



 Listed E70188

| Model No.           | Standard  | Applicable wire |          |                            | Material | Finish     | Dimensions(mm) |      |      |                       |                  | Q'ty/<br>reel |
|---------------------|---|-----------------|----------|----------------------------|----------|------------|----------------|------|------|-----------------------|------------------|---------------|
|                     |   | mm <sup>2</sup> | AWG #    | Insulation<br>O.D.<br>(mm) |          |            | W              | L    | E    | Material<br>thickness | Tab<br>thickness |               |
| <b>SIM-01-110A</b>  |  | 0.3 to 0.5      | 22 to 20 | 2.1 to 2.8                 | Brass    | —          | 2.8            | 20.6 | 12.0 | 0.5                   | 0.5              | 7,500         |
| <b>SIM-01T-110A</b> |   |                 |          |                            |          | Tin-plated |                |      |      |                       |                  |               |
| <b>SIM-41-110B</b>  |  | 0.5 to 1.25     | 20 to 16 | 2.6 to 3.5                 |          | —          | 2.8            | 20.6 | 12.0 | 0.5                   | 0.5              | 7,500         |
| <b>SIM-41T-110B</b> |   |                 |          |                            |          | Tin-plated |                |      |      |                       |                  |               |

RoHS compliance

## Crimping machine, Applicator

| Contact               | Crimping<br>machine | Applicator       |                |                            |
|-----------------------|---------------------|------------------|----------------|----------------------------|
|                       |                     | Crimp applicator | Dies           | Crimp applicator with dies |
| <b>SIM-21(T)-250</b>  | AP-K2N              | MK-L             | MK/SIM-21-250  | APLMK SIM21-250            |
|                       |                     | —                | —              | —                          |
| <b>SIM-51(T)-250N</b> |                     | MK-L             | MK/SIM-51-250N | APLMK SIM51-250N           |
|                       |                     | —                | —              | —                          |
| <b>SIM-81PT-250N</b>  |                     | MK-L             | MK/SIM-81-250N | APLMK SIM81-250N           |
|                       |                     | —                | —              | —                          |

| Contact                | Crimping<br>machine | Applicator       |                |                            |
|------------------------|---------------------|------------------|----------------|----------------------------|
|                        |                     | Crimp applicator | Dies           | Crimp applicator with dies |
| <b>SIM-01(T)-110A</b>  | AP-K2N              | MK-L             | MK/SIM-01-110A | APLMK SIM01-110A           |
|                        |                     | —                | —              | —                          |
| <b>SIM-41(T)-2110B</b> |                     | MK-L             | MK/SIM-41-110B | APLMK SIM41-110B           |
|                        |                     | —                | —              | —                          |

\* Refer to "General Instruction and Notice when using Terminals and Connectors" at the end of this catalog.

\* Contact JST for details.

\* Compliant with RoHS.

## X-ON Electronics

Largest Supplier of Electrical and Electronic Components

*Click to view similar products for [Terminals](#) category:*

*Click to view products by [JST](#) manufacturer:*

Other Similar products are found below :

[00-054007-01074-6](#) [00-054007-70206-1](#) [00-054007-70210-8](#) [00-054007-70217-7](#) [00-054007-70228-3](#) [00-054007-70256-6](#) [00-054007-70316-7](#) [00-054007-49560-4](#) [00-054007-70209-2](#) [00-054007-70231-3](#) [00-054007-70241-2](#) [00-054007-70242-9](#) [00-054007-70246-7](#) [00-054007-70263-4](#) [00-054007-70288-7](#) [00-054007-70290-0](#) [00-054007-70300-6](#) [00-054007-70304-4](#) [01-2900-1-04412](#) [00581P0075](#) [600TS-10](#) [60205-1](#) [604200-1](#) [605601-1](#) [60598-1-CUT-TAPE](#) [60617-1-C](#) [61314-6-C](#) [61810-3](#) [62149-1](#) [626-0194](#) [62-NBM-A](#) [62-SP](#) [63-S](#) [M55155/059I03](#) [M55155/079C01](#) [M55155/099B03](#) [M55155/099H02](#) [M55155/109H01](#) [M55155/109H02](#) [M55155/12XH05](#) [M55155/16XH02](#) [M55155/29-5S](#) [M55155/29XJ08](#) [M55155/30-6S](#) [M55155/30-9S](#) [M55155/30XI09](#) [696683-1](#) [696861-1](#) [696999-1](#) [M86700006](#)