



# PS CONNECTOR

## Connectors for tabs

- **Secure locking, easy insertion**
- **Stable contact performance**
- **Mis-insertion prevention mechanism and housing lance**
- **Tab mis-mating prevention mechanism (Short housing type)**
- **The product compatible with glow wire is also available for short housing type.**

### Standards

Recognized E60389

Certified LR20812

R9850196

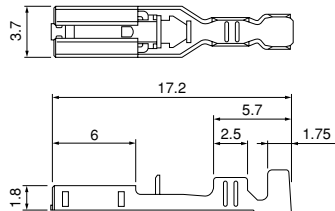
### Specifications

- Current rating: 25 A AC, DC (#250 Tab/AWG #10)
  - Voltage rating: 250 V AC, DC
  - Temperature range: -40°C to +105°C  
(including temperature rise in applying electrical current)
  - Contact resistance: Initial value/ 3 mΩ max.  
After environmental tests/ 6 mΩ max.
  - Insulation resistance: 1,000 MΩ min.
  - Withstanding voltage: 2,000 VAC/minute
  - Applicable wire: #110...AWG #24 to #16 #187...AWG #26 to #14  
#205...AWG #22 to #14 #250...AWG #22 to #10
  - Applicable Tab: #110 Tab 0.5 mm thick  
#187 Tab 0.5 mm/ 0.8 mm thick  
#205 Tab 0.5 mm/ 0.8 mm thick  
#250 Tab 0.8 mm thick
- \* Contact JST when you use the glow wire correspondence product of PS-250-G (Short housing type).  
\* Refer to "General Instruction and Notice when using Terminals and Connectors" at the end of this catalog.  
\* Contact JST for details.  
\* Compliant with RoHS.

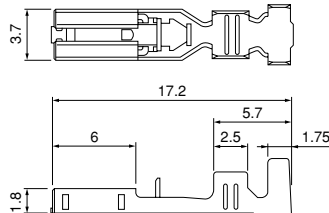
### Contact

#### #110 Series

##### SPS-01T-110



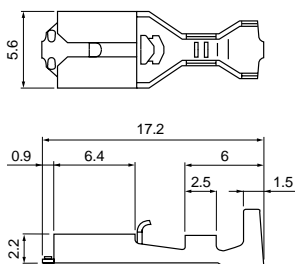
##### SPS-41T-110



#### #187 Series

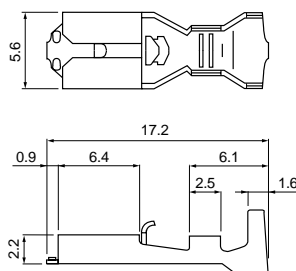
##### SPS-01T-187

(for 0.5 mm thick tabs)



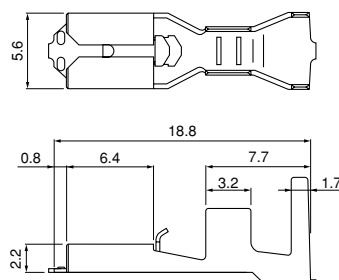
##### SPS-51T-187

(for 0.5 mm thick tabs)



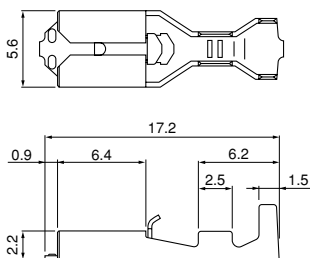
##### SPS-82T-187

(for 0.5 mm thick tabs)



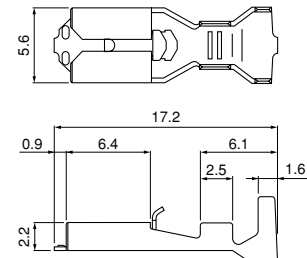
##### SPS-01T-187-8

(for 0.8 mm thick tabs)



##### SPS-51T-187-8

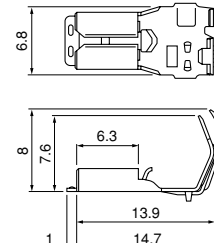
(for 0.8 mm thick tabs)



#### <Flag type>

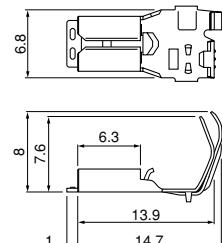
##### SFPS-41T-187

(for 0.5 mm thick tabs)



##### SFPS-41T-187-8

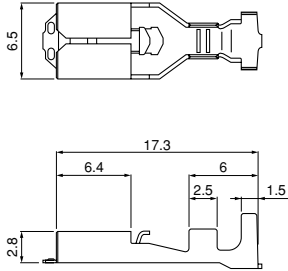
(for 0.8 mm thick tabs)



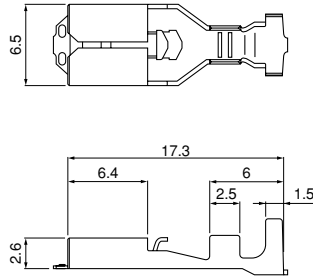
## Contact

### #205 Series

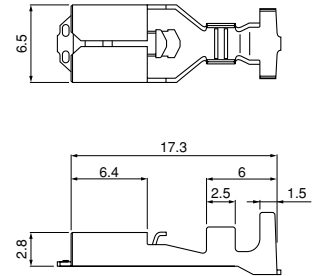
**SPS-21T-205**  
(for 0.8 mm thick tabs)



**SPS-21T-205-5**  
(for 0.5 mm thick tabs)

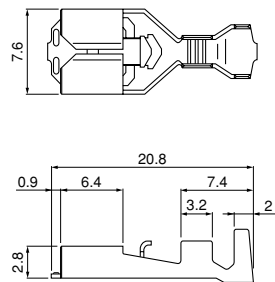


**SPS-51T-205**  
(for 0.8 mm thick tabs)

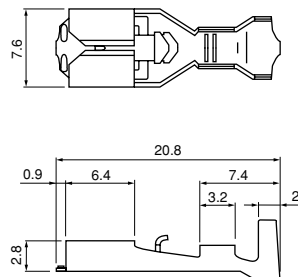


### #250 Series

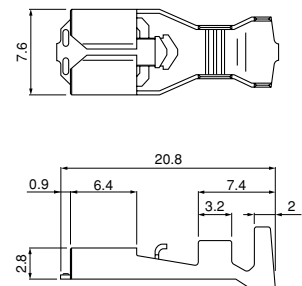
**SPS-21T-250**



**SPS-61T-250**

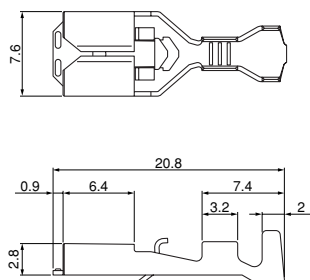


**SPS-91T-250**

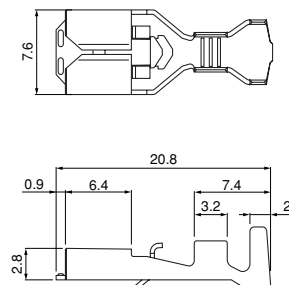


### <Short housing type>

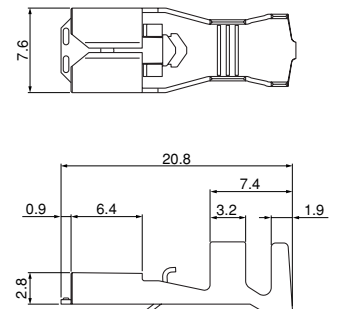
**SPS-21T-250R**



**SPS-61T-250R**



**SPS-91T-250R**



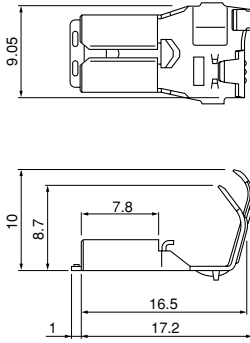
# PS CONNECTOR

## Contact

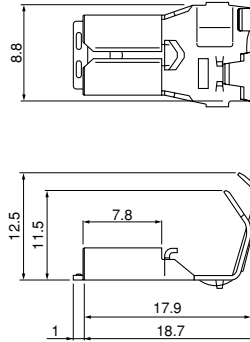
### #250 Series

<Flag type>

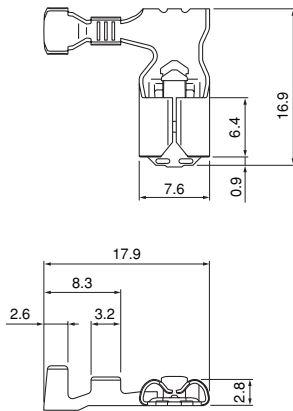
SFPS-61T-250



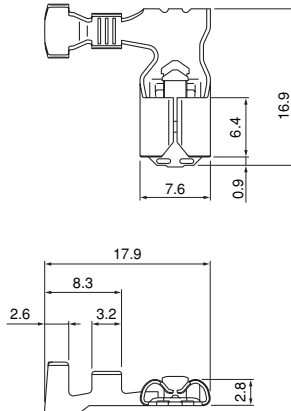
SFPS-91T-250



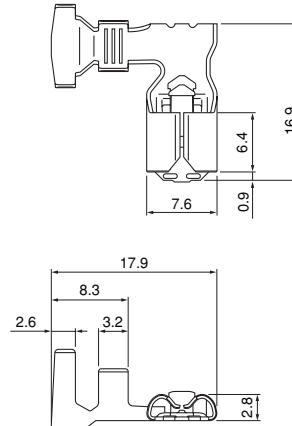
SFPS-21T-250H



SFPS-61T-250H

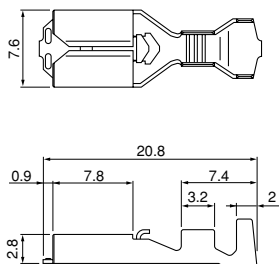


SFPS-91T-250H

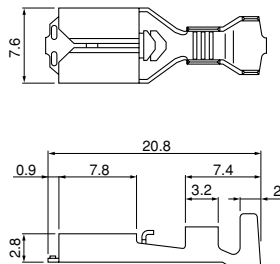


### #250S Series

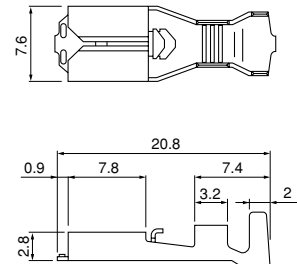
SPS-21T-250S



SPS-61T-250S



SPS-91T-250S



## Contact

Series	Model No.	Applicable wire		Insulation O.D.(mm)	Q'ty/reel	
		mm <sup>2</sup>	AWG #			
#110	SPS-01T-110	0.21~0.5	24~20	1.0~2.5	10,000	
	SPS-41T-110	0.5 ~ 1.31	20~16	1.9~3.4	10,000	
#187	for 0.5 mm thick tabs	SPS-01T-187	0.13~0.5	26~20	1.3~3.4	
		SPS-51T-187	0.5 ~ 2.0	20~14	1.9~3.6	
		*SPS-82T-187	0.75+0.75~1.25+1.25	18+18~16+16	2.1+2.1~2.9+2.9	3,500
	for 0.8 mm thick tabs	SPS-01T-187-8	0.13~0.5	26~20	1.3~3.4	10,000
		SPS-51T-187-8	0.5 ~ 2.0	20~14	1.9~3.6	7,500
#187 flag	for 0.5 mm thick tabs	SFPS-41T-187	0.3 ~ 1.25	22~16	1.7~3.4	5,000
	for 0.8 mm thick tabs	SFPS-41T-187-8	0.3 ~ 1.31	22~16	1.7~3.4	5,000
#205	for 0.8 mm thick tabs	SPS-21T-205	0.3 ~ 0.75	22~18	1.5~3.1	5,000
	for 0.5 mm thick tabs	SPS-21T-205-5	0.3 ~ 0.75	22~18	1.5~3.1	5,000
	for 0.8 mm thick tabs	SPS-51T-205	0.5 ~ 2.0	20~14	1.9~3.6	5,000
#250	SPS-21T-250	0.3 ~ 0.75	22~18	1.5~3.1	5,000	
	SPS-21T-250R	0.3 ~ 0.75	22~18	1.5~3.1	3,500	
	SPS-61T-250	0.75~2.0	18~14	2.1~3.9	5,000	
	SPS-61T-250R	0.75~2.0	18~14	2.1~3.9	3,500	
	SPS-91T-250	2.0 ~ 5.5	14~10	3.0~4.7	4,000	
	SPS-91T-250R	2.0 ~ 5.5	14~10	3.0~4.7	3,500	
#250 flag	SFPS-61T-250	0.75~2.0	18~14	2.1~3.9	3,000	
	SFPS-91T-250	3.5 ~ 5.5	12~10	4.0~5.2	2,000	
	SFPS-21T-250H	0.3 ~ 0.75	22~18	1.5~3.1	1,300	
	SFPS-61T-250H	0.75~2.0	18~14	2.1~3.9	1,300	
	SFPS-91T-250H	2.0~5.5, 1.25+1.25~2.0+2.0	14~10, 16+16~14+14	3.5~7.2, 1.75+1.75~3.6+3.6	1,300	
#250S	SPS-21T-250S	0.3 ~ 0.75	22~18	1.5~3.1	5,000	
	SPS-61T-250S	0.75~2.0	18~14	2.1~3.9	5,000	
	SPS-91T-250S	2.0 ~ 5.5	14~10	3.0~4.7	4,000	

### Material and Finish

Brass, tin-plated (reflow treatment)

### RoHS compliance

Note: \*Marked product is not approved by CSA/TÜV standards.

Contact	Crimping machine	Applicator		
		Crimp applicator	Dies	Crimp applicator with dies
SPS-01T-110	AP-K2N	MK-L-SPS	MK/SPS-01-110	APLMK SPS01-110
		—	—	—
SPS-41T-110		MK-L-SPS	MK/SPS-41-110	APLMK SPS41-110
		—	—	—
SPS-01T-187 (-8)		MK-L-SPS	MK/SPS-01-187	APLMK SPS01-187
—		—	—	—
SPS-51T-187 (-8)		MK-L-SPS	MK/SPS-51-187	APLMK SPS51-187
—		—	—	—
SPS-82T-187		MK-L-SPS	MK/SPS-82-187	APLMK SPS82-187
—		—	—	—
SFPS-41T-187 (-8)		MKF-L-PS187	MK/SFPS-41-187	APL SFPS41-187
—		—	—	—
SPS-21T-205 (-5)		MK-L-SPS	MK/SPS-21-205	APLMK SPS21-205
—		—	—	—
SPS-51T-205		MK-L-SPS	MK/SPS-51-205	APLMK SPS51-205
—		—	—	—
SPS-21T-250 (S)	MK-L-SPS	MK/SPS-21-250	APLMK SPS21-250	
—	—	—	—	
SPS-21T-250R	MK-L-SPS	MK/SPS-21-250R	APLMK SPS21-250R	
—	—	—	—	

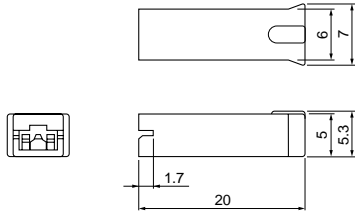
Contact	Crimping machine	Applicator		
		Crimp applicator	Dies	Crimp applicator with dies
SPS-61T-250 (S)	AP-K2N	MK-L-SPS	MK/SPS-61-250	APLMK SPS61-250
		—	—	—
SPS-61T-250R		MK-L-SPS	MK/SPS-61-250R	APLMK SPS61-250R
		—	—	—
SPS-91T-250 (S)		MK-L-SPS	MK/SPS-91-250	APLMK SPS91-250
		—	—	—
SPS-91T-250R		MK-L-SPS	MK/SPS-91-250R	APLMK SPS91-250R
		—	—	—
SFPS-61T-250		MKF-L-PS250	MK/SFPS-61-250	APL SFPS61-250
		—	—	—
SFPS-91T-250		MKF-L-PS9250	MK/SFPS-91-250	APL SFPS91-250
		—	—	—
SFPS-21T-250H		MKS-L-RASRSF	MK/SFPS-21-250H	APLMK SFPS21-250H
		—	—	—
SFPS-61T-250H		MKS-L-RASRSF	MK/SFPS-61-250H	APLMK SFPS61-250H
		—	—	—
SFPS-91T-250H	MKS-L-RASRSF	MK/SFPS-91-250H	APLMK SFPS91-250H	
	—	—	—	

# PS CONNECTOR

## Housing

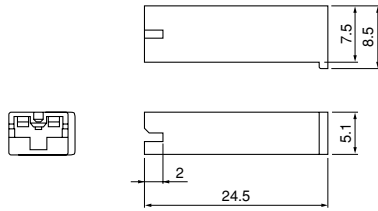
### #110 Series

#### PS-110

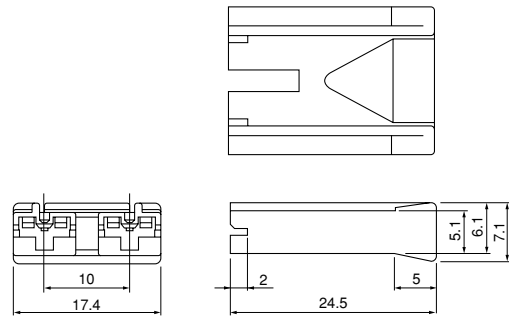


### #187 Series

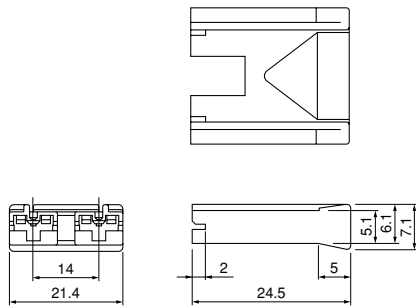
#### PS-187



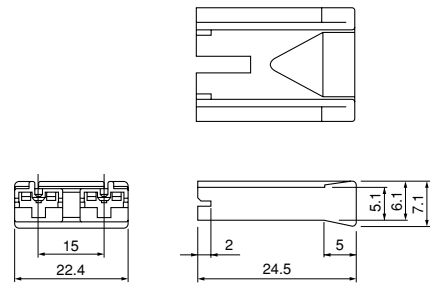
#### PS-187-2A-10



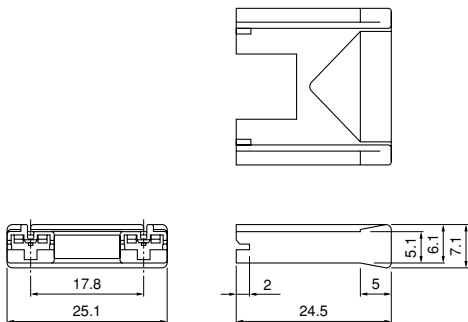
#### PS-187-2A-14



#### PS-187-2A-15



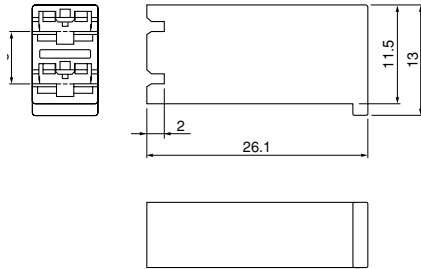
#### PS-187-2A-17.8



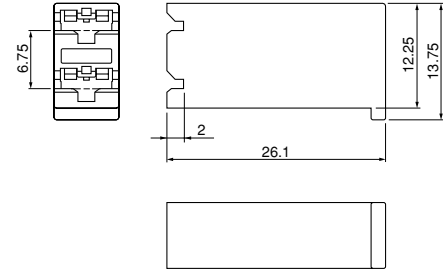
## Housing

### #187 Series

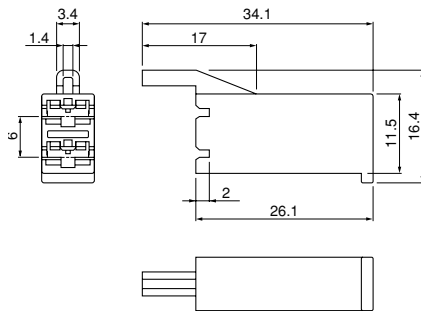
PS-187-2B



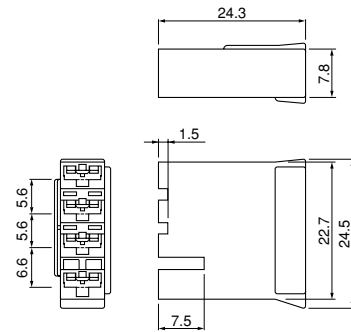
PS-187-2B-6.75



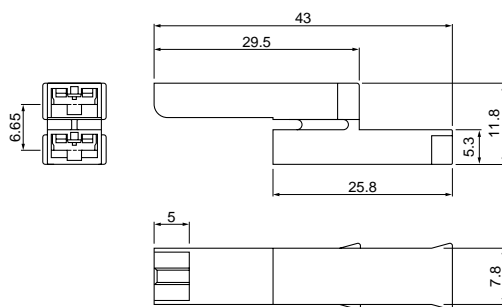
PS-187-2B1



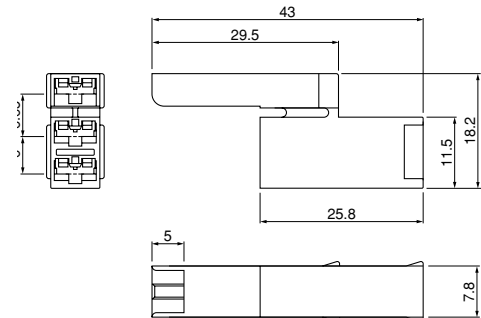
PS-187-4B



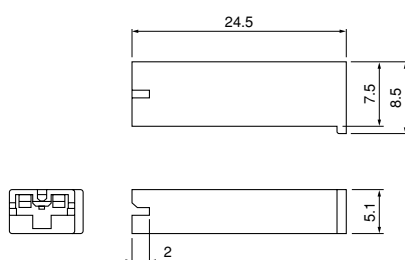
PS-187-2V



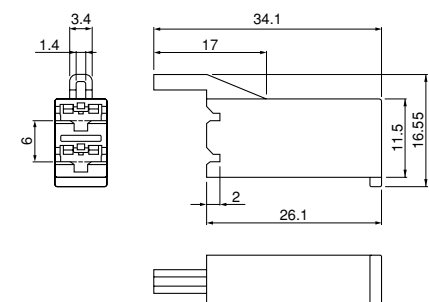
PS-187-3V



PS-187-8-H



PS-187-2B1-8-H

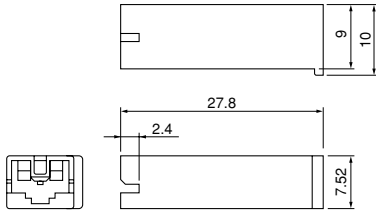


# PS CONNECTOR

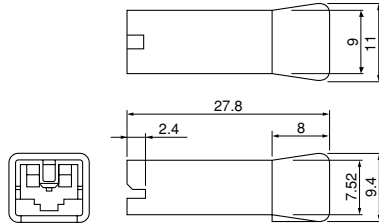
## Housing

### #250 Series

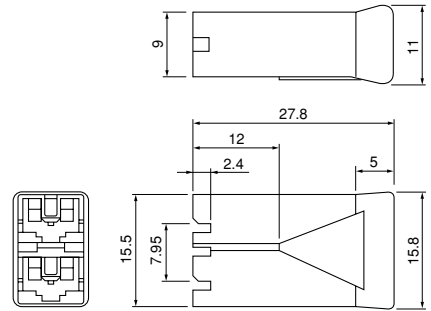
#### PS-250



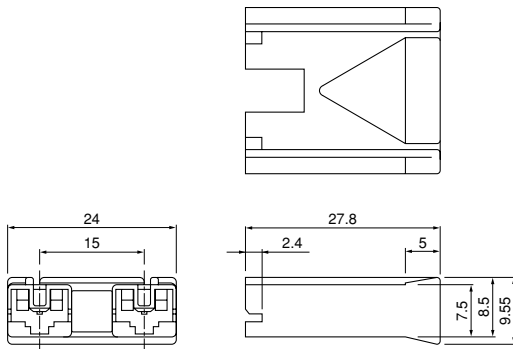
#### PS-250-A



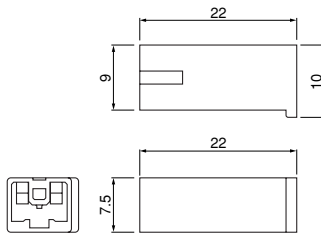
#### PS-250-2B



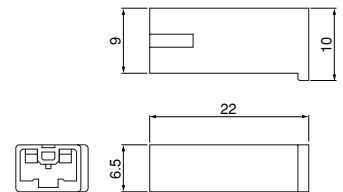
#### PS-250-2A-15



#### <Short housing type> PS-250-G (-WGJ2)

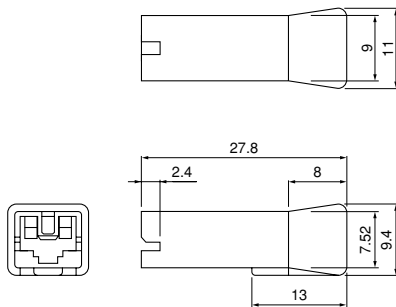


#### PS-250-GL (Thin type)



### #250S Series

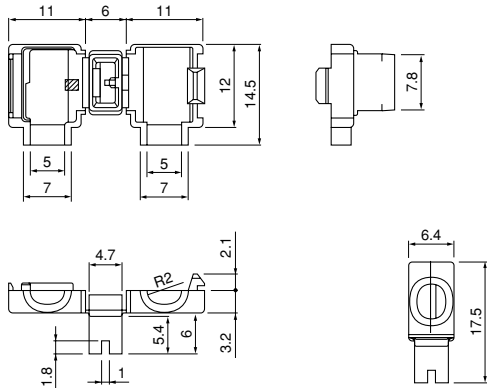
#### NPS-250-A



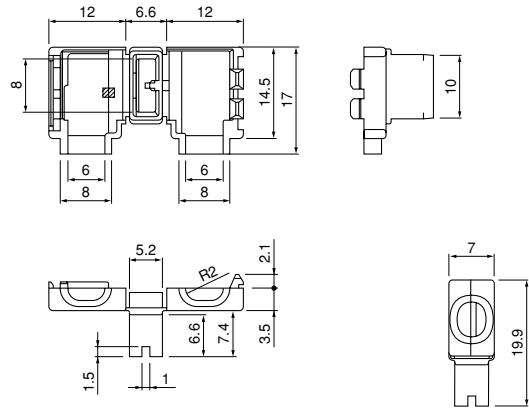
## Housing

### One-touch sleeve

#### FPS-187



#### FPS-250



Series	Model No.	Q'ty/bag	Applicable terminal
#110	PS-110	1,000	SPS-01T-110, SPS-41T-110
#187	PS-187	1,000	SPS-01T-187 SPS-51T-187 SPS-82T-187
	PS-187-2A-10	500	
	PS-187-2A-14	500	
	PS-187-2A-15	500	
	PS-187-2A-17.8	500	
	PS-187-2B	500	
	PS-187-2B-6.75	500	
	PS-187-2B1	500	
	PS-187-4B	500	
	PS-187-2V	500	
	PS-187-3V	500	
#250	PS-250	1,000	SPS-21T-250 SPS-61T-250 SPS-91T-250
	PS-250-A	500	
	PS-250-2B	500	
#250S	PS-250-2A-15	500	SPS-21T-250R SPS-61T-250R SPS-91T-250R
	PS-250-G	1,400	
	PS-250-GL	1,400	
	PS-250-G-WGJ2 (Compatible with glow wire)	1,400	
#250S	NPS-250-A	1,000	SPS-21T-250S SPS-61T-250S SPS-91T-250S
One-touch sleeve	* FPS-187	500	SFPS-41T-187
	* FPS-250	500	SFPS-61T-250

### Material and Finish

PA 66, UL94V-0, natural (white)  
 UL94V-0, gray <\*-marked housing...for 0.8 mm thick tabs>  
 PA 6, UL94V-2, natural (white) (Compatible with glow wire)

### RoHS compliance

Note: FPS-187 and FPS-250 are UL recognized with File No. E55167 and CSA certified with File No. LR83372, but not TÜV approved.

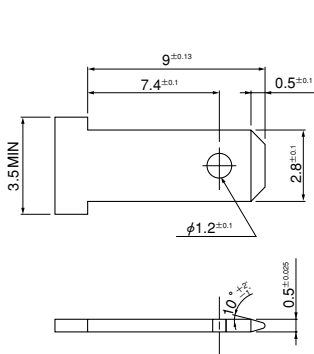


# PS CONNECTOR

## Applicable tab

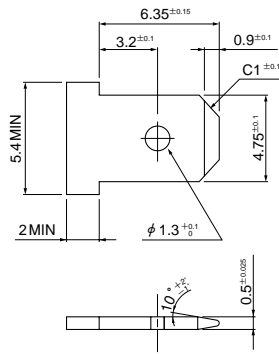
### #110

(for 0.5 mm thick tabs)

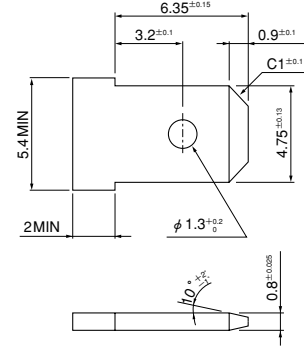


### #187

(for 0.5 mm thick tabs)

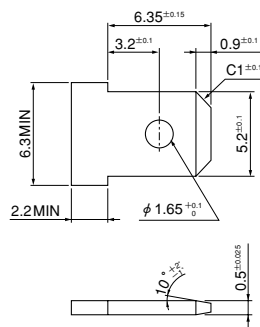


(for 0.8 mm thick tabs)

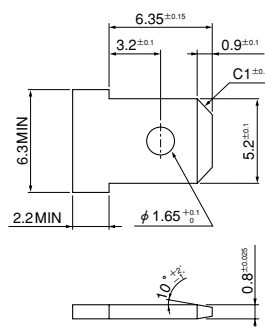


### #205

(for 0.5 mm thick tabs)

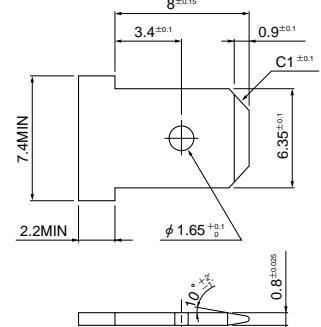


(for 0.8 mm thick tabs)



### #250

(for 0.8 mm thick tabs)



Note: 1. Contact JST when using PS connector for Micro-switch.

2. Make sure there are no unneeded ribs or other protuberances on tab surfaces.

3. Use the brass product for material.

4. Contact JST when using PS-187-4B.

## X-ON Electronics

Largest Supplier of Electrical and Electronic Components

*Click to view similar products for [Terminals](#) category:*

*Click to view products by [JST](#) manufacturer:*

Other Similar products are found below :

[00-054007-01074-6](#) [00-054007-70206-1](#) [00-054007-70210-8](#) [00-054007-70217-7](#) [00-054007-70228-3](#) [00-054007-70256-6](#) [00-054007-70316-7](#) [00-054007-49560-4](#) [00-054007-70209-2](#) [00-054007-70231-3](#) [00-054007-70241-2](#) [00-054007-70242-9](#) [00-054007-70246-7](#) [00-054007-70263-4](#) [00-054007-70288-7](#) [00-054007-70290-0](#) [00-054007-70300-6](#) [00-054007-70304-4](#) [01-2900-1-04412](#) [00581P0075](#) [600TS-10](#) [60205-1](#) [604200-1](#) [605601-1](#) [60598-1-CUT-TAPE](#) [60617-1-C](#) [61314-6-C](#) [61810-3](#) [62149-1](#) [626-0194](#) [62-NBM-A](#) [62-SP](#) [63-S](#) [M55155/059I03](#) [M55155/079C01](#) [M55155/099B03](#) [M55155/099H02](#) [M55155/109H01](#) [M55155/109H02](#) [M55155/12XH05](#) [M55155/16XH02](#) [M55155/29-5S](#) [M55155/29XJ08](#) [M55155/30-6S](#) [M55155/30-9S](#) [M55155/30XI09](#) [696683-1](#) [696861-1](#) [696999-1](#) [M86700006](#)