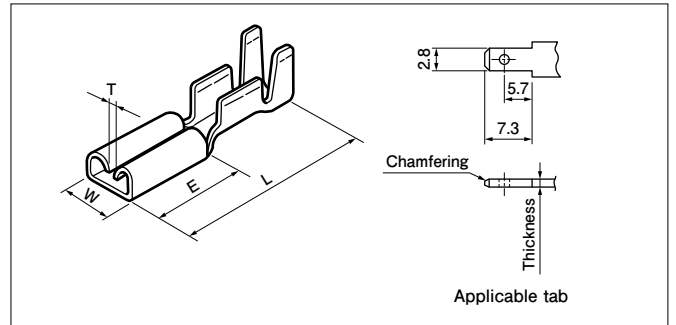


# TAB-ON TERMINAL

## #110 Tab-on type

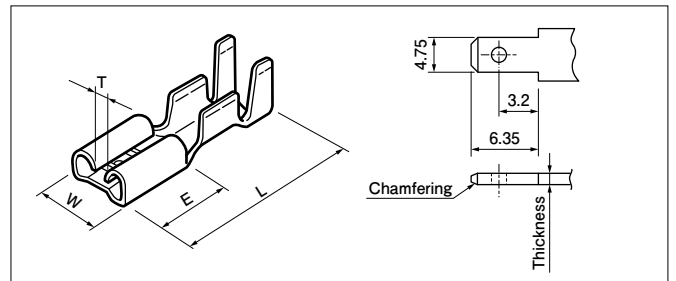


Listed E70188 (Except when AWG#24 is applied)
 Recognized E70188 (AWG#24)
 Certified LR20812

Model No.	Standard	Applicable wire			Material	Surface finish	Dimensions (mm)				Material thickness	Applicable tab thickness	Q'ty/reel
		mm <sup>2</sup>	AWG#	Insulation O.D. (mm)			W	L	E	T			
STO-01-110N		0.2 to 0.5	24 to 20	2.1 to 2.8	Brass	—	3.7	15.4	6.3	(0.6)	0.25	0.5	10,000
STO-01T-110N						Tin-plated						0.8	
STO-01-110N-8						—						0.5	
STO-01T-110N-8						Tin-plated						0.8	
STO-41-110N		0.5 to 1.25	20 to 16	2.6 to 3.5	Brass	—	3.7	15.4	6.3	(0.6)	0.25	0.5	10,000
STO-41T-110N						Tin-plated						0.8	
STO-41-110N-8						—						0.5	
STO-41T-110N-8						Tin-plated						0.8	

RoHS2 compliance

## #187 Tab-on type



Listed E70188 (Except when AWG#24 is applied)
 Certified LR20812

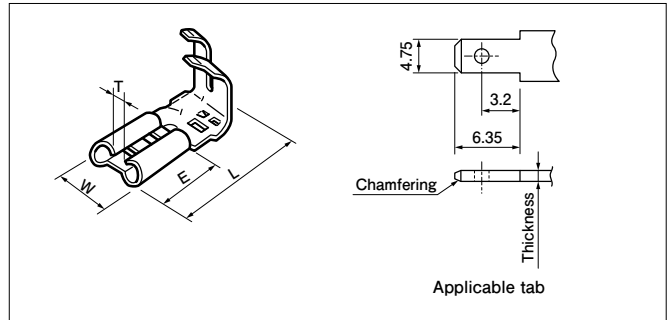
Model No.	Standard	Applicable wire			Material	Surface finish	Dimensions (mm)				Material thickness	Applicable tab thickness	Q'ty/reel
		mm <sup>2</sup>	AWG#	Insulation O.D. (mm)			W	L	E	T			
STO-01-187N		0.2 to 0.5	24 to 20	1.5 to 2.6	Brass	—	5.6	15.0	6.3	(1.5)	0.32	0.5	10,000
STO-01T-187N						Tin-plated						0.8	
STO-01-187N-8						—						0.5	
STO-01T-187N-8						Tin-plated						0.8	
STO-41-187N		0.5 to 1.25	20 to 16	2.6 to 3.5	Brass	—	5.6	15.0	6.3	(1.5)	0.32	0.5	10,000
STO-41T-187N						Tin-plated						0.8	
STO-41-187N-8						—						0.5	
STO-41T-187N-8						Tin-plated						0.8	
* STO-62T-187N		UL1015 #20 + UL1015 #20 UL1015 #20 + UL1015 #18 UL1015 #18 + UL1015 #18			Brass	Tin-plated	5.6	19.6	6.4	(1.5)	0.32	0.5	4,000
* STO-82T-187N		UL1015 #18 + UL1015 #18 UL1015 #18 + UL1015 #16 UL1015 #16 + UL1015 #16			Brass	Tin-plated	5.6	19.6	6.4	(1.5)	0.32	0.5	4,000

RoHS2 compliance

Note: Terminal denoted by \* is used only for two wires. If using wires in other combinations than the ones shown above, contact JST.

# TAB-ON TERMINAL

## #187 Tab-on flag type



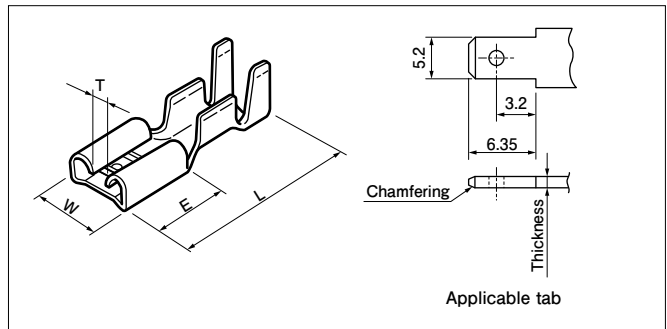
Listed E70188

Certified LR20812

Model No.	Standard	Applicable wire			Material	Surface finish	Dimensions (mm)						Q'ty/ reel
		mm <sup>2</sup>	AWG#	Insulation O.D. (mm)			W	L	E	T	Material thickness	Applicable tab thickness	
SFO-41-187N		0.5 to 1.25	20 to 16	2.6 to 3.5	Brass	—	5.6	12.3	6.4	(1.0)	0.32	0.5	5,000
SFO-41T-187N						Tin-plated							
SFO-41-187N-8						—							
SFO-41T-187N-8						Tin-plated							

RoHS2 compliance

## #205 Tab-on type



Listed E70188

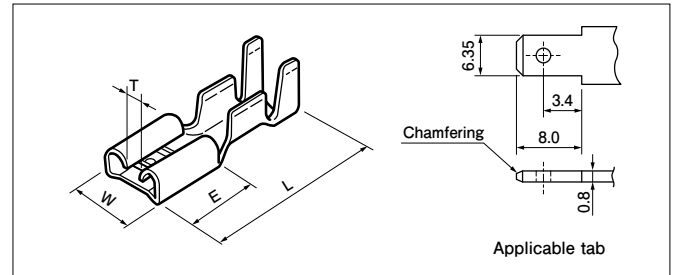
Certified LR20812

Model No.	Standard	Applicable wire			Material	Surface finish	Dimensions (mm)						Q'ty/ reel
		mm <sup>2</sup>	AWG#	Insulation O.D. (mm)			W	L	E	T	Material thickness	Applicable tab thickness	
STO-21-205N-5		0.3 to 0.75	22 to 18	2.3 to 3.0	Brass	—	6.4	15.9	6.4	(0.7)	0.4	0.5	7,500
STO-21T-205N-5						Tin-plated							
STO-21T-205N						Tin-plated							

RoHS2 compliance

# TAB-ON TERMINAL

## #250 Tab-on type

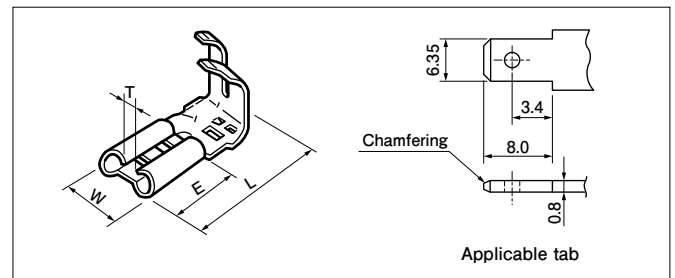


UL LISTED E70188      SPC Certified LR20812

Model No.	Standard	Applicable wire			Material	Surface finish	Dimensions (mm)					Q'ty/reel	
		mm <sup>2</sup>	AWG#	Insulation O.D. (mm)			W	L	E	T	Material thickness		Applicable tab thickness
STO-21-250N	UL LISTED SPC	0.3 to 0.75	22 to 18	2.3 to 3.0	Brass	—	7.7	19.0	7.8	(2.4)	0.4	0.8	5,000
STO-21T-250N						Tin-plated							
STO-61-250N	UL LISTED SPC	0.75 to 2.0	18 to 14	2.8 to 3.8		—	7.6	19.6	8.0	(1.6)	0.45		
STO-61T-250N						Tin-plated							
STO-81-250N	UL LISTED SPC	2.0 to 3.5	14 to 12	3.8 to 5.0		—	7.6	19.0	8.0	(1.6)	0.45		
STO-81T-250N						Tin-plated							
*STO-62T-250N		UL1015 #20 + UL1015 #20 UL1015 #20 + UL1015 #18 UL1015 #18 + UL1015 #18				Tin-plated						5,000	

RoHS2 compliance  
 Note: Terminal denoted by \* is used only for two wires. If using wires in other combinations than the ones shown above, contact JST.

## #250 Tab-on flag type



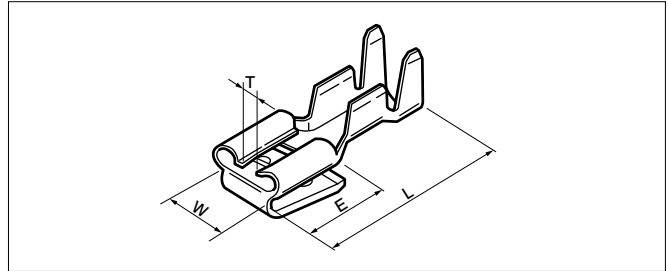
UL LISTED E70188      SPC Certified LR20812

Model No.	Standard	Applicable wire			Material	Surface finish	Dimensions (mm)					Q'ty/reel	
		mm <sup>2</sup>	AWG#	Insulation O.D. (mm)			W	L	E	T	Material thickness		Applicable tab thickness
SFO-61-250A	UL LISTED SPC	0.75 to 2.0	18 to 14	2.8 to 3.8	Brass	—	8.0	(16.1)	7.8	(3.0)	0.45	0.8	3,000
SFO-61T-250A						Tin-plated							

RoHS2 compliance

# TAB-ON TERMINAL

## #250 Tab-on piggyback type



UL LISTED E70188

CS Certified LR20812

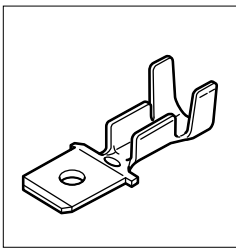
Model No.	Standard	Applicable wire			Material	Surface finish	Dimensions (mm)					Q'ty/reel	
		mm <sup>2</sup>	AWG#	Insulation O.D. (mm)			W	L	E	T	Material thickness		Applicable tab thickness
SFT-61T-250N	UL LISTED CS	0.75 to 2.0	18 to 14	2.8 to 3.9	Brass	Tin-plated	7.6	19.6	8.3	(2.9)	0.39	0.8	3,000

RoHS2 compliance

## Crimping machine, Applicator

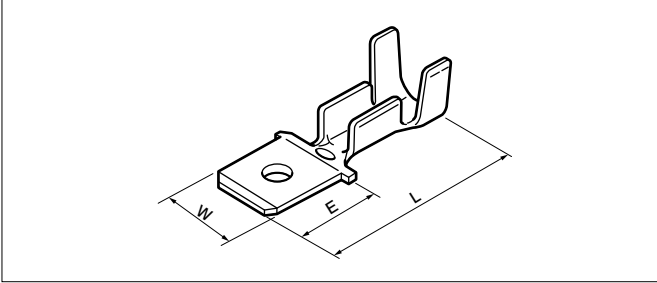
Contact	Crimping machine	Applicator	Crimp applicator with dies
STO-01 (T)-110N (-8)	AP-K2N	MK-L	APLMK STO01-110N
STO-41 (T)-110N (-8)			APLMK STO41-110N
STO-01 (T)-187N (-8)			APLMK STO01-187N
STO-41 (T)-187N (-8)			APLMK STO41-187N
STO-62 (T)-187N		MK-L-187	APLMK STO62-187N
STO-82 (T)-187N			APLMK STO82-187N
SFO-41 (T)-187N (-8)		MKF-L-187	APL SFO41-187N
STO-21 (T)-205N (-5)		MK-L	APLMK STO21-205N
STO-21 (T)-250N			APLMK STO21-250N
STO-61 (T)-250N			APLMK STO61-250N
STO-81 (T)-250N			APLMK STO81-250N
STO-62 (T)-250N			APLMK STO62-250N
SFO-61 (T)-250A		MKF-L-250	APL SFO61-250A
SFT-61 (T)-250N		MKS-L	APLMK SFT61-250N

Note: Contact JST for fully automatic crimping applicator.



# TAB-ON-TAB TERMINAL

## #187 Tab-on tab type

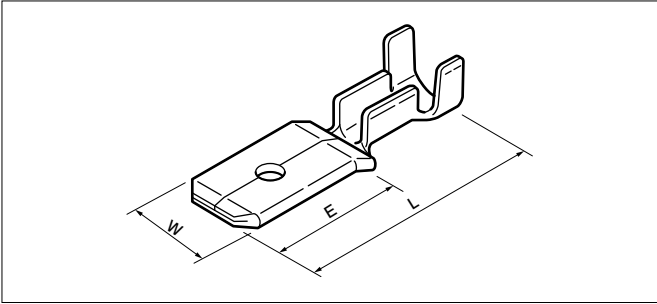


Listed E70188

Model No.	Standard	Applicable wire			Material	Surface finish	Dimensions (mm)					Q'ty/ reel
		mm <sup>2</sup>	AWG#	Insulation O.D. (mm)			W	L	E	Material thickness	Tab thickness	
SOM-21-187		0.3 to 0.75	22 to 18	2.3 to 3.0	Brass	—	4.8	17.2	6.4	0.5	0.5	10,000
SOM-21T-187						Tin-plated						

RoHS2 compliance

## #250 Tab-on tab type



Listed E70188

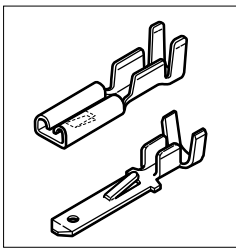
Model No.	Standard	Applicable wire			Material	Surface finish	Dimensions (mm)					Q'ty/ reel
		mm <sup>2</sup>	AWG#	Insulation O.D. (mm)			W	L	E	Material thickness	Tab thickness	
SOM-51-250		0.5 to 2.0	20 to 14	2.6 to 3.8	Brass	—	6.4	20.8	11.6	0.4	0.8	5,000
SOM-51T-250						Tin-plated						

RoHS2 compliance

## Crimping machine, Applicator

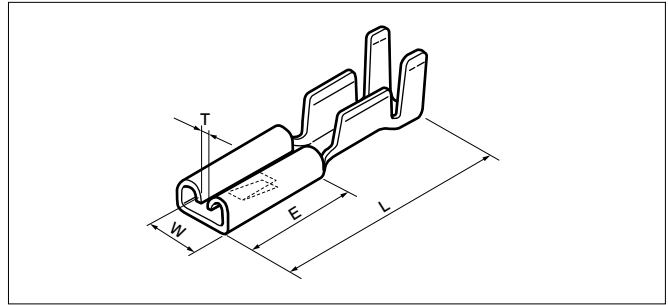
Contact	Crimping machine	Applicator	Crimp applicator with dies
SOM-21(T)-187	AP-K2N	MK-L	APLMK SOM21-187
SOM-51(T)-250			APLMK SOM51-250

Note: Contact JST for fully automatic crimping applicator.



# TAB-IN/TAB-IN-TAB TERMINAL

## #110 Tab-in type

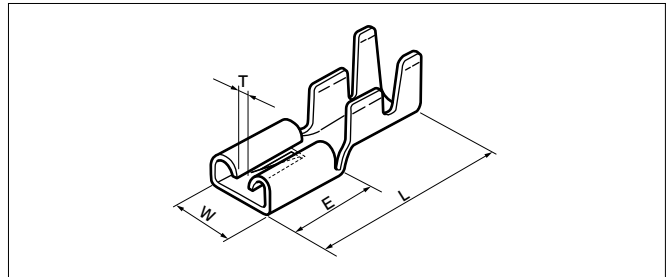


Model No.	Standard	Applicable wire			Material	Surface finish	Dimensions (mm)					Q'ty/reel	
		mm <sup>2</sup>	AWG#	Insulation O.D. (mm)			W	L	E	T	Material thickness		Applicable tab thickness
STI-01-110N		0.3 to 0.5	22 to 20	2.1 to 2.8	Brass	—	3.7	15.3	6.3	(0.7)	0.25	SIM-01 (T)-110A	10,000
STI-01T-110N						Tin-plated							
STI-41T-110N		0.5 to 1.25	20 to 16	2.6 to 3.5		Tin-plated							

### RoHS2 compliance

- Note: 1. Combine a plated tab-in terminal with a plated tab and a non-plated tab-in terminal with a non-plated tab.  
 2. This terminal must be built into the model 110 tab-in housing which has numerous circuits, and it cannot be used independently.  
 Model 110 tab-on terminals, however, can be used independently.

## #250 Tab-in type



Model No.	Standard	Applicable wire			Material	Surface finish	Dimensions (mm)					Q'ty/reel	
		mm <sup>2</sup>	AWG#	Insulation O.D. (mm)			W	L	E	T	Material thickness		Applicable tab thickness
STI-51-250N		0.5 to 2.0	20 to 14	2.6 to 3.8	Brass	—	7.5	19.2	7.7	(0.9)	0.32	SIM-51 (T)-250N	5,000
STI-51T-250N						Tin-plated							

### RoHS2 compliance

- Note: 1. Combine a plated tab-in terminal with a plated tab and a non-plated tab-in terminal with a non-plated tab.  
 2. This terminal must be built into the model 250 tab-in housing which has numerous circuits, and it cannot be used independently.  
 Model 250 tab-on terminals, however, can be used independently.  
 3. The above case does not apply when we confirm the condition of application and judge that there is no problem.

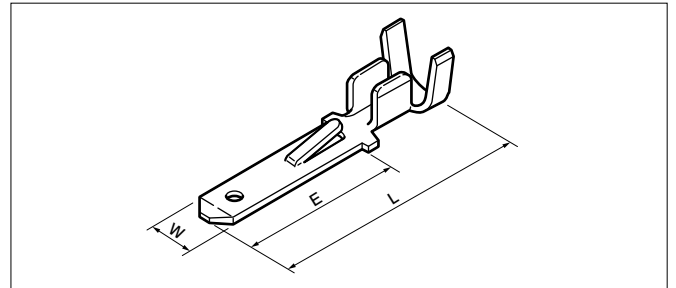
## Crimping machine, Applicator


Contact	Crimping machine	Applicator	Crimp applicator with dies
STI-01 (T)-110N	AP-K2N	MK-L	APLMK STI01-110N
STI-41 (T)-110N			APLMK STI41-110N
STI-51 (T)-250N			APLMK STI51-250N



Note: Contact JST for fully automatic crimping applicator.

# TAB-IN/TAB-IN-TAB TERMINAL

## #110 Tab-in tab type

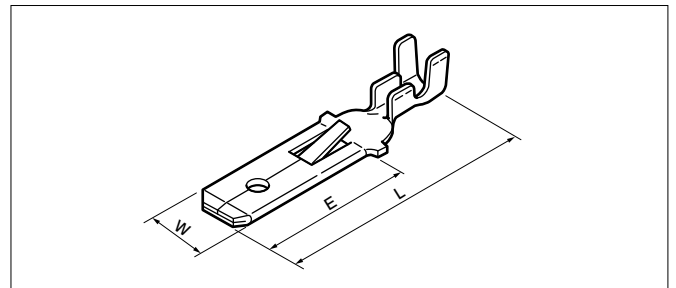


 Listed E70188

Model No.	Standard	Applicable wire			Material	Surface finish	Dimensions (mm)					Q'ty/ reel
		mm <sup>2</sup>	AWG#	Insulation O.D. (mm)			W	L	E	Material thickness	Tab thickness	
SIM-01-110A		0.3 to 0.5	22 to 20	2.1 to 2.8	Brass	—	2.8	20.6	12.0	0.5	0.5	7,500
SIM-01T-110A						Tin-plated						
SIM-41-110B		0.5 to 1.25	20 to 16	2.6 to 3.5		—						
SIM-41T-110B						Tin-plated						

RoHS2 compliance

## #250 Tab-in tab type



Model No.	Standard	Applicable wire			Material	Surface finish	Dimensions (mm)					Q'ty/ reel
		mm <sup>2</sup>	AWG#	Insulation O.D. (mm)			W	L	E	Material thickness	Tab thickness	
SIM-21T-250		0.3 to 0.75	22 to 18	2.2 to 3.2	Brass	Tin-plated	6.0	28.0	15.8	0.4	0.84	5,000
SIM-51-250N						—						
SIM-51T-250N		0.5 to 2.0	20 to 14	2.6 to 3.8		Tin-plated	6.0	24.5	13.0	0.4		
SIM-81PT-250N						1.25 to 3.5						16 to 12

RoHS2 compliance

Note: SIM-21(T)-250 differs from SIM-51(T)-250N in terminal size.

## Crimping machine, Applicator

Contact	Crimping machine	Applicator	Crimp applicator with dies
SIM-01 (T)-110A	AP-K2N	MK-L	APLMK SIM01-110A
SIM-41 (T)-110B			APLMK SIM41-110B
SIM-21 (T)-250			APLMK SIM21-250
SIM-51 (T)-250N			APLMK SIM51-250N
SIM-81 (PT)-250N			APLMK SIM81-250N

Note: Contact JST for fully automatic crimping applicator.

\* In using the products, refer to "Handling Precautions for Terminals and Connectors" described on our website (Technical documents of Product information page).

\* RoHS2 compliance

\* Dimensional unit: mm

\* Contact JST for details.