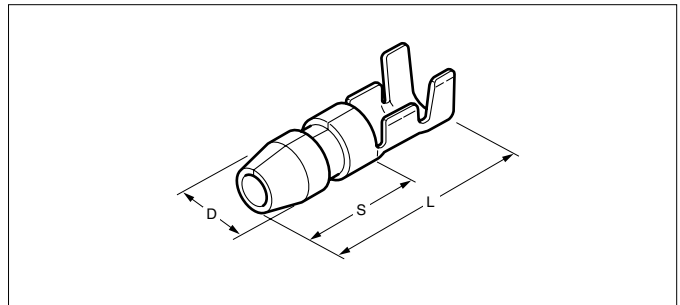


BULLET TERMINAL

Nominal 4.0mm dia. bullet male



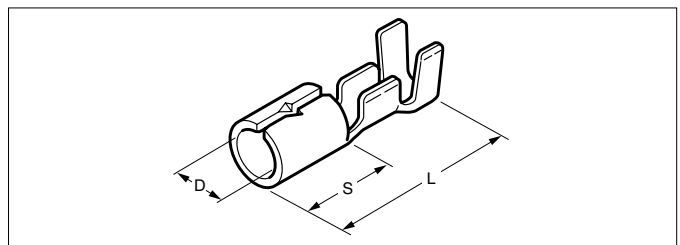
Recognized E60389

Certified LR20812

Model No.	Standard	Applicable wire			Material	Finish	Dimensions(mm)				Q'ty / reel
		mm ²	AWG #	Insulation O.D. (mm)			D (dia.)	L	S	Material thickness	
SGM-51-4		0.5 to 2.0	20 to 14	2.6 to 3.8	Brass	—	3.55	15.9	7.3	0.5	5,000
SGM-51T-4						Tin-plated					

RoHS compliance

Nominal 4.0mm dia. bullet female



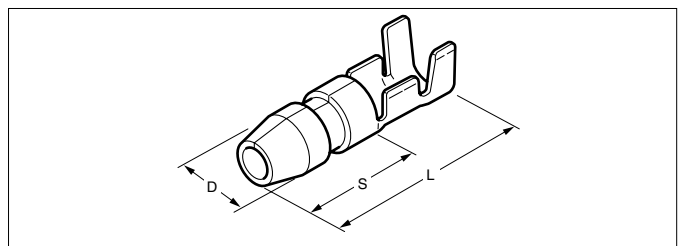
Recognized E60389

Certified LR20812

Model No.	Standard	Applicable wire			Material	Finish	Dimensions(mm)				Q'ty / reel
		mm ²	AWG #	Insulation O.D. (mm)			D (dia.)	L	S	Material thickness	
SGF-41-4		0.5 to 1.25	20 to 16	2.6 to 3.5	Brass	—	3.5	17.5	6.4	0.32	7,500
SGF-41T-4						Tin-plated					

RoHS compliance

Nominal 5.0mm dia. bullet male



Recognized E60389

Certified LR20812

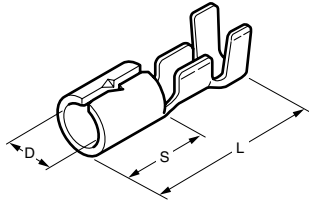
Model No.	Standard	Applicable wire			Material	Finish	Dimensions(mm)				Q'ty / reel
		mm ²	AWG #	Insulation O.D. (mm)			D (dia.)	L	S	Material thickness	
SGM-21-5		0.3 to 0.75	22 to 18	1.7 to 2.9	Brass	—	3.96	17.5	8.9	0.5	5,000
SGM-21T-5						Tin-plated					
SGM-51-5		0.5 to 2.0	20 to 14	2.6 to 3.8		—					
SGM-51T-5						Tin-plated					

RoHS compliance

BULLET TERMINAL

Nominal 5.0mm dia. bullet female

Type A



Recognized E60389

Certified LR20812

Model No.	Standard	Applicable wire			Material	Type	Finish	Dimensions(mm)				Q'ty / reel
		mm ²	AWG #	Insulation O.D. (mm)				D (dia.)	L	S	Material thickness	
SGF-21-5		0.3 to 0.75	22 to 18	1.7 to 2.9	Brass	A	—	3.96	17.5	6.4	0.4	5,000
SGF-21T-5							Tin-plated					
SGF-51-5		0.5 to 2.0	20 to 14	2.6 to 3.8			—					
SGF-51T-5							Tin-plated					

Crimping machine, Applicator

Contact	Crimping machine	Applicator		
		Crimp applicator	Dies	Crimp applicator with dies
SGM-51(T)-4	AP-K2N	MK-L	MK/SGM-51-4	APLMK SGM51-4
		—	—	—
SGF-41(T)-4		MK-L	MK/SGF-41-4	APLMK SGF41-4
		—	—	—
SGM-21(T)-5		MK-L	MK/SGM-21-5	APLMK SGM21-5
		—	—	—

Contact	Crimping machine	Applicator		
		Crimp applicator	Dies	Crimp applicator with dies
SGM-51(T)-5	AP-K2N	MK-L	MK/SGM-51-5	APLMK SGM51-5
		—	—	—
SGF-21(T)-5		MK-L	MK/SGF-21-5	APLMK SGF21-5
		—	—	—
SGF-51(T)-5		MK-L	MK/SGF-51-5	APLMK SGF51-5
		—	—	—

* Compliant with RoHS.

* Refer to "General Instruction and Notice when using Terminals and Connectors" at the end of this catalog.

* Contact JST for details.

X-ON Electronics

Largest Supplier of Electrical and Electronic Components

Click to view similar products for [Terminals](#) category:

Click to view products by [JST](#) manufacturer:

Other Similar products are found below :

[HT-13-10](#) [71M-250-32-NB](#) [01-2065-1-0216](#) [00581P0075](#) [M10-10RX](#) [M10BCK](#) [60205-1](#) [604200-1](#) [60598-1-CUT-TAPE](#) [60617-1-C](#) [60873-1](#) [M14-516R/SK](#) [M14-6RSX](#) [M18-10FLX](#) [M18-8FBX](#) [M18-8R/LX](#) [M18BCK](#) [61314-6-C](#) [61-S](#) [61-SN-A](#) [62-NBM-A](#) [63-S](#) [640179-1](#) [640917-2-CUT-TAPE](#) [6501550002](#) [66107-2-C](#) [66107-4-C](#) [696683-1](#) [696834-1](#) [696861-1](#) [696931-1](#) [696999-1](#) [M8-516RK](#) [M86700006](#) [MA250DMFMX-A](#) [701-2007](#) [701-2307](#) [701-7761-03](#) [70F-110-32-PB](#) [718-N-A](#) [71M-187-20-NBL](#) [71M-250-32-NBL](#) [72F-187-20-NBL](#) [72M-250-32-NBL](#) [7310](#) [73F-250-32](#) [73F-250-32-NBL](#) [73F-250-32-NL](#) [F14-10C](#) [F-1M](#)