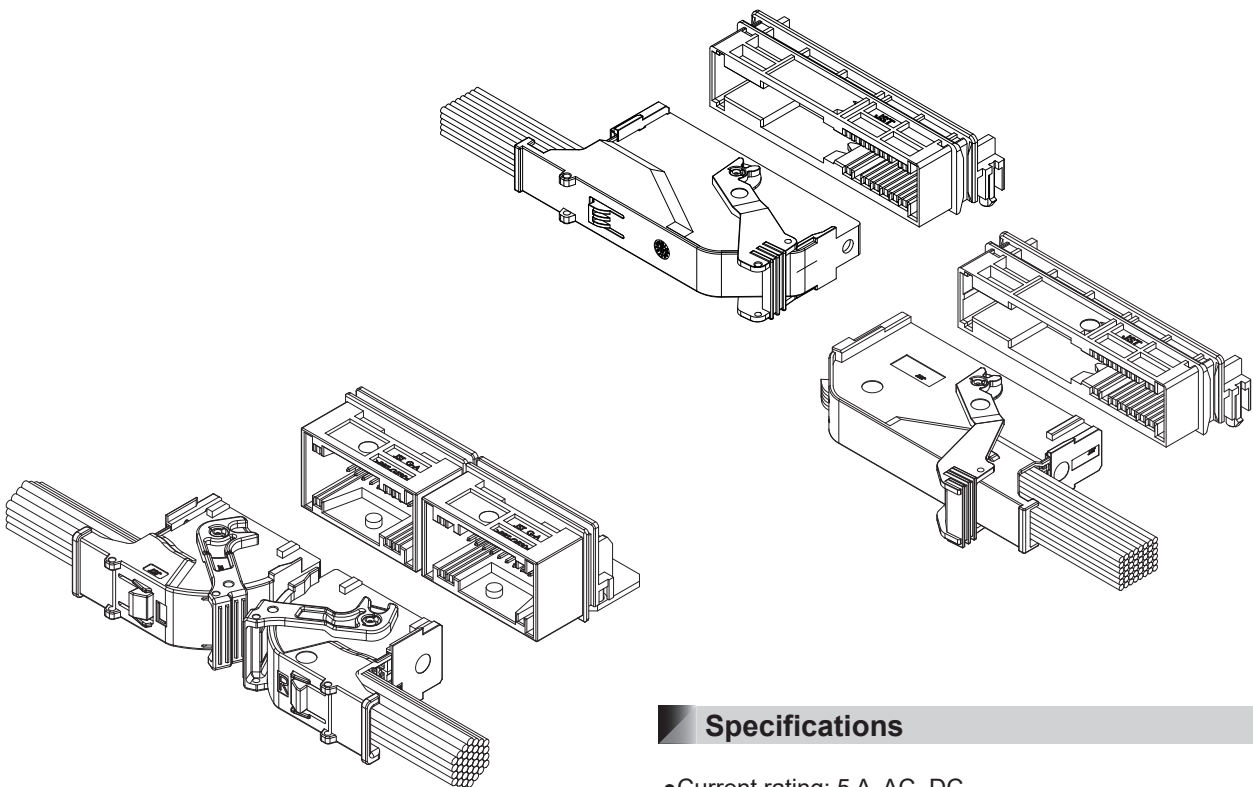


Features

- **Variation**
Various pin arrangement/ housing color/ key code/ harness direction selectable.
- **Terminal Construction**
Four contact points and dual springs achieve high reliability.
- **Lever Mating**
The lever mechanism is adopted to reduce the insertion force in mating male and female connector.

Realized low insertion force with lever mechanism. These connector have the variousable to color/ key/ pin arrange corresponding to needs, hance the connector type suitable can be selected.

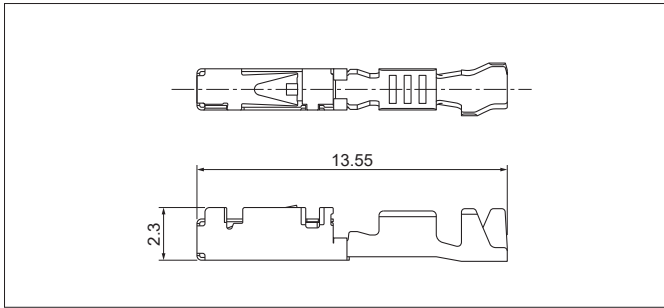


Specifications

- Current rating: 5 A AC, DC
- Withstanding voltage: 1,000 VAC/minute
- Temperature range: -40°C to +85°C
(including temperature rise in applying electrical current)
- Contact resistance: Initial value/ 15 mΩ max.
After environmental tests/ 15 mΩ max.
- Insulation resistance: 100 MΩ min.
- Applicable wire: AVSS
0.3 mm² to 0.5 mm²
FLRY-A
0.35 mm² to 0.5 mm²

* Compliant with ELV/RoHS.
* Contact JST for details.

Female terminal



Model No.	Applicable wire range		Q'ty/reel
	Conductor (mm ²)	Insulation O.D. (mm)	
SGIT-B021T-MS0.64	0.35 to 0.5	1.4 to 1.7	9,000

Material and Finish

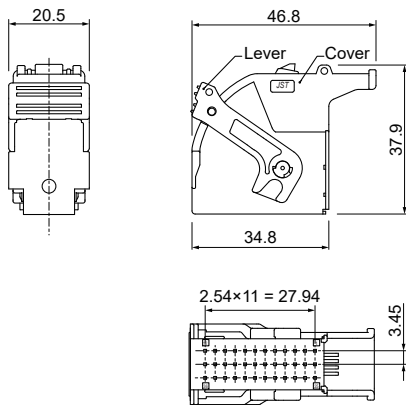
Terminal box: SUS

Terminal spring: Copper alloy, tin-plated

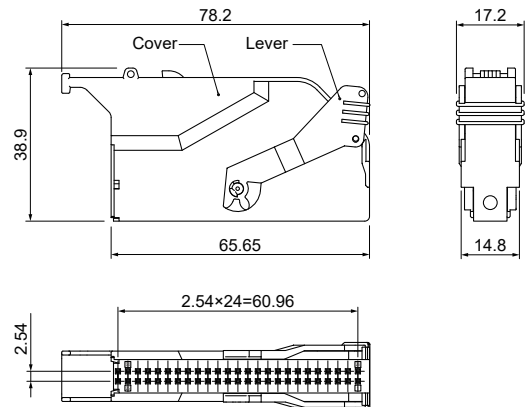
Female connector

Cover housing

• 36GIT-CL-1A-()-() ()



• 50GIT-CL-1A-01()-() Harness Left Direction



Circuits	Model No.	Q'ty/box
36	36GIT-CL-1A-()-() ()	360
50	50GIT-CL-1A-01()-()	360
	50GIT-CL-2A-37()-()	360

Material and Finish

Cover housing: Glass-filled PBT

Color: GIT 36P: Yellow, Orange, White (Left Direction)

Black (Right Direction)

GIT 50P: Yellow (Left Direction)

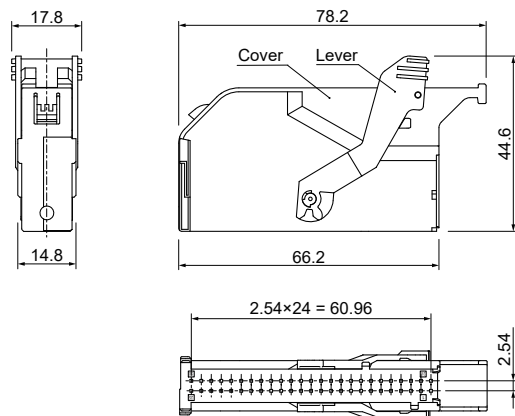
Orange (Right Direction)

Lever: Glass-filled PBT

Color: GIT 36P: Black

GIT 50P: Gray, Green, Black

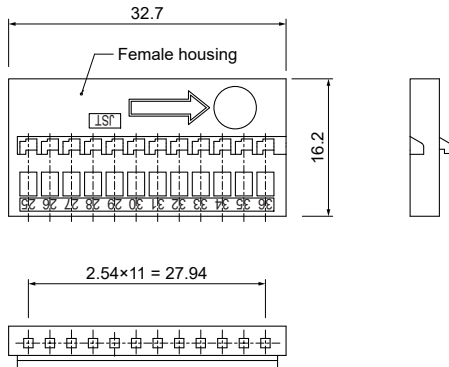
• 50GIT-CL-2A-37()-() Harness Right Direction



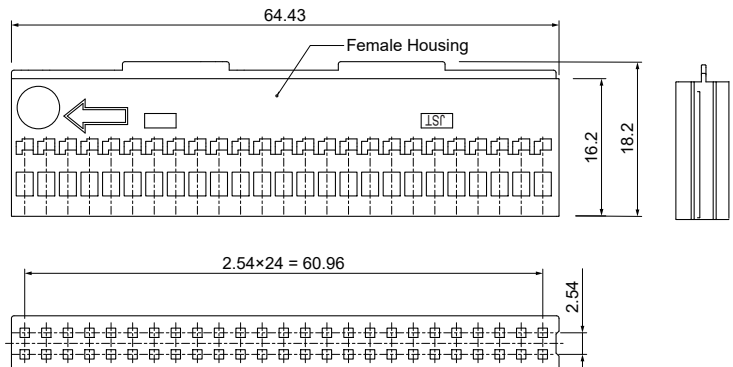
Female connector

Female housing

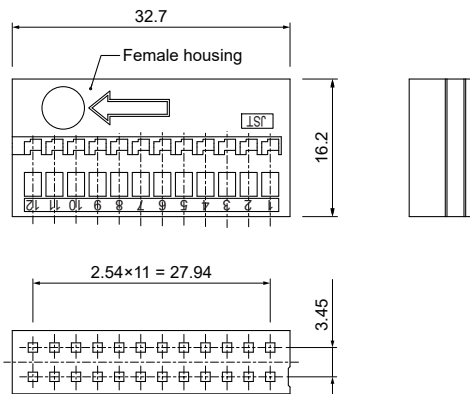
• GITR-12H-3(-)-K



• GITR-50H-(-)A-K



• GITR-24H-1(-)-K



Circuits	Model No.	Q'ty/box
36	GITR-12H-3()-K	1,500
	GITR-24H-1()-K	900
50	GITR-50H-()A-K	600

Material and Finish

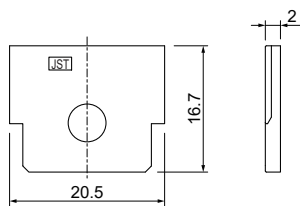
Housing: Glass-filled PBT, Black

Note: GITR-12H-3A-K: It is used in GIT 36 circuits Harness Left Direction.
 GITR-12H-3B-K: It is used in GIT 36 circuits Harness Right Direction.
 GITR-24H-1A-K: It is used in GIT 36 circuits Harness Left Direction.
 GITR-24H-1B-K: It is used in GIT 36 circuits Harness Right Direction.

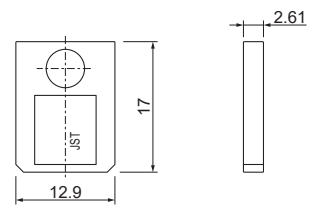
GITR-50H-1A-K: It is used in GIT 50 circuits Harness Left Direction.
 GITR-50H-2A-K: It is used in GIT 50 circuits Harness Right Direction.

Slide cover

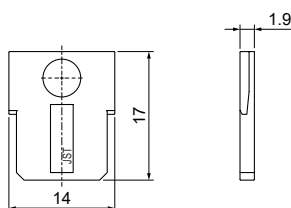
• GITSL-H-4A-K



• GITSL-H-2A-K



• GITSL-H-3A-K



Circuits	Model No.	Q'ty/box
36	GITSL-H-4A-K	400
50	GITSL-H-2A-K	500
	GITSL-H-3A-K	500

Material and Finish

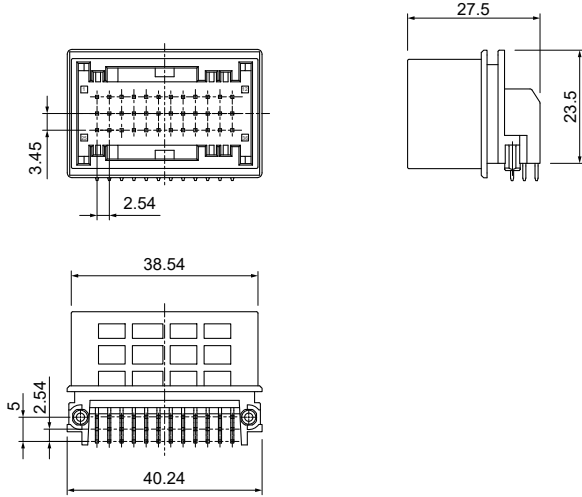
Housing: Glass-filled PBT, Black

Note: GITSL-H-4A-K for GIT 36 circuits is available for both directions.
 GITSL-H-2A-K is used in GIT 50 circuits Harness Left Direction.
 GITSL-H-3A-K is used in GIT 50 circuits Harness Right Direction.

Male connector

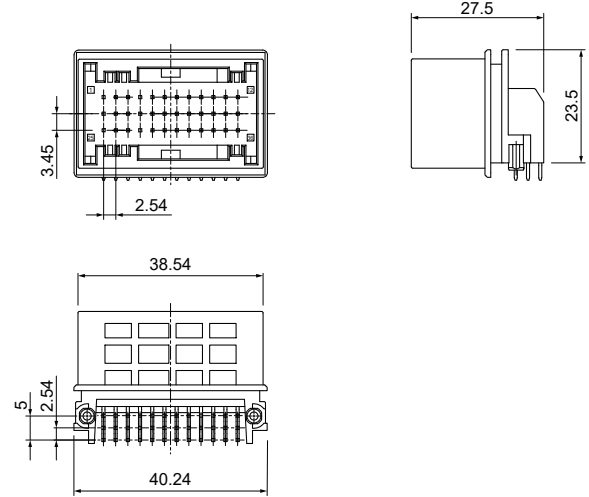
Harness Left Direction

- S36B-GIT()-2A-()L
- S24(36)B-GIT()-2A-()L

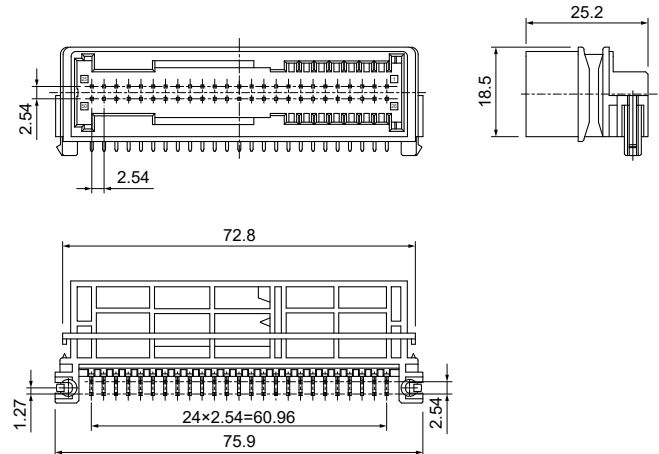


Harness Right Direction

- S36B-GIT()-2A-()R
- S24(36)B-GIT()-2A-()R



- S()(50)B-GIT03-2C-()



Circuits	Model No.	Q'ty/box
36	S36B-GIT()-2A-()()	180
	S24(36)B-GIT()-2A-()()	180
50	S()(50)B-GIT03-2C-()	192

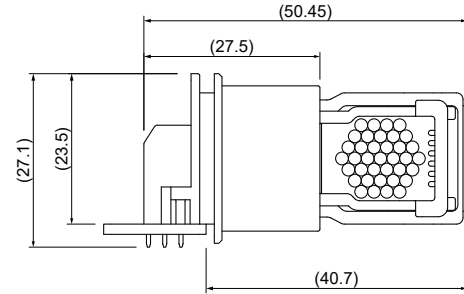
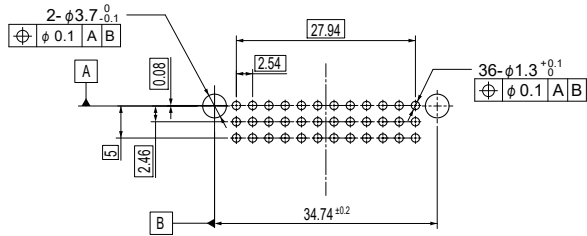
Material and Finish

Housing: Glass-filled PBT, Black

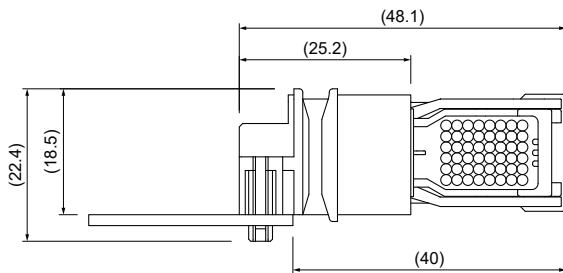
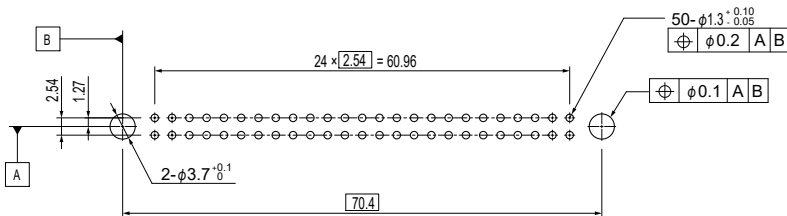
Terminal: Copper alloy, nickel-undercoated, tin-plated

PC board layout, Assembly layout

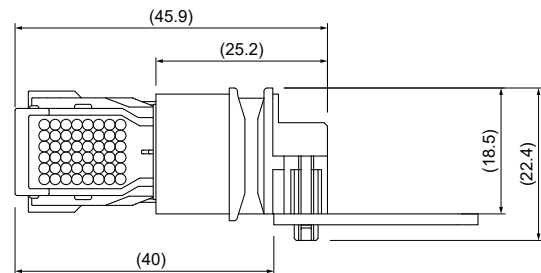
• 36 circuits



• 50 circuits



Harness Left Direction



Harness Right Direction

Crimping machine, Applicator

Strip terminal	Crimping machine	Crimp applicator MKS-L	
		Dies	Crimp applicator with dies
SGIT-B021T-MS0.64	AP-K2N	MK/SGIT-B021-064	APLMK SGIT-B021-064

Note: When crimping operation is conducted using an applicator and die set other than the above, JST cannot guarantee the performance of the terminal.

X-ON Electronics

Largest Supplier of Electrical and Electronic Components

Click to view similar products for [Terminals](#) category:

Click to view products by [JST](#) manufacturer:

Other Similar products are found below :

[00-054007-01074-6](#) [00-054007-70206-1](#) [00-054007-70210-8](#) [00-054007-70217-7](#) [00-054007-70228-3](#) [00-054007-70256-6](#) [00-054007-70316-7](#) [00-054007-49560-4](#) [00-054007-70209-2](#) [00-054007-70231-3](#) [00-054007-70241-2](#) [00-054007-70242-9](#) [00-054007-70246-7](#) [00-054007-70263-4](#) [00-054007-70288-7](#) [00-054007-70290-0](#) [00-054007-70300-6](#) [00-054007-70304-4](#) [01-2900-1-04412](#) [600TS-10](#) [605601-1](#) [60617-1-C](#) [61314-6-C](#) [61810-3](#) [626-0194](#) [63-S](#) [M55155/079C01](#) [M55155/099B03](#) [M55155/109H01](#) [M55155/29XJ08](#) [M55155/30-6S](#) [M55155/30-9S](#) [M55155/30XI09](#) [M6-14RSX](#) [696683-1](#) [696861-1](#) [696999-1](#) [M86700006](#) [D18-110B-C](#) [D18-110B-M](#) [701-1936](#) [701-1955](#) [701-2003](#) [701-2007](#) [701-2013](#) [701-2018](#) [701-2069](#) [701-2077-60](#) [701-2315](#) [701-2430](#)