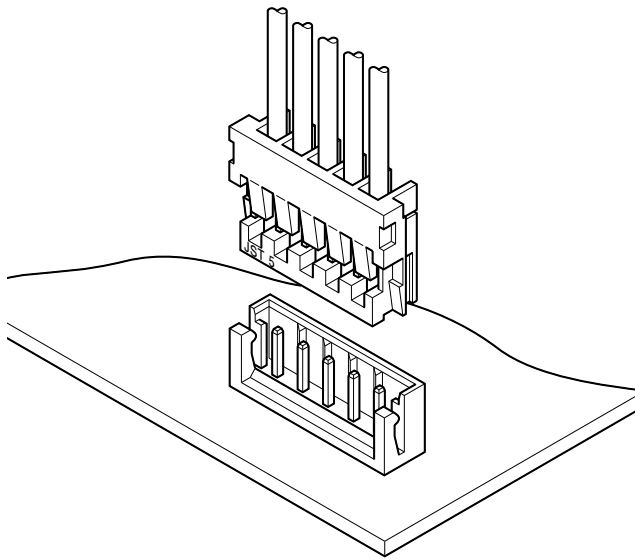


HR CONNECTOR



2.5 mm pitch/Disconnectable Crimp style connectors



11.3 mm in mounting height, and 4.1 mm in thickness. This connector is in-line method taking out the wire vertically to the PC board, and it enables insertion/withdrawal operation and designing the mounting on the PC board easier.

- Thin design
- High reliability
- Interchangeability

Specifications

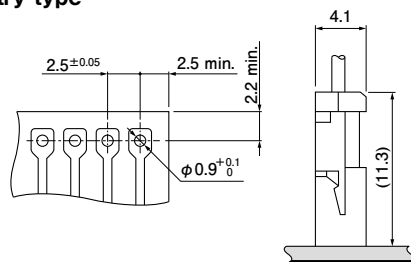
- Current rating: 3 A AC/DC (AWG #22)
 - Voltage rating: 250 V AC/DC
 - Temperature range: -25°C to +85°C
(including temperature rise in applying electrical current)
 - Contact resistance: Initial value/ 10 mΩ max.
After environmental tests/ 20 mΩ max.
 - Insulation resistance: 1,000 MΩ min.
 - Withstanding voltage: 1,000 VAC/minute
 - Applicable wire: AWG #26 to #22
 - Applicable PC board thickness: 0.8 to 1.6 mm
- * In using the products, refer to "Handling Precautions for Terminals and Connectors" described on our website (Technical documents of Product information page).
- * RoHS2 compliance
- * Dimensional unit: mm
- * Contact JST for details.

Standards

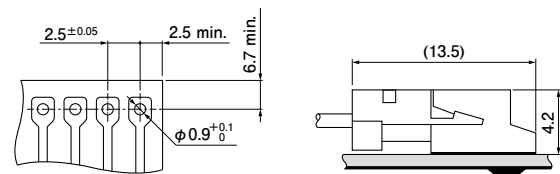
Recognized E60389

PC board layout and Assembly layout

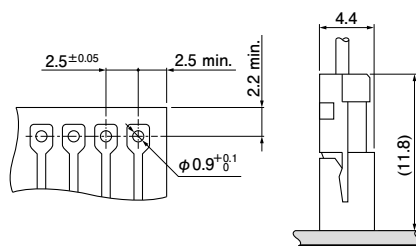
Top entry type



Side entry type



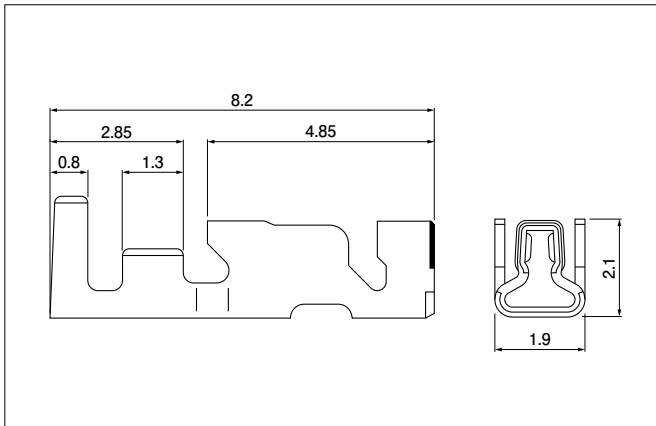
Top entry type on radial-tape



- Note: 1. The above figure is the figure viewed from the connector soldering side.
 2. Tolerances are non-cumulative: ± 0.05 mm for all centers.
 3. Hole dimension differ according to the type of PC board and piercing method. If PC boards made of hard material are used, the hole dimensions should be larger. The dimensions above should serve as a guideline. Contact JST for details.

HR CONNECTOR

Contact



Model No.	Applicable wire		Insulation O.D. (mm)	Q'ty/ reel
	mm ²	AWG #		
SHR-001T-P0.6	0.13 to 0.33	26 to 22	1.3 to 1.7	9,000

Material and Finish

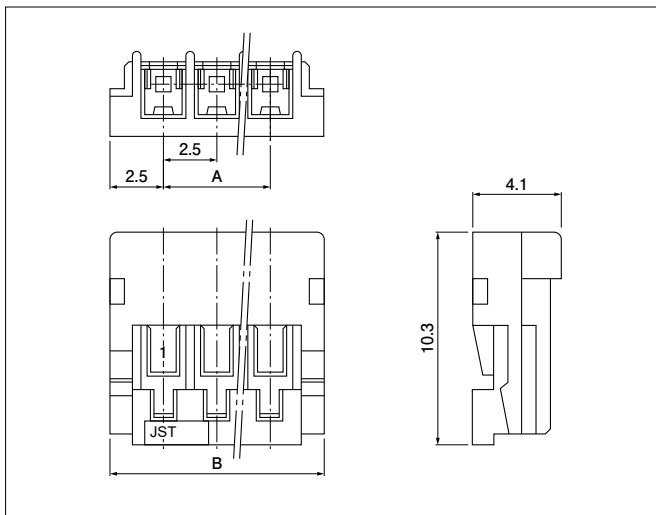
Phosphor bronze, tin-plated (reflow treatment)

RoHS2 compliance

Contact	Crimping machine	Applicator		
		Crimp applicator	Dies	Crimp applicator with dies
SHR-001T-P0.6	AP-K2N	MKS-L	MK/SHR/MR-001-06	APLMK SHR/MR001-06

Note: Contact JST for fully automatic crimping applicator.

Housing



No. of circuits	Model No.	Dimensions (mm)		Q'ty/ bag
		A	B	
2	HRP-02-S	2.5	7.5	2,000
3	HRP-03-S	5.0	10.0	2,000
4	HRP-04-S	7.5	12.5	1,000
5	HRP-05-S	10.0	15.0	1,000
6	HRP-06-S	12.5	17.5	1,000
7	HRP-07-S	15.0	20.0	500
8	HRP-08-S	17.5	22.5	500
9	HRP-09-S	20.0	25.0	500
10	HRP-10-S	22.5	27.5	500
11	HRP-11-S	25.0	30.0	500
12	HRP-12-S	27.5	32.5	500
13	HRP-13-S	30.0	35.0	250

Material and Finish

PA 66, UL94V-0, natural (white)

RoHS2 compliance

Header

The headers are interchangeable with those of the EH crimp style and HR insulation displacement connectors.

Model number allocation

Contact

	S	HR	-	001	T	-	P	0.6
Form:	S...Strip form							
Series name	Series name							
Applicable wire range:	001...AWG #26 to AWG #22							
Surface finish:	T...Tin-plated (reflow treatment)							
Material:	P...Phosphor bronze							
Terminal size	Terminal size							

Housing

	HR	P	-	02	-	S
Series name	Series name					
Part name:	Plug					
No. of circuits:	2 to 13					
Color:	S...Natural (White), K...Black, R...Red, TR...Tomato red, E...Blue, L...Lemon yellow, M...Green, N...Brown, O...Orange, P...Purple, PK...Pink, LE...Light blue, Y...Yellow, FY...Fluorescent yellow, H...Gray					

Note: Depending on the colors, it may take some time for delivery.

X-ON Electronics

Largest Supplier of Electrical and Electronic Components

Click to view similar products for [Terminals](#) category:

Click to view products by [JST](#) manufacturer:

Other Similar products are found below :

[00-054007-01074-6](#) [00-054007-70206-1](#) [00-054007-70210-8](#) [00-054007-70217-7](#) [00-054007-70228-3](#) [00-054007-70256-6](#) [00-054007-70316-7](#) [00-054007-49560-4](#) [00-054007-70209-2](#) [00-054007-70231-3](#) [00-054007-70241-2](#) [00-054007-70242-9](#) [00-054007-70246-7](#) [00-054007-70263-4](#) [00-054007-70288-7](#) [00-054007-70290-0](#) [00-054007-70300-6](#) [00-054007-70304-4](#) [01-2900-1-04412](#) [00581P0075](#) [600TS-10](#) [604200-1](#) [605601-1](#) [60598-1-CUT-TAPE](#) [60617-1-C](#) [61314-6-C](#) [61810-3](#) [62149-1](#) [626-0194](#) [62-NBM-A](#) [62-SP](#) [63-S](#) [M55155/059I03](#)
[M55155/079C01](#) [M55155/099B03](#) [M55155/099H02](#) [M55155/109H01](#) [M55155/12XH05](#) [M55155/16XH02](#) [M55155/29-5S](#) [M55155/29XJ08](#)
[M55155/30-6S](#) [M55155/30-9S](#) [M55155/30XI09](#) [696683-1](#) [696861-1](#) [696999-1](#) [M86700006](#) [D18-110B-C](#) [D18-110B-M](#)