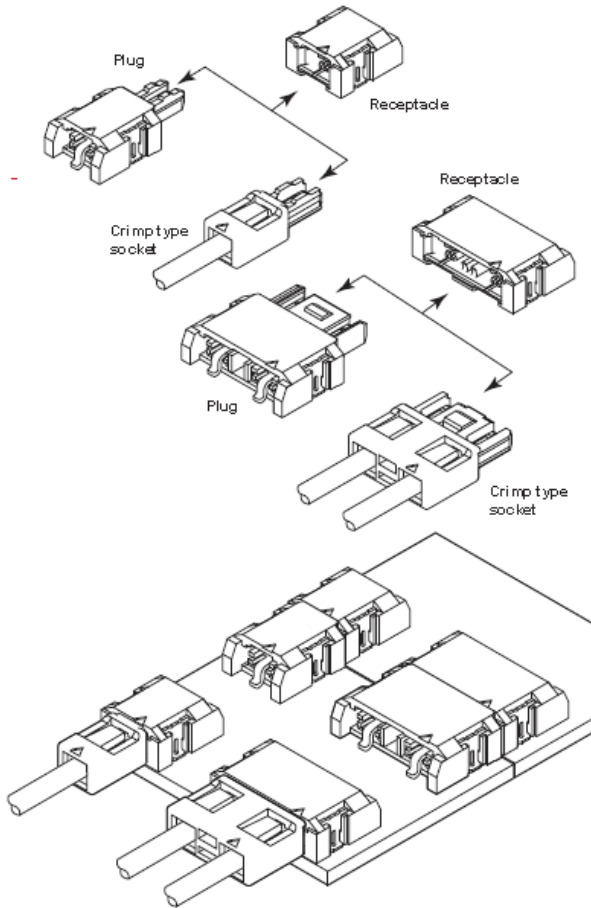


LEB Connector



1.8mm pitch / Board-Board and Wire-Board Crimp Disconnectable



Designed for LED light bar applications, the low profile of the connector does not interfere with the *luminescence angle of LED dies*. The LEB Series provides both board-to-board and wire-to-board capabilities. The board-to-board plug and receptacle connectors allows continuous connection of LED light bars

Features

- Absorption misalignment mechanism
- Prevention of mismatching.
- Common PCB layout for both plug and receptacle connectors.
- Both board-to board and wire-to-board interconnection capability.
- Meets the requirement of JIS C 8121-2-2-2009 and IEC 60838-2-2-2006 for Miscellaneous lamp holders -Part 2-2: Particular requirements- Connectors for printed circuit board based LED-modules.

Specifications

- Current rating: 3A AC, DC (AWG#22)
- Voltage rating: 300V AC, DC
- Temperature range: -55°C to $+105^{\circ}\text{C}$
(including temperature range rise in applying electrical current)
- Contact resistance: Initial value/10m Ω max.
After environmental testing/20m Ω max.
- Insulation resistance: 1,000M Ω min.
- withstanding voltage: AC 1,700V / 1minute
- Applicable wire: Conductor size/AWG#30 to AWG#22
Insulation O.D./0.7 to 1.3mm dia.
- Refer to "General Instruction and Notice when using Terminals and Connectors at the end of the catalog.
- Contact JST for details.

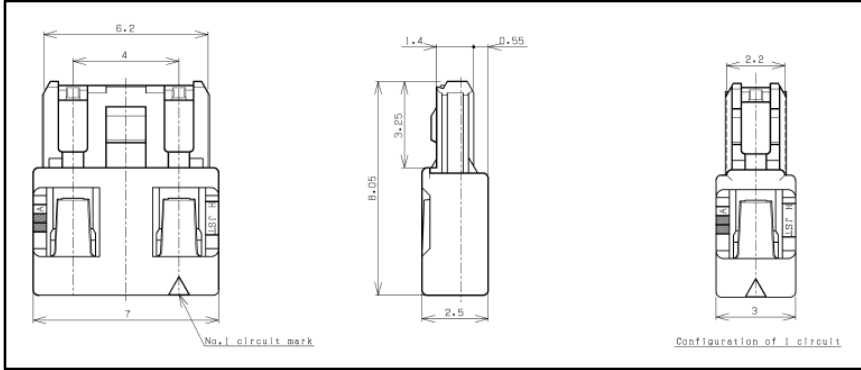
Standards



Recognized E60389

LEB connector

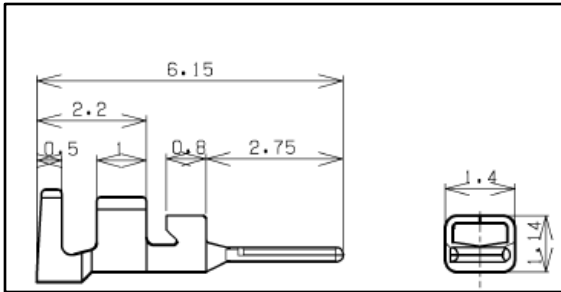
Socket Housing



Circuits	Model No.
1	LEBRP-1V-S
2	LEBRP-2V-S

Material
PBT, UL 94V-0

Contact

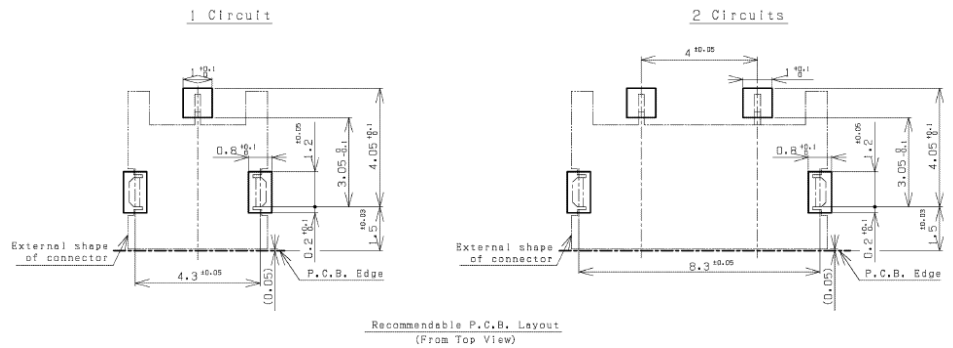


Model No.	Applicable wire			Qty/reel
	mm ²	AWG #	Insulation O.D. (mm)	
SLEB-001T-P0.2	0.13~0.33	26~22	0.95~1.3	15,000

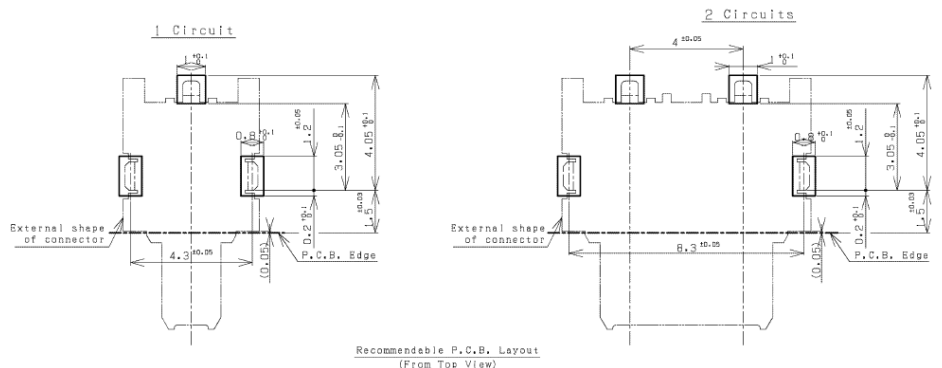
Material and Finish
Copper alloy, tin-plated (reflow treated)

PC Board Layouts

Receptacle Headers



Plug Headers



X-ON Electronics

Largest Supplier of Electrical and Electronic Components

Click to view similar products for [Modular Connectors](#) / [Ethernet Connectors](#) category:

Click to view products by [JST](#) manufacturer:

Other Similar products are found below :

[RJE231881317T](#) [MP1010RX-1000](#) [MP44RX-1000](#) [GAX-3-66](#) [GAX-8-62](#) [93606-0253](#) [GD-A-44](#) [GDCX-PA-66-50](#) [GDCX-PN-64](#) [GDCX-PN-66](#) [GDCX-PN-66-50](#) [GDLX-A-66](#) [GDLX-A-88](#) [GDLX-N-66](#) [GDLX-S-88K](#) [GDTX-S-88-50](#) [GDX-PA-1010](#) [GLX-N-1010M-BLK](#) [GLX-N-44M](#) [GLX-S-88M-BLK](#) [GMX-N-1010](#) [GMX-S-1010](#) [GMX-S-66](#) [GMX-SMT2-N-1010](#) [GMX-SMT2-N-64-50](#) [GMX-SMT2-S6-88](#) [GMX-SMT4-N-88](#) [GPX-2-64](#) [GRT1-BT1-5](#) [GSGX-N-2-88](#) [GSX-NS2-88-3.05](#) [GSX-NS2-88-3.05-50](#) [GSX-NS-88-3.05-30](#) [GSX-NS-88-3.05-50](#) [GSX-NS-88-3.68](#) [1-1775629-2](#) [GWLX-S-88-GR](#) [GWLX-S9-88-YG](#) [1300500326](#) [1300500227](#) [1300530003](#) [1300570002](#) [1324640-4](#) [RJ11FTVC2G](#) [RJ11FTVC2N](#) [RJFTVX2SA1G](#) [132764-001](#) [1400000](#) [1413176](#) [1413235](#)