

JRF CONNECTOR

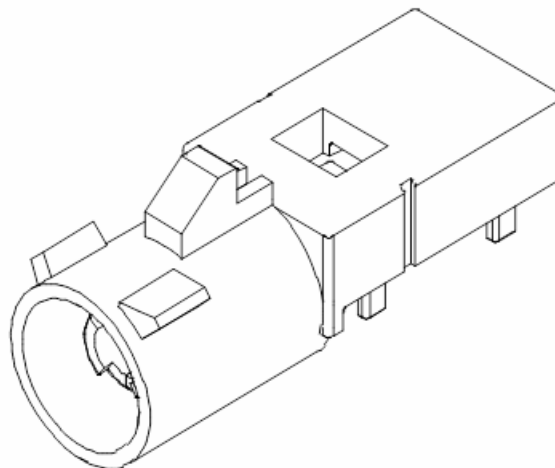
Board-To-Wire/High Frequency



Fully compatible and designed based on requirements from the FAKRA RF and USCAR standards for telematics and automotive communications technology.

■ Features

- Interface Compatible with USCAR-18
- 14 Key Codes
- Unsealed PCB Header Connector
- Superb high-frequency performance
VSWR achieves 1.5 MAX.



■ Key Codes (Male side)

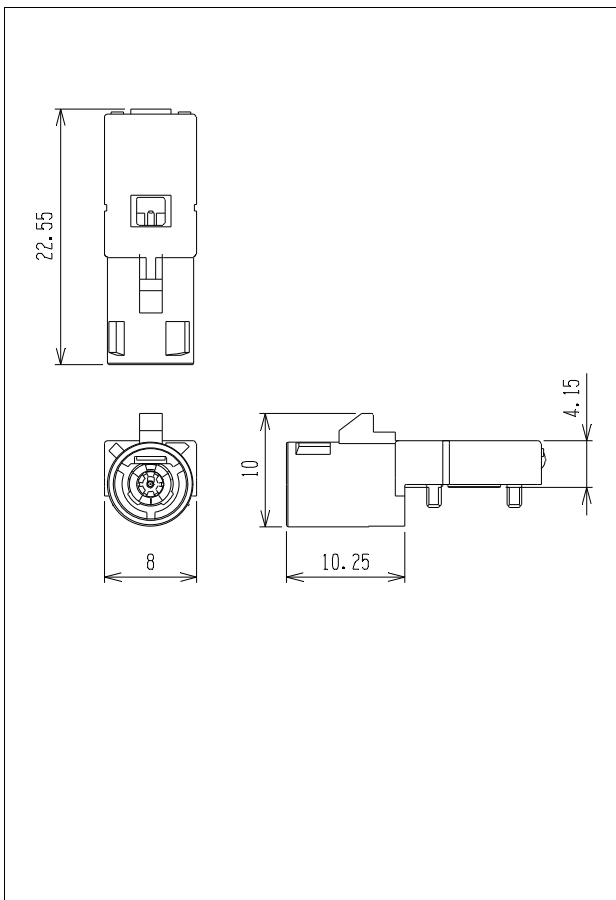
A	B	C	D	E
F	G	H	I	K
L	M	N	Z	

■ Specifications

- Current rating : 1A max.
- Withstanding voltage : 800 VAC /minute
- Temperature range : -40°C to +105°C
(including temperature rise in applying electrical current)
- Contact resistance : Center_Contact
Initial value/ 24 mΩ max.
After environmental tests/ 24 mΩ max.
Outer_Contact
Initial value/ 5 mΩ max.
After environmental tests/ 6 mΩ max.
- Insulation resistance : 100 MΩ min.
- Applicable wire : LS Cable 1.5DS-CV
- Frequency : DC~6GHz
- Characteristic impedance : 50 Ω

*Compliant with ELV/RoHS2.
*Contact JST for details.

Male Connector(Side entry type)

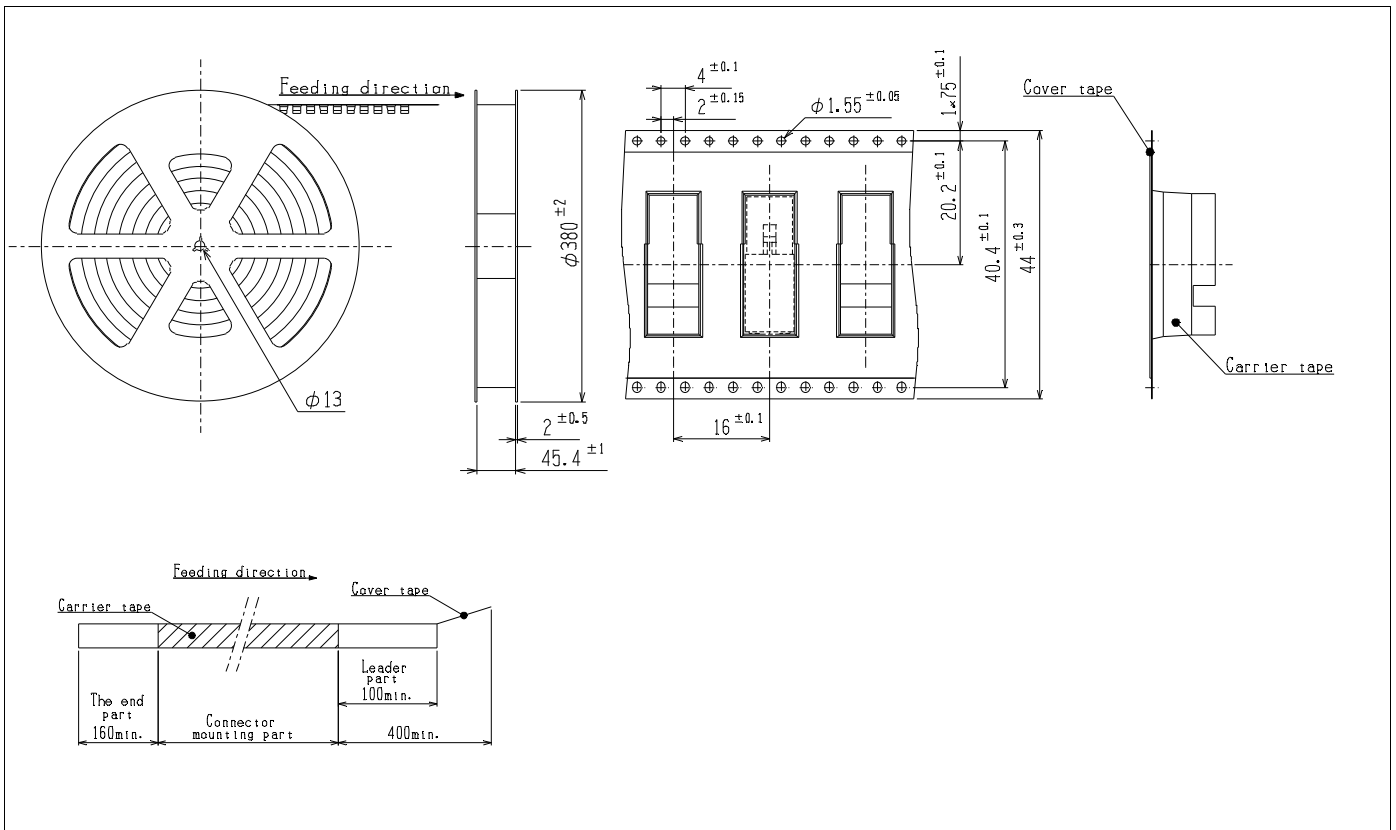


Key Code	Model No.	Q'ty/reel	Housing Color
A	SM01B-JRFKS-1A-TB	480	Jet Black
B	SM01B-JRFWS-1B-TB	480	Cream White
C	SM01B-JRFES-1C-TB	480	Signal Blue
D	SM01B-JRFPS-1D-TB	480	Claret Violet
E	SM01B-JRFMS-1E-TB	480	Leaf Green
F	SM01B-JRFDNS-1F-TB	480	Nut Brown
G	SM01B-JRFHS-1G-TB	480	Blue Gray
H	SM01B-JRFLPS-1H-TB	480	Heather Violet
I	SM01B-JRFLNS-1I-TB	480	Beige
K	SM01B-JRFNS-1K-TB	480	Curry
L	SM01B-JRFRS-1L-TB	480	Carmine Red
M	SM01B-JRFDS-1M-TB	480	Pastel Orange
N	SM01B-JRFLGS-1N-TB	480	Pastel Green
Z	SM01B-JRFLES-1Z-TB	480	Water Blue

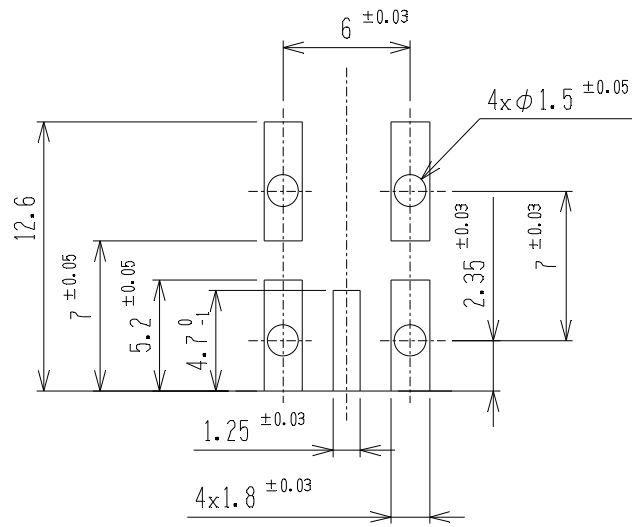
Material and Finish

Center Contact : Brass,nickel-undercoated,
 Contact area; Au-plated
 Barrel area ; Tin-plated (reflow treatment)
 Outer Contact : Brass,Nickel-undercoated,Tin-plated (reflow treatment)
 Housing : PA9T
 Insulator : PA9T

Taping Specifications



PC board layout



Note: 1. Recommended Board Layout for Soldering.
2. The dimintions above should as guideline. Contact JST for details.