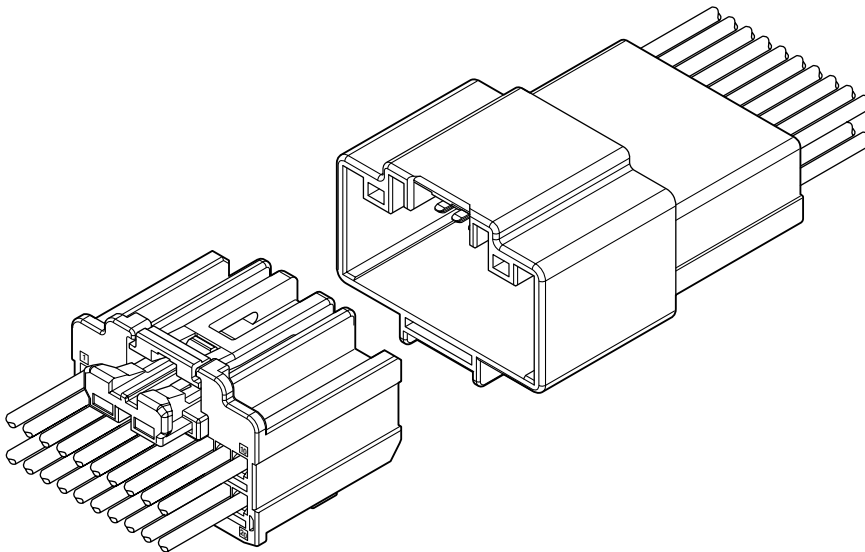


Features

- 20 circuits, Wire-to-Wire Connection
- Connector Position Assurance (CPA) Design
- Unsealed Inline Connector
- 1.2 mm Terminal Compliant with USCAR Standards

1.2 mm unsealed wire-to-wire connector system for automotive applications.



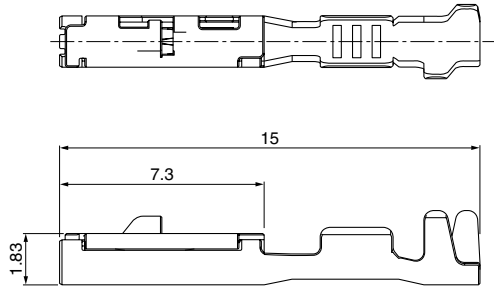
Specifications

- Current rating: 14 A AC, DC max (0.75 mm², Single circuit)
- Voltage rating: 14 V AC, DC
- Temperature range: -40°C to +105°C
(including temperature rise in applying electrical current)
- Contact resistance: Initial value/ 8 mΩ max.
After environmental tests/ 8 mΩ max.
- Insulation resistance: 100 MΩ min.
- Withstanding voltage: 1,000 VAC/minute
- Applicable wire: FLRY-A 0.35 to 0.75 mm²
FLRY-B 0.75 mm²

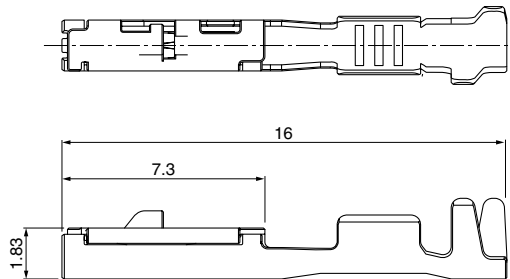
- * Compliant with ELV/RoHS.
- * Contact JST for details.

Female terminal

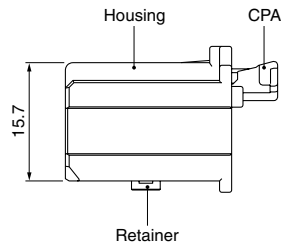
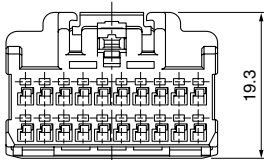
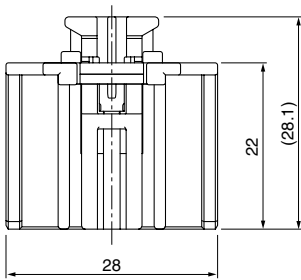
SS barrel



S barrel



Female connector



Size	Model No.	Applicable wire range		Q'ty/reel
		Conductor (mm ²)	Insulation O.D. (mm)	
SS	①SMSA-A011T-M1.2	0.35	1.2 to 1.4	9,000
S	①SMSA-A031T-M1.2	0.5 to 0.75	1.6 to 1.9	8,500
SS	②SMSA-A011A-M1.2	0.35	1.2 to 1.4	9,000
S	②SMSA-A031A-M1.2	0.5 to 0.75	1.6 to 1.9	8,500

Material and Finish

①Copper alloy, tin-plated (reflow treatment)

②Copper alloy, nickel-undercoated, Contact area: silver-plated
Barrel area: tin-plated

Circuits	Model No.	Q'ty/box	Housing Color
20	20MSA-RBC-1A-A-K	378	Black

Material

Housing: PBT

Retainer: Glass-filled PBT, Natural (White)

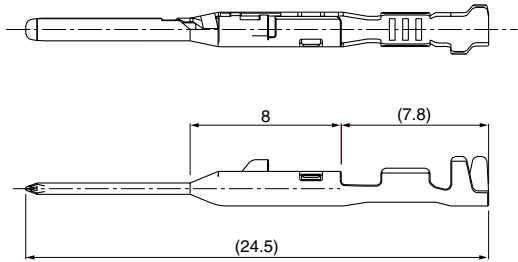
CPA: Glass-filled PBT, Natural (White)

Note: Color/Key codes other than above-mentioned housing are also available.
Contact JST for details.

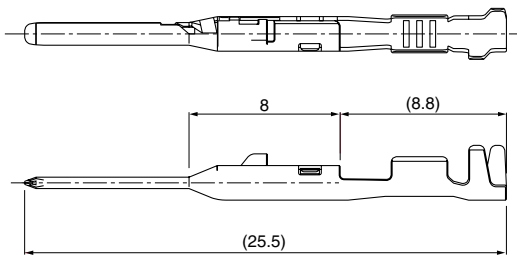
MSA CONNECTOR

Male terminal

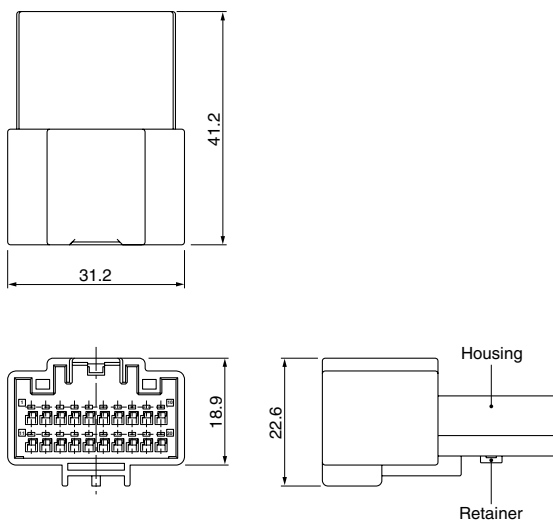
SS barrel



S barrel



Male connector



Size	Model No.	Applicable wire range		Q'ty/reel
		Conductor (mm ²)	Insulation O.D. (mm)	
SS	①SMSAW-A011T-M1.2	0.35	1.2 to 1.4	9,000
S	①SMSAW-A031T-M1.2	0.5 to 0.75	1.6 to 1.9	9,000
SS	②SMSAW-A011A-M1.2	0.35	1.2 to 1.4	9,000
S	②SMSAW-A031A-M1.2	0.5 to 0.75	1.6 to 1.9	9,000

Material and Finish

- ①Copper alloy, tin-plated (reflow treatment)
- ②Copper alloy, nickel-undercoated, Contact area: silver-plated
Barrel area: tin-plated

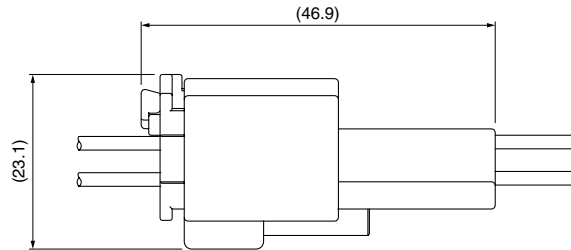
Circuits	Model No.	Q'ty/box	Housing Color
20	20MSA-PB-1A-A-K	216	Black

Material

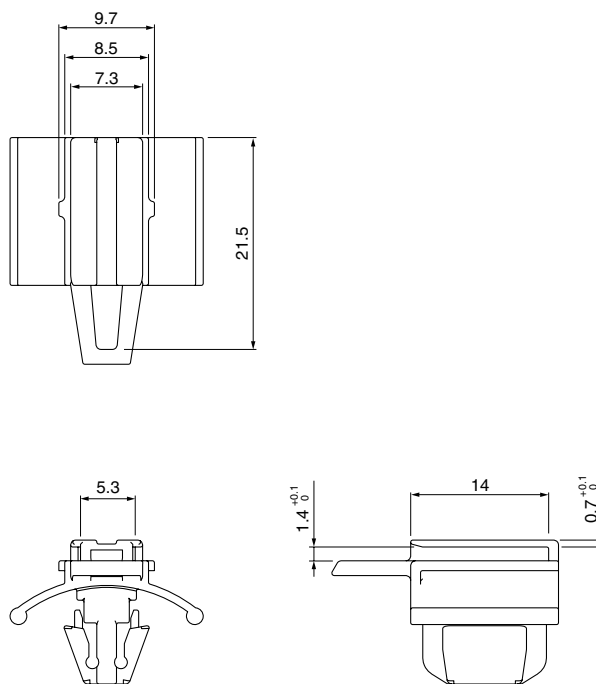
Housing: PBT
Retainer: Glass-filled PBT, Natural (White)

Note: Color/Key codes other than above-mentioned housing are also available.
Contact JST for details.

Assembly layout



Clip layout



Recommended clip layout

Crimping machine, Applicator

Strip terminal	Crimping machine	Crimp applicator MKS-L	
		Dies	Crimp applicator with dies
SMSA-A011()-M1.2	AP-K2N	MK/SMSA-A011-12	APLMK SMSA-A011-12
SMSA-A031()-M1.2		MK/SMSA-A031-12	APLMK SMSA-A031-12
SMSAW-A011()-M1.2		MK/SMSAW-A011-12	APLMK SMSAW-A011-12
SMSAW-A031()-M1.2		MK/SMSAW-A031-12	APLMK SMSAW-A031-12

Note: 1. Contact JST for details.

2. When crimping operation is conducted using an applicator and die set other than the above, JST cannot guarantee the performance of the terminal.

X-ON Electronics

Largest Supplier of Electrical and Electronic Components

Click to view similar products for [Automotive Connectors](#) category:

Click to view products by [JST manufacturer](#):

Other Similar products are found below :

[003-018-000](#) [60403001](#) [60993906-B](#) [M902-2131](#) [M902-2161](#) [M902-2344](#) [72.330.1035.1](#) [73.353.4028.0](#) [F119300-B](#) [F166900](#) [F258300-B](#)
[F358300-B](#) [F407400](#) [F444110](#) [F487000](#) [F509500B-B](#) [827153-1](#) [8N1515-32-24P](#) [9-1326729-8](#) [925474-1](#) [928905-1](#) [964562-4](#) [968782-1](#)
[GT17SA-8DS-HU](#) [98891-1012](#) [98947-1016](#) [12004147](#) [12004475-L](#) [12010290](#) [12010309-B](#) [12015454](#) [12020219-B](#) [12041318-B](#) [12052225-](#)
[L](#) [12052466](#) [12064869](#) [12004327-B](#) [12015308](#) [12015384](#) [12015909](#) [1-21030-1](#) [12041254](#) [12041318](#) [12047946-B](#) [12047957](#) [12047957-L](#)
[12059473](#) [12066261](#) [12110546](#) [12110546-B](#)