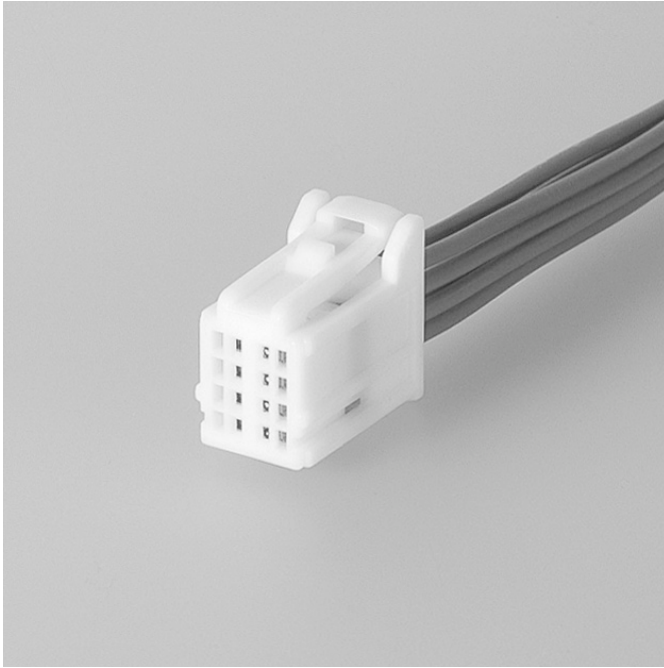


# NAC-I CONNECTOR

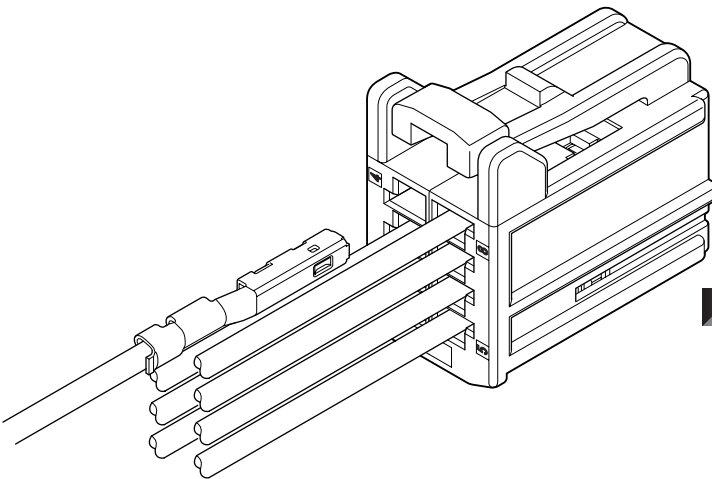
Wire-to-wire



## Features

- Compact Design, Independent Secondary Lock (Terminal Position Assurance)
- Accept 0.64 to 1.2mm Blade
- 2X4 Circuit Design

Low profile dual row connector compliant with the USCAR performance specifications.  
For general automotive applications.

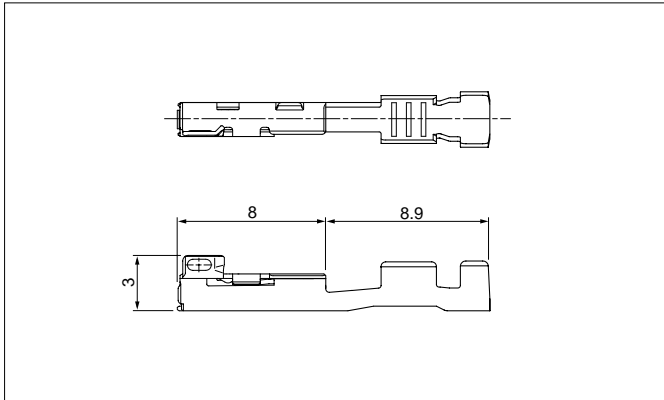


## Specifications

- Current rating: 5A DC max.
- Voltage rating: 14V DC
- Temperature range: -40°C to +85°C  
(including temperature rise in applying electrical current)
- Contact resistance: Initial value/20mΩ max.  
After environmental testing/20mΩ max.
- Insulation resistance: 20MΩ min.
- Applicable wire: SAE/ AVSS/ CAVS  
0.3mm<sup>2</sup> to 0.5mm<sup>2</sup>

\* Compliant with ELV/RoHS.  
\* Contact JST for details.

## Female terminal

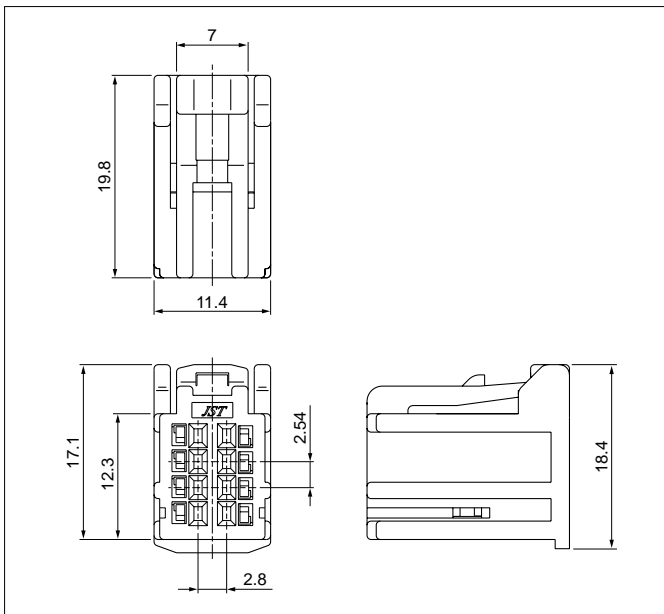


Model No.	Applicable wire range		Q'ty/reel
	Conductor (mm <sup>2</sup> )	Insulation O.D. (mm)	
<b>SNAC-A03T-M040</b>	0.3 to 0.5	≤1.9	5,000

### Material and Finish

Copper alloy, tin-plated (reflow treatment)

## Female housing

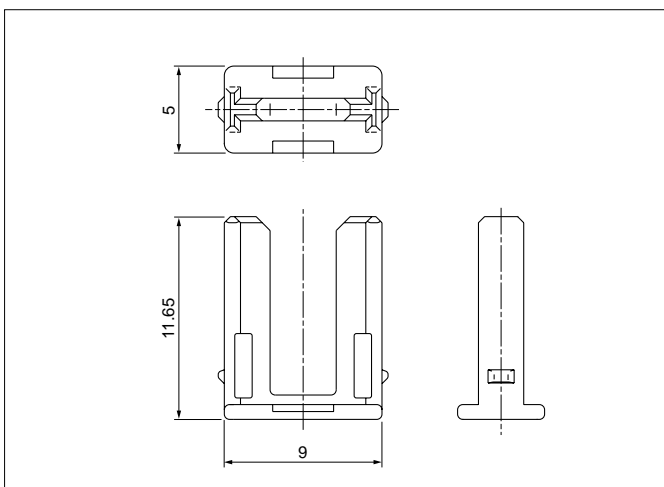


Circuits	Model No.	Q'ty/box
8	<b>NACP-08-S</b>	2,000

### Material

PBT, natural (white)

## Female retainer



Circuits	Model No.	Q'ty/box
8	<b>NACS-08-E</b>	2,000

### Material

PBT, blue

## Crimping machine, Applicator

Strip terminal	Crimping machine	Crimp applicator MKS-L	
		Dies	Crimp applicator with dies
<b>SNAC-A03T-M040</b>	AP-K2N	MK/SNAC-A03-040	APLMK SNAC-A03-040

Note: When crimping operation is conducted using an applicator and die set other than the above, JST cannot guarantee the performance of the terminal.

## X-ON Electronics

Largest Supplier of Electrical and Electronic Components

*Click to view similar products for [Automotive Connectors](#) category:*

*Click to view products by [JST manufacturer](#):*

Other Similar products are found below :

[003-018-000](#) [60403001](#) [60993906-B](#) [M902-2131](#) [M902-2161](#) [M902-2344](#) [72.330.1035.1](#) [73.353.4028.0](#) [F119300-B](#) [F166900](#) [F258300-B](#)  
[F358300-B](#) [F407400](#) [F444110](#) [F487000](#) [F509500B-B](#) [827153-1](#) [8N1515-32-24P](#) [9-1326729-8](#) [925474-1](#) [928905-1](#) [964562-4](#) [968782-1](#)  
[GT17SA-8DS-HU](#) [98891-1012](#) [98947-1016](#) [12004147](#) [12004475-L](#) [12010290](#) [12010309-B](#) [12015454](#) [12020219-B](#) [12041318-B](#) [12052225-](#)  
[L](#) [12052466](#) [12064869](#) [12004327-B](#) [12015308](#) [12015384](#) [12015909](#) [1-21030-1](#) [12041254](#) [12041318](#) [12047946-B](#) [12047957](#) [12047957-L](#)  
[12059473](#) [12066261](#) [12110546](#) [12110546-B](#)