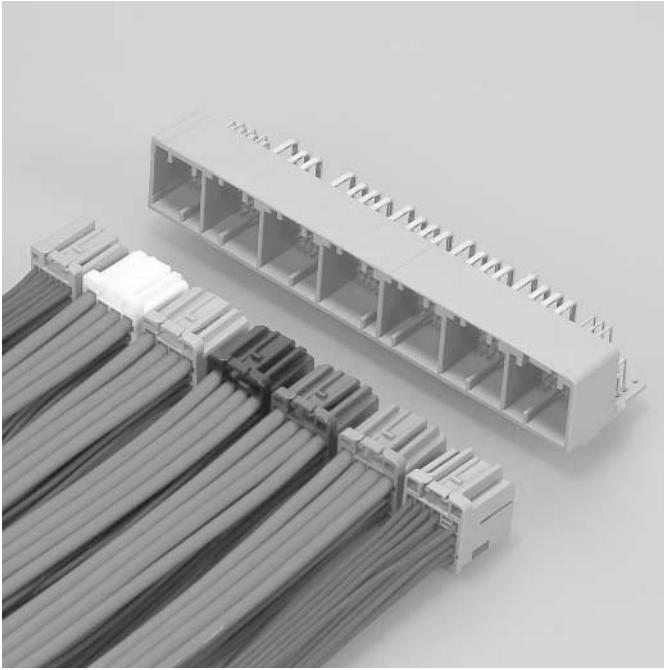


# HIT CONNECTOR

## Board-to-wire



The HIT connector is multi-circuit and miniaturized for ECU for the automobile.  
Female connector is divided into seven housings, and considers the ergonomics and workability.

### Features

#### ●Multi-circuit structure, Miniaturized

Current products available are up to 180-circuit. Although this connector is multi-circuit, it was miniaturized by narrow pitch. The insertion force in the mating operation of one time is decreased by block division structure.

#### ●Reliability

It conforms to the automotive performance evaluation standard.

#### ●Diversity

It is hybrid structures of using 0.64 mm and 2.8 mm terminals. Large current circuit is also available.

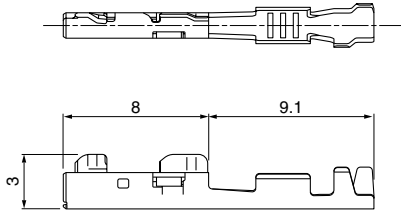
### Specifications

- Current rating: 0.64 Terminal/ 5 A AC, DC (0.5 mm<sup>2</sup>, Single circuit)  
2.8 Terminal/ 25 A AC, DC (5 mm<sup>2</sup>, Single circuit)
- Voltage rating: 14 V AC, DC
- Temperature range: -40°C to +100°C  
(including temperature rise in applying electrical current)
- Contact resistance: 0.64 Terminal;  
Initial value/ 20 mΩ max.  
After environmental tests/ 20 mΩ max.  
2.8 Terminal;  
Initial value/ 5 mΩ max.  
After environmental tests/ 5 mΩ max.
- Insulation resistance: 20 MΩ min.
- Withstanding voltage: 1,000 VAC/minute
- Applicable wire: TXL/ AVSS/ CAVS  
0.64 Terminal S/M; 0.3 mm<sup>2</sup> to 0.85 mm<sup>2</sup>  
2.8 Terminal S/M/L; 0.85 mm<sup>2</sup> to 5.0 mm<sup>2</sup>

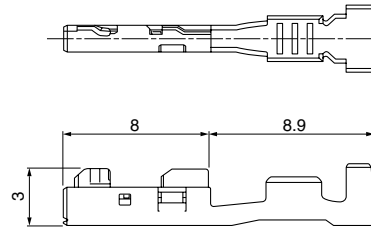
- \* Compliant with ELV/RoHS.
- \* Contact JST for details.

## Female terminal

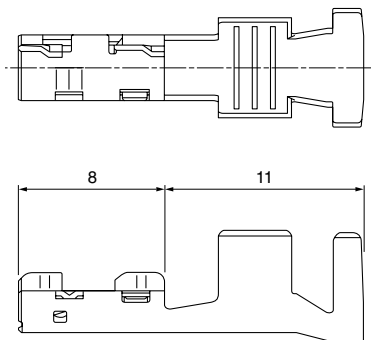
### • 0.64 Female terminal SSS/SS



### • 0.64 Female terminal S/M



### • 2.8 Female terminal S/M/L



Terminal	Model No.	Applicable wire range		Q ty/reel
		Conductor (mm <sup>2</sup> )	Insulation O.D. (mm)	
*0.64 SSS	<b>SNAC3-A001T-M0.64</b>	0.13	0.85	6,000
*0.64 SS	<b>SNAC3-A011T-M0.64</b>	0.22 to 0.35	0.95 to 1.10	5,000
0.64 S	<b>SNAC3-A021T-M0.64</b>	0.3 to 0.5	1.4 to 1.8	5,000
0.64 M	<b>SNAC3-A031T-M0.64</b>	0.5 to 0.85	1.8 to 2.0	5,000
2.8 S	<b>SNAC-A061T-M2.8</b>	0.85 to 1.3	2.0 to 2.3	3,000
2.8 M	<b>SNAC-A081T-M2.8</b>	2.0 to 3.3	2.6 to 3.2	2,500
2.8 L	<b>SNAC-A091T-M2.8</b>	3.0 to 5.0	3.2 to 4.0	2,000

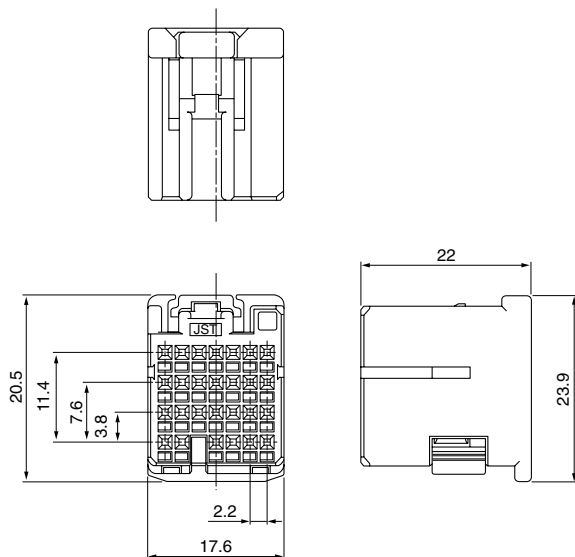
#### Material and Finish

Copper alloy, tin-plated (reflow treatment)

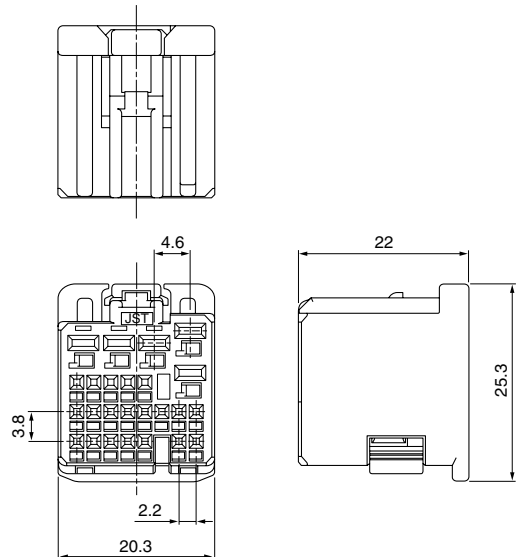
Note: \*Please contact JST about the use of these parts.

## Female connector

### • A Block



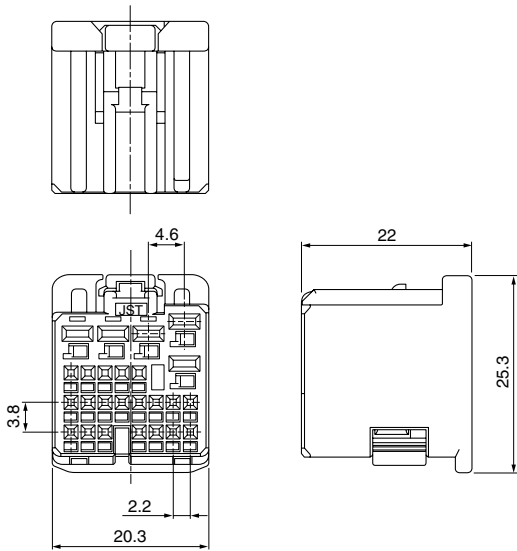
### • B Block



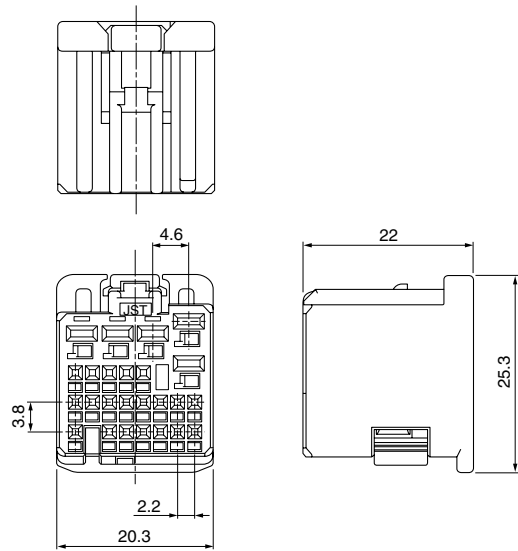
# HIT CONNECTOR

## Female connector

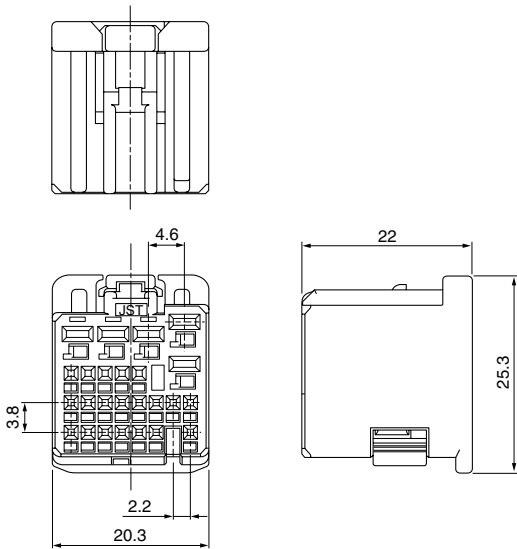
### • C Block



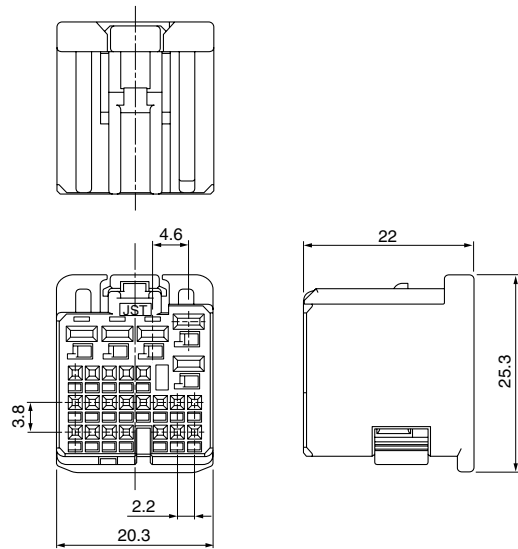
### • D Block



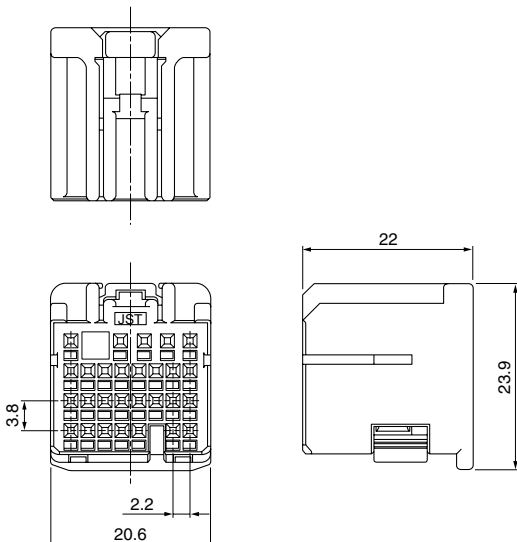
### • E Block



### • F Block



### • G Block



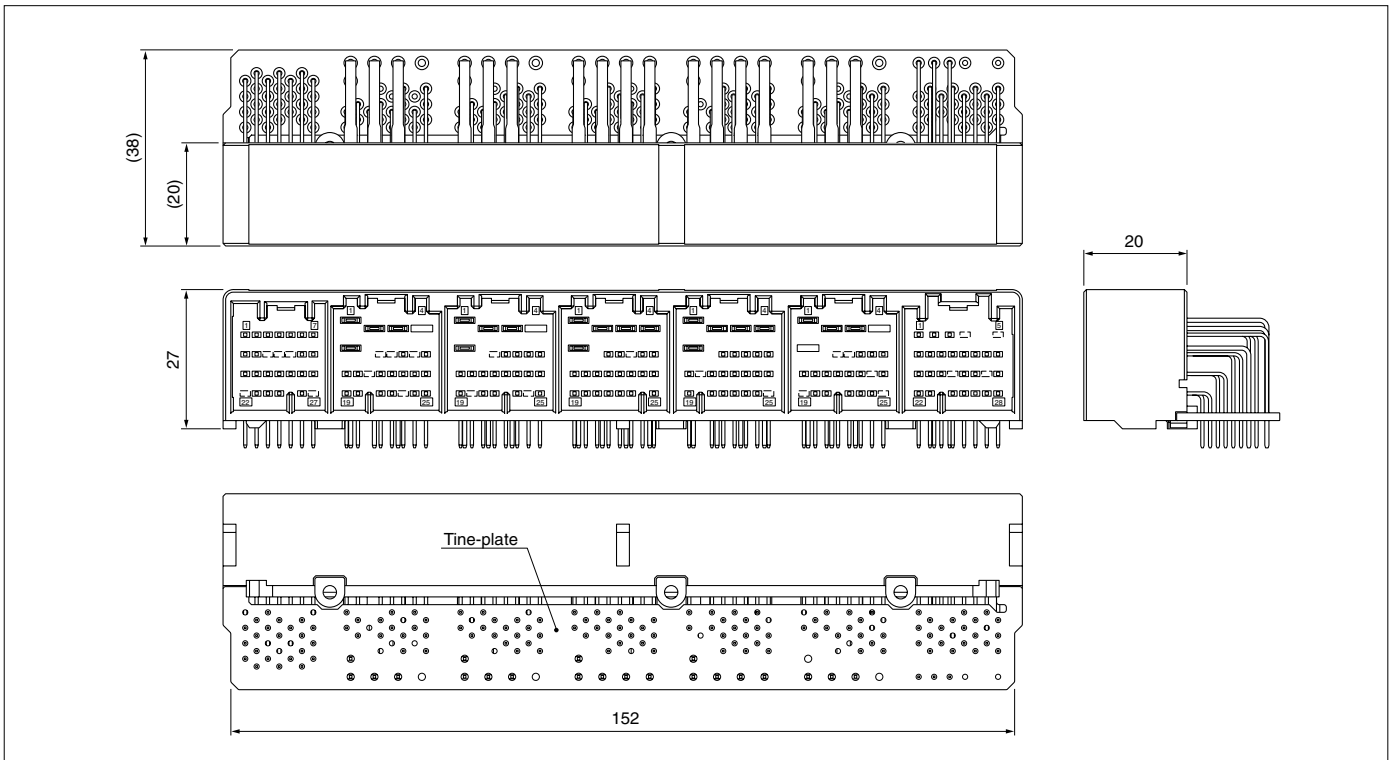
Type	Circuits	Model No.	Q'ty/box	Color	
				Housing	Retainer
A Block	27	HITPB-27-A-LM	336	Light green	Blue
B Block	25	HITPB-25-B-S	280	Natural (White)	Blue
C Block		HITPB-25-C-LE	280	Light blue	Blue
D Block		HITPB-25-D-K	280	Black	Blue
E Block		HITPB-25-E-N	280	Brown	Blue
F Block		HITPB-25-F-PK	280	Pink	Blue
G Block	28	HITPB-28-G-H	280	Gray	Blue

#### Material

Housing: PBT  
Retainer: PBT

Note: Contact JST for other circuits.

## Header

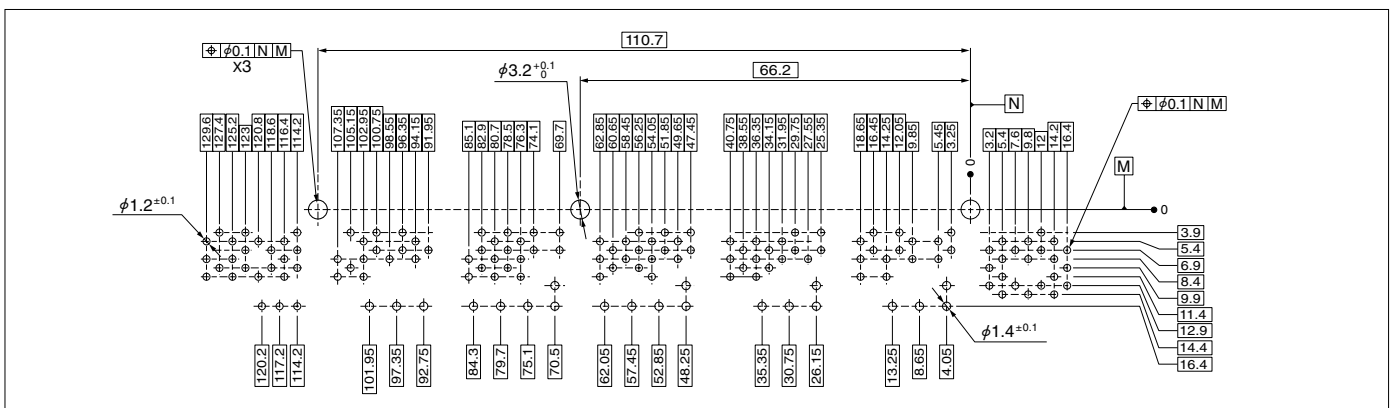


Circuits	Model No.	Q'ty/box
151	<b>S151B-HITHTP-01A</b>	105

### Material and Finish

Housing: Glass-filled PBT  
 Tine-plate: Glass-filled PBT  
 Signal pin: Brass, nickel-undercoated, tin-plated (reflow treatment)  
 Power pin: Copper alloy, nickel-undercoated, tin-plated (reflow treatment)

## PC board layout



## Crimping machine, Applicator, Hand crimp tool

Strip terminal	Crimping machine	Crimp applicator MKS-L		Hand crimp tool
		Dies	Crimp applicator with dies	
SNAC3-A001T-M0.64	AP-K2N	MK/SNAC3-A001-064	APLMK SNAC3-A001-064	—
SNAC3-A011T-M0.64		MK/SNAC3-A011-064	APLMK SNAC3-A011-064	—
SNAC3-A021T-M0.64		MK/SNAC3-A021-064	APLMK SNAC3-A021-064	YRK-1003
SNAC3-A031T-M0.64		MK/SNAC3-A031-064	APLMK SNAC3-A031-064	YRK-1012
SNAC-A061T-M2.8		MK/SNAC-A061-28	APLMK SNAC-A061-28	—
SNAC-A081T-M2.8		MK/SNAC-A081-28	APLMK SNAC-A081-28	—
SNAC-A091T-M2.8		MK/SNAC-A091-28	APLMK SNAC-A091-28	—

Note: When crimping operation is conducted using an applicator and die set other than the above, JST cannot guarantee the performance of the terminal.

## X-ON Electronics

Largest Supplier of Electrical and Electronic Components

*Click to view similar products for [Automotive Connectors](#) category:*

*Click to view products by [JST](#) manufacturer:*

Other Similar products are found below :

[003-018-000](#) [60403001](#) [60993906-B](#) [M902-2131](#) [M902-2161](#) [M902-2344](#) [72.330.1035.1](#) [73.353.4028.0](#) [F119300-B](#) [F166900](#) [F258300-B](#)  
[F358300-B](#) [F407400](#) [F444110](#) [F487000](#) [F509500B-B](#) [827153-1](#) [8N1515-32-24P](#) [9-1326729-8](#) [925474-1](#) [928905-1](#) [964562-4](#) [968782-1](#)  
[GT17SA-8DS-HU](#) [98891-1012](#) [98947-1016](#) [12004147](#) [12004475-L](#) [12010290](#) [12015454](#) [12020219-B](#) [12041318-B](#) [12052225-L](#) [12052466](#)  
[12064869](#) [12004327-B](#) [12015308](#) [12015384](#) [12015909](#) [1-21030-1](#) [12041254](#) [12041318](#) [12047946-B](#) [12047957](#) [12047957-L](#) [12059473](#)  
[12066261](#) [12110546](#) [12110546-B](#) [12131792](#)