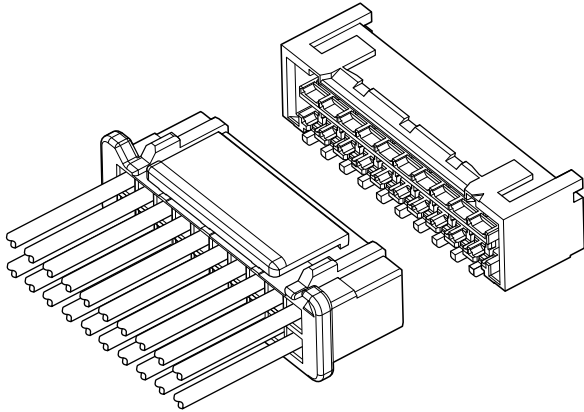


PBD CONNECTOR

2.0 mm pitch/Disconnectable Crimp style connectors



- Secure locking structure
- Sucking area on header
- High reliability contact
- Side entry dual-row type
- Applicator is interchangeable with those of the PHD connector contact.

Specifications

- Current rating: 3 A AC/DC (AWG #22)
- Voltage rating: 100 V AC/DC
- Temperature range: -25°C to +85°C
(including temperature rise in applying electrical current)
- Contact resistance: Initial value/ 10 mΩ max.
After environmental tests/ 20 mΩ max.
- Insulation resistance: Initial/ 1,000 MΩ min.
- Withstanding voltage: 800 VAC/minute
- Applicable wire: Conductor size/ AWG #28 to #22
Insulation O.D./ 1.0 to 1.5 mm

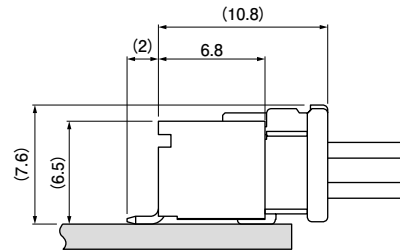
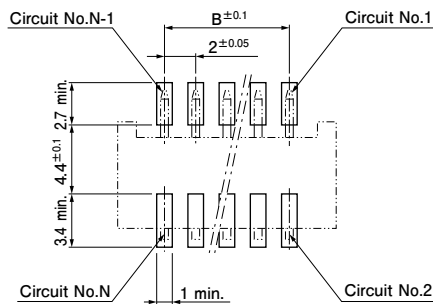
* In using the products, refer to "Handling Precautions for Terminals and Connectors" described on our website (Technical documents of Product information page).

* RoHS2 compliance

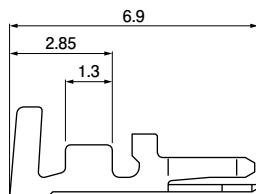
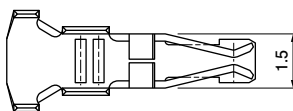
* Dimensional unit: mm

* Contact JST for details.

PC board layout and Assembly layout



Contact



Model No.	Applicable wire		Insulation O.D. (mm)	Q'ty/reel
	mm ²	AWG #		
SPBD-001T-P0.5	0.13~0.33	26~22	1.0~1.5	10,000
SPBD-002T-P0.5	0.08~0.21	28~24	0.8~1.5	10,000

Material and Finish

Phosphor bronze, tin-plated (reflow treatment)

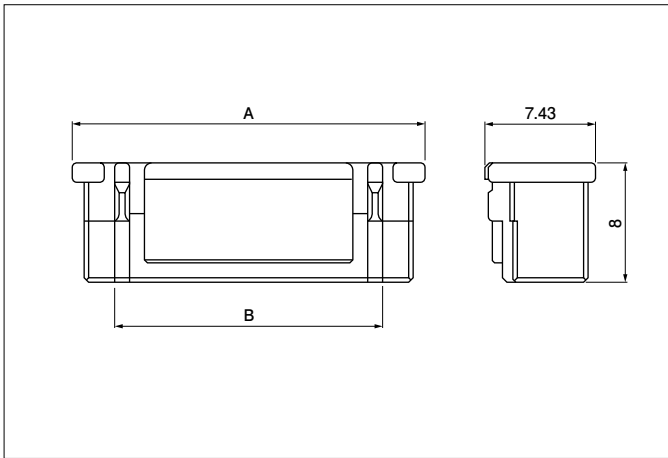
RoHS2 compliance

Contact	Crimping machine	Applicator		
		Crimp applicator	Dies	Crimp applicator with dies
SPBD-001T-P0.5	AP-K2N	MKS-L	MK/SPBD-001-05	APLMK SPBD001-05
		MKS-L-10	MK/SPHD-001-05	APLMK SPHD001-05
SPBD-002T-P0.5		MKS-L	MK/SPBD-002-05	APLMK SPBD002-05
		MKS-L-10	MK/SPHD-002-05	APLMK SPHD002-05

Note: Contact JST for fully automatic crimping applicator.

PBD CONNECTOR

Housing



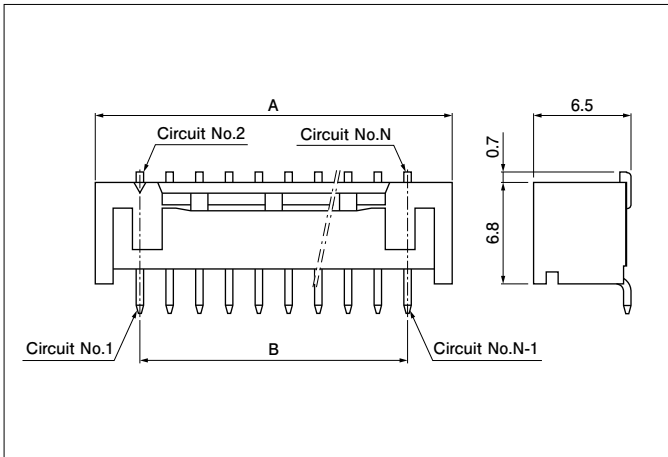
No. of circuits	Model No.	Dimensions (mm)		Q'ty/bag
		A	B	
16	PBDP-16V-S	19.7	14.0	500
20	PBDP-20V-S	23.7	18.0	300
30	PBDP-30V-S	33.7	28.0	200

Material and Finish

PBT, UL94V-0, natural (white)

RoHS2 compliance

Shrouded header



No. of circuits	Model No.	Dimensions (mm)		Q'ty/reel
		A	B	
16	SM16B-PBDSS-TF	20.0	14.0	800
20	SM20B-PBDSS-TF	24.0	18.0	800
30	SM30B-PBDSS-TF	34.0	28.0	800

Material and Finish

Post: Copper alloy, copper-undercoated, tin-plated (reflow treatment)

Base housing: Polyamide resin, UL94V-0, natural (ivory)

Base contact: Copper alloy, copper-undercoated, tin-plated (reflow treatment)

RoHS2 compliance This product displays (LF)(SN) on a label.

Note: These products listed above are supplied on embossed-tape.

X-ON Electronics

Largest Supplier of Electrical and Electronic Components

Click to view similar products for [Terminals](#) category:

Click to view products by [JST](#) manufacturer:

Other Similar products are found below :

[HT-13-10](#) [71M-250-32-NB](#) [01-2065-1-0216](#) [00581P0075](#) [M10-10RX](#) [M10BCK](#) [60205-1](#) [604200-1](#) [60598-1-CUT-TAPE](#) [60617-1-C](#) [60873-1](#) [M14-516R/SK](#) [M14-6RSX](#) [M18-10FLX](#) [M18-8FBX](#) [M18-8R/LX](#) [M18BCK](#) [61314-6-C](#) [61-S](#) [61-SN-A](#) [62-NBM-A](#) [63-S](#) [640179-1](#) [640917-2-CUT-TAPE](#) [6501550002](#) [66107-2-C](#) [66107-4-C](#) [696683-1](#) [696834-1](#) [696861-1](#) [696931-1](#) [696999-1](#) [M8-516RK](#) [M86700006](#) [MA250DMFMX-A](#) [701-2007](#) [701-2307](#) [701-7761-03](#) [70F-110-32-PB](#) [718-N-A](#) [71M-187-20-NBL](#) [71M-250-32-NBL](#) [72F-187-20-NBL](#) [72M-250-32-NBL](#) [7310](#) [73F-250-32](#) [73F-250-32-NBL](#) [73F-250-32-NL](#) [F14-10C](#) [F-1M](#)