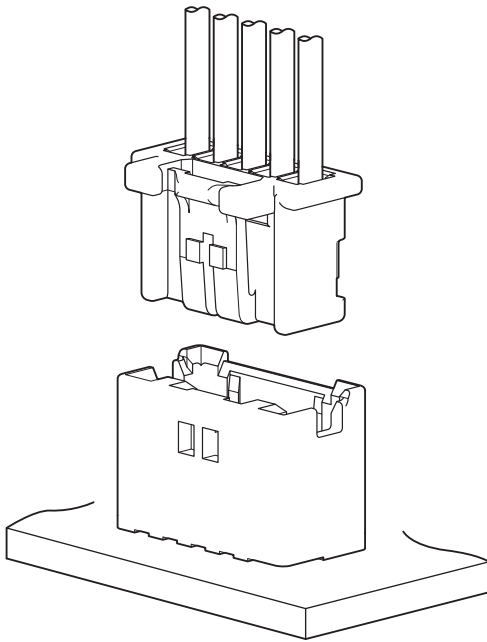


PLI CONNECTOR

2.0 mm pitch/Wire-to-board connector/Disconnectable Crimp style connectors



This is a 2.0 mm pitch wire-to-board connector with a mechanism to prevent incomplete mating, and designed as low profile type connector with mounting height of 9.6 mm.

- Inertia lock mechanism
- Secure lock mechanism
- Low profile (Mounting height is 9.6 mm.)

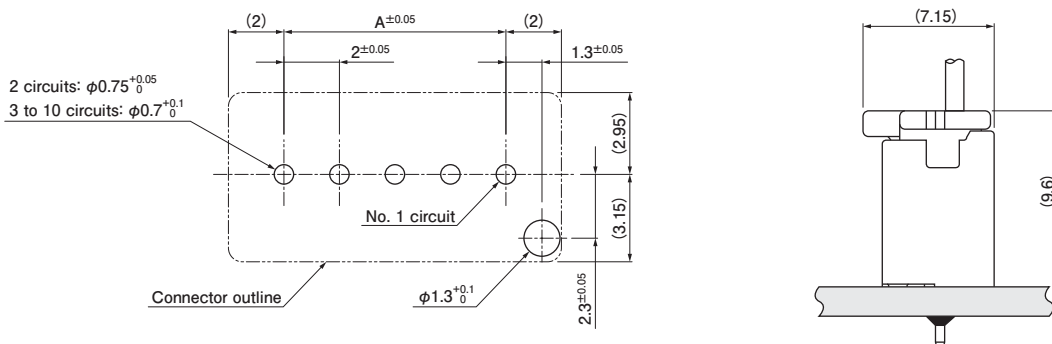
Standards

☑ :Recognized E 60389

Specifications

- Current rating: 3 A AC/DC (AWG #22)
 - Voltage rating: 100 V AC/DC
 - Temperature range: -25°C to +85°C
(including temperature rise in applying electrical current)
 - Contact resistance:
 - Initial value/ 10 mΩ max.
 - After environmental tests/ 20 mΩ max.
 - Insulation resistance: 1,000 MΩ min.
 - Withstanding voltage:
 - There shall be no breakdown or flashover while applying 800 VAC for one minute.
 - Applicable wire range:
 - Conductor size/ AWG #28 to AWG #22
 - Insulation O.D. / ϕ 0.8 mm to ϕ 1.5 mm
 - Applicable PC board thickness: 1.6 mm
- * In using the products, refer to "Handling Precautions for Terminals and Connectors" described on our website (Technical documents of Product information page).
- * RoHS2 compliance
- * Dimensional unit: mm
- * Contact JST for details.

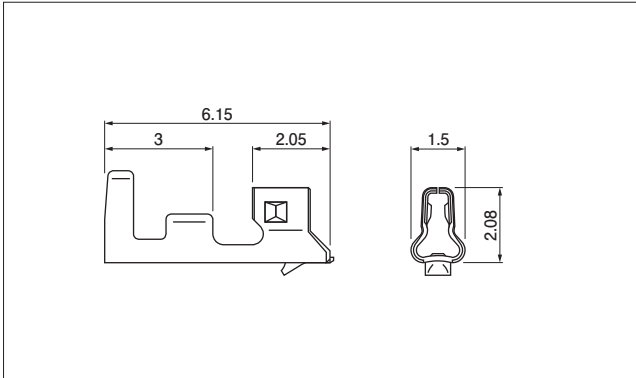
PC board layout and Assembly layout



- Note: 1. The figure of PC board layout is the figure viewed from the connector mounting side.
2. Dimension A: See "Header" section on page 3.
3. Tolerance for the PCB hole pitch shall be ± 0.05 , and shall not accumulate more than ± 0.05 .
4. Hole dimensions differ according to the type of PC board and piercing method.
- Please contact JST for details as the dimensions shown in the above figure are reference values.

PLI CONNECTOR

Contact



Model No.	Applicable wire range		Q'ty/ reel
	Conductor size AWG (mm ²)	Insulation O.D. (mm)	
SPLI-002T-P0.5	#28 to #24 (0.08 to 0.22)	0.8 to 1.5	10,000
SPLI-001T-P0.5	#26 to #22 (0.13 to 0.33)	1.0 to 1.5	10,000

Material and Finish

Copper alloy, tin-plated

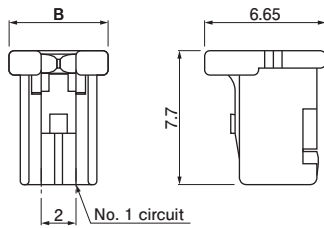
Crimping machine

Contact	Crimping machine	Applicator	Crimp applicator with dies
SPLI-002T-P0.5	AP-K2N	MKS-L	APLMK SPLI002-05
SPLI-001T-P0.5			APLMK SPLI001-05

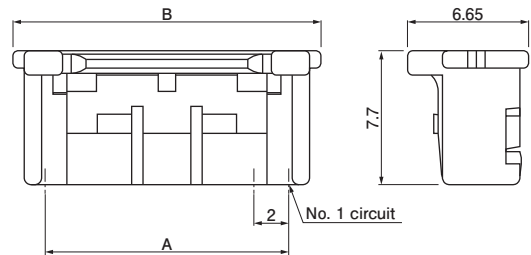
Note: Contact JST for fully automatic crimping applicator.

Socket housing

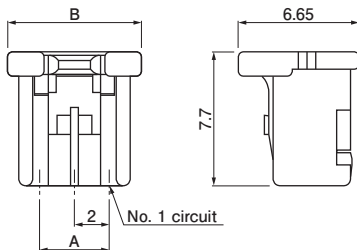
<2 circuits>



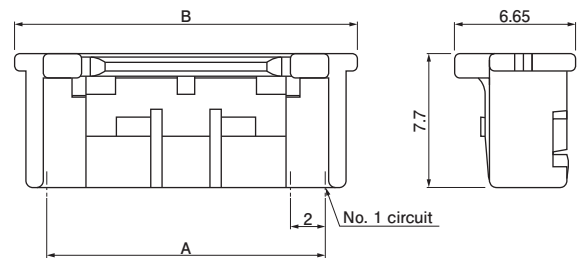
<8 circuits>



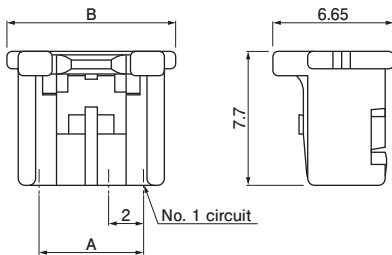
<3 circuits>



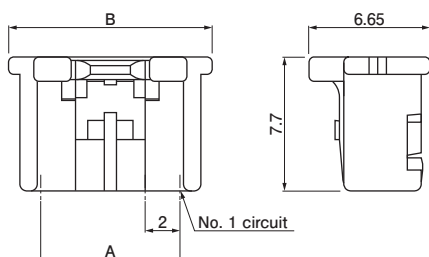
<9, 10 circuits>



<4, 6 circuits>



<5, 7 circuits>



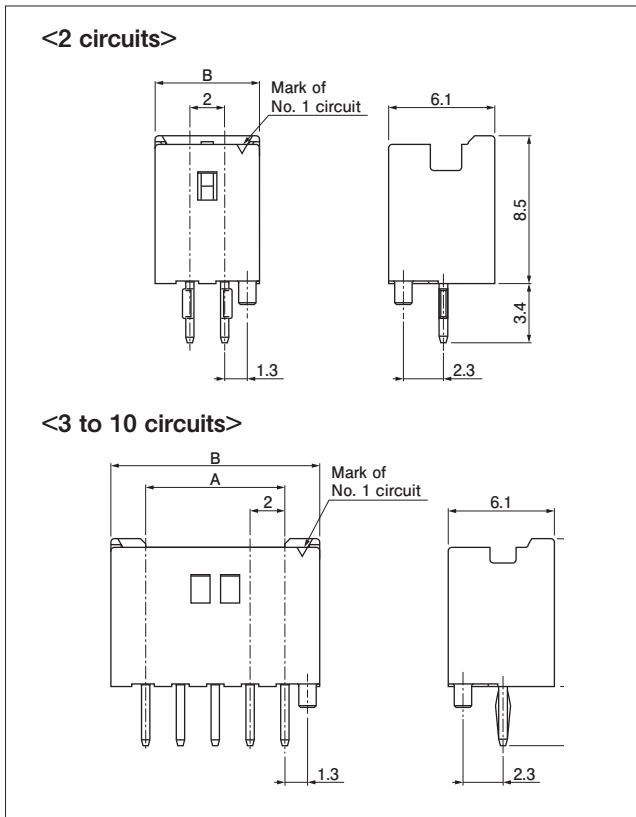
No. of circuits	Model No.	Dimensions (mm)		Q'ty/box
		A	B	
2	PLIP-02V-S	—	5.7	1,000
3	PLIP-03V-S	4.0	7.7	1,000
4	PLIP-04V-S	6.0	9.7	1,000
5	PLIP-05V-S	8.0	11.7	1,000
6	PLIP-06V-S	10.0	13.7	1,000
7	PLIP-07V-S	12.0	15.7	1,000
8	PLIP-08V-S	14.0	17.7	500
9	PLIP-09V-S	16.0	19.7	500
10	PLIP-10V-S	18.0	21.7	500

Material and Finish

PBT (Glass-filled), UL94V-0, natural

PLI CONNECTOR

Header



No. of circuits	Model No.	Dimensions (mm)		Q'ty/box
		A	B	
2	B02B-PLISK-1	—	6.0	1,000
3	B03B-PLISK-1	4.0	8.0	1,000
4	B04B-PLISK-1	6.0	10.0	500
5	B05B-PLISK-1	8.0	12.0	500
6	B06B-PLISK-1	10.0	14.0	400
7	B07B-PLISK-1	12.0	16.0	350
8	B08B-PLISK-1	14.0	18.0	300
9	B09B-PLISK-1	16.0	20.0	250
10	B10B-PLISK-1	18.0	22.0	250

Material and Finish

Post: Copper alloy, copper-undercoated, tin-plated
Wafer: PA 66 (Glass-filled), UL94V-0, natural

Note: This product displays (LF)(SN) on a label.

Model number allocation

Contact

S PLI - 002 T - P 0.5

Supply form: Strip form

Series name

Applicable wire range: 002...AWG #28 to AWG #24
001...AWG #26 to AWG #22

Surface finish: Tin-plated

Material: Copper alloy

Applicable post size

Socket housing

PLI P - 02 V - S

Series name

Type: Socket

No. of circuits

Flammability: UL94V-0

Color: S...Natural, R...Red, E...Blue

Header

B 02 B - PLI S K - 1

Header type: Top entry type

No. of circuits

Assembly product

Series name

Color: S...Natural, R...Red, E...Blue

Post type: Clinched

Presence of boss: With boss