



# PS CONNECTOR

## Connectors for tabs

- **Secure locking, easy insertion**
- **Stable contact performance**
- **Mis-insertion prevention mechanism and housing lance**
- **Tab mis-mating prevention mechanism (Short housing type)**
- **The product compatible with glow wire is also available for short housing type.**

### Standards

Recognized E60389

Certified LR20812

R9850196

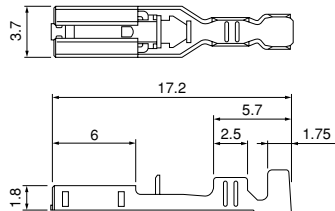
### Specifications

- Current rating: 25 A AC, DC (#250 Tab/AWG #10)
  - Voltage rating: 250 V AC, DC
  - Temperature range: -40°C to +105°C  
(including temperature rise in applying electrical current)
  - Contact resistance: Initial value/ 3 mΩ max.  
After environmental tests/ 6 mΩ max.
  - Insulation resistance: 1,000 MΩ min.
  - Withstanding voltage: 2,000 VAC/minute
  - Applicable wire: #110...AWG #24 to #16 #187...AWG #26 to #14  
#205...AWG #22 to #14 #250...AWG #22 to #10
  - Applicable Tab: #110 Tab 0.5 mm thick  
#187 Tab 0.5 mm/ 0.8 mm thick  
#205 Tab 0.5 mm/ 0.8 mm thick  
#250 Tab 0.8 mm thick
- \* Contact JST when you use the glow wire correspondence product of PS-250-G (Short housing type).  
\* Refer to "General Instruction and Notice when using Terminals and Connectors" at the end of this catalog.  
\* Contact JST for details.  
\* Compliant with RoHS.

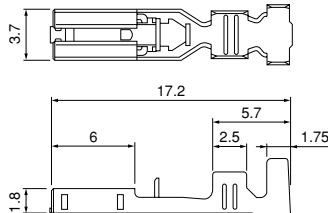
### Contact

#### #110 Series

##### SPS-01T-110



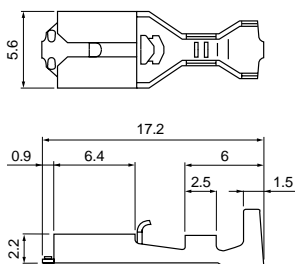
##### SPS-41T-110



#### #187 Series

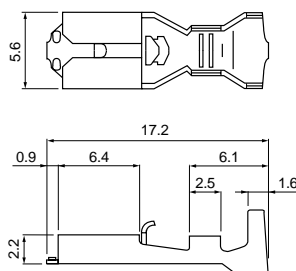
##### SPS-01T-187

(for 0.5 mm thick tabs)



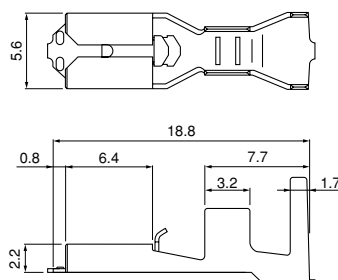
##### SPS-51T-187

(for 0.5 mm thick tabs)



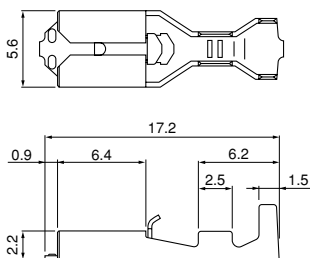
##### SPS-82T-187

(for 0.5 mm thick tabs)



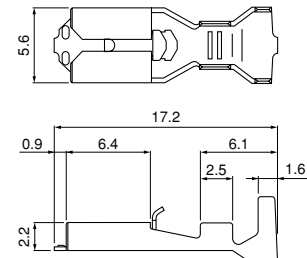
##### SPS-01T-187-8

(for 0.8 mm thick tabs)



##### SPS-51T-187-8

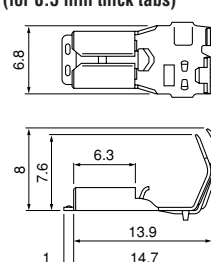
(for 0.8 mm thick tabs)



#### <Flag type>

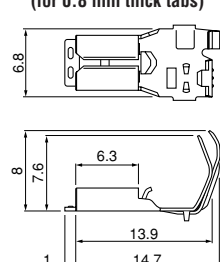
##### SFPS-41T-187

(for 0.5 mm thick tabs)



##### SFPS-41T-187-8

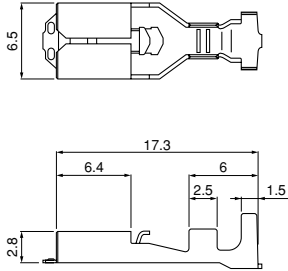
(for 0.8 mm thick tabs)



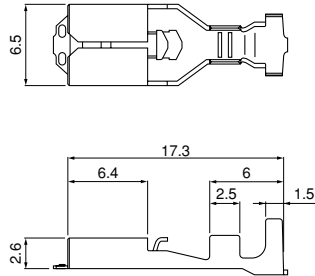
## Contact

### #205 Series

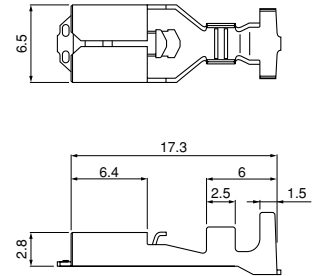
**SPS-21T-205**  
(for 0.8 mm thick tabs)



**SPS-21T-205-5**  
(for 0.5 mm thick tabs)

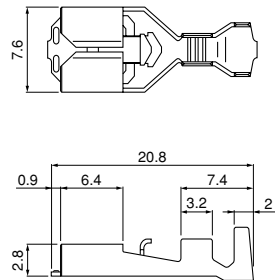


**SPS-51T-205**  
(for 0.8 mm thick tabs)

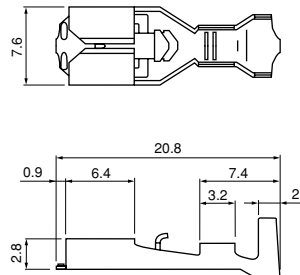


### #250 Series

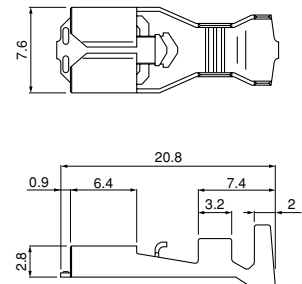
**SPS-21T-250**



**SPS-61T-250**

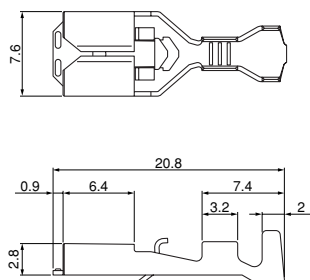


**SPS-91T-250**

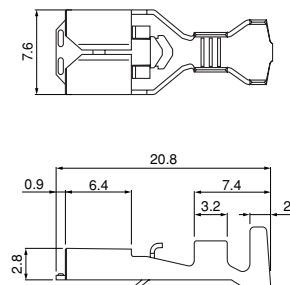


### <Short housing type>

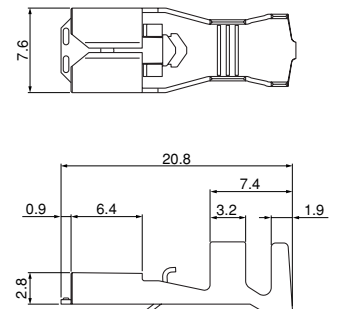
**SPS-21T-250R**



**SPS-61T-250R**



**SPS-91T-250R**



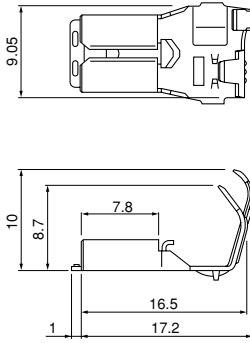
# PS CONNECTOR

## Contact

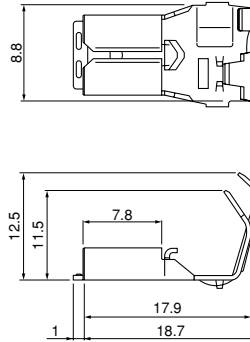
### #250 Series

<Flag type>

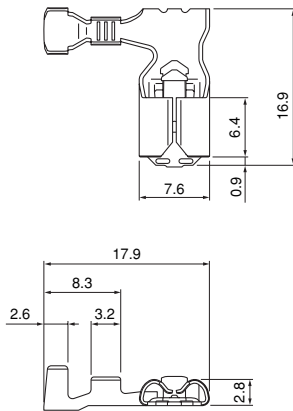
SFPS-61T-250



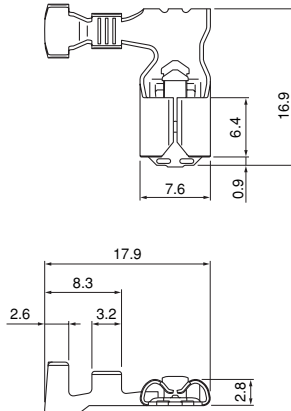
SFPS-91T-250



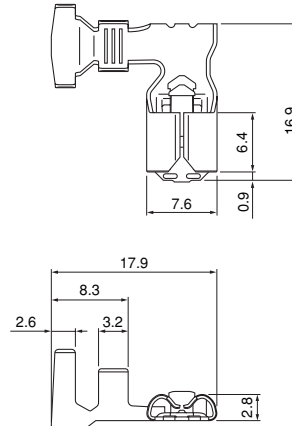
SFPS-21T-250H



SFPS-61T-250H

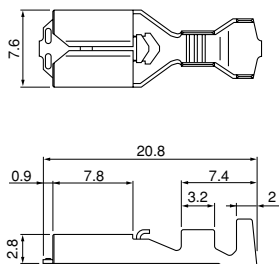


SFPS-91T-250H

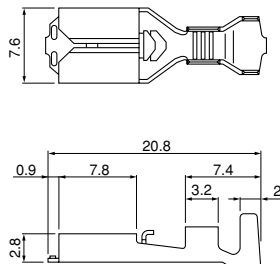


### #250S Series

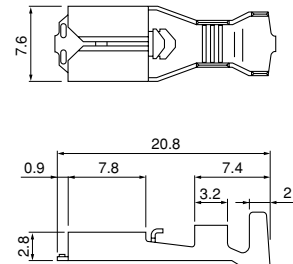
SPS-21T-250S



SPS-61T-250S



SPS-91T-250S



## Contact

| Series    | Model No.             | Applicable wire            |                    | Insulation O.D.(mm)        | Q'ty/reel |        |
|-----------|-----------------------|----------------------------|--------------------|----------------------------|-----------|--------|
|           |                       | mm <sup>2</sup>            | AWG #              |                            |           |        |
| #110      | SPS-01T-110           | 0.21~0.5                   | 24~20              | 1.0~2.5                    | 10,000    |        |
|           | SPS-41T-110           | 0.5 ~ 1.31                 | 20~16              | 1.9~3.4                    | 10,000    |        |
| #187      | for 0.5 mm thick tabs | SPS-01T-187                | 0.13~0.5           | 26~20                      | 1.3~3.4   |        |
|           |                       | SPS-51T-187                | 0.5 ~ 2.0          | 20~14                      | 1.9~3.6   |        |
|           | *SPS-82T-187          | 0.75+0.75~1.25+1.25        | 18+18~16+16        | 2.1+2.1~2.9+2.9            | 3,500     |        |
|           | for 0.8 mm thick tabs | SPS-01T-187-8              | 0.13~0.5           | 26~20                      | 1.3~3.4   | 10,000 |
|           |                       | SPS-51T-187-8              | 0.5 ~ 2.0          | 20~14                      | 1.9~3.6   | 7,500  |
| #187 flag | for 0.5 mm thick tabs | SFPS-41T-187               | 0.3 ~ 1.25         | 22~16                      | 1.7~3.4   |        |
|           | for 0.8 mm thick tabs | SFPS-41T-187-8             | 0.3 ~ 1.31         | 22~16                      | 1.7~3.4   |        |
| #205      | for 0.8 mm thick tabs | SPS-21T-205                | 0.3 ~ 0.75         | 22~18                      | 1.5~3.1   |        |
|           | for 0.5 mm thick tabs | SPS-21T-205-5              | 0.3 ~ 0.75         | 22~18                      | 1.5~3.1   |        |
|           | for 0.8 mm thick tabs | SPS-51T-205                | 0.5 ~ 2.0          | 20~14                      | 1.9~3.6   |        |
| #250      | SPS-21T-250           | 0.3 ~ 0.75                 | 22~18              | 1.5~3.1                    | 5,000     |        |
|           | SPS-21T-250R          | 0.3 ~ 0.75                 | 22~18              | 1.5~3.1                    | 3,500     |        |
|           | SPS-61T-250           | 0.75~2.0                   | 18~14              | 2.1~3.9                    | 5,000     |        |
|           | SPS-61T-250R          | 0.75~2.0                   | 18~14              | 2.1~3.9                    | 3,500     |        |
|           | SPS-91T-250           | 2.0 ~ 5.5                  | 14~10              | 3.0~4.7                    | 4,000     |        |
|           | SPS-91T-250R          | 2.0 ~ 5.5                  | 14~10              | 3.0~4.7                    | 3,500     |        |
| #250 flag | SFPS-61T-250          | 0.75~2.0                   | 18~14              | 2.1~3.9                    | 3,000     |        |
|           | SFPS-91T-250          | 3.5 ~ 5.5                  | 12~10              | 4.0~5.2                    | 2,000     |        |
|           | SFPS-21T-250H         | 0.3 ~ 0.75                 | 22~18              | 1.5~3.1                    | 1,300     |        |
|           | SFPS-61T-250H         | 0.75~2.0                   | 18~14              | 2.1~3.9                    | 1,300     |        |
|           | SFPS-91T-250H         | 2.0~5.5, 1.25+1.25~2.0+2.0 | 14~10, 16+16~14+14 | 3.5~7.2, 1.75+1.75~3.6+3.6 | 1,300     |        |
| #250S     | SPS-21T-250S          | 0.3 ~ 0.75                 | 22~18              | 1.5~3.1                    | 5,000     |        |
|           | SPS-61T-250S          | 0.75~2.0                   | 18~14              | 2.1~3.9                    | 5,000     |        |
|           | SPS-91T-250S          | 2.0 ~ 5.5                  | 14~10              | 3.0~4.7                    | 4,000     |        |

### Material and Finish

Brass, tin-plated (reflow treatment)

### RoHS compliance

Note: \*Marked product is not approved by CSA/TÜV standards.

| Contact           | Crimping machine | Applicator       |                  |                            |
|-------------------|------------------|------------------|------------------|----------------------------|
|                   |                  | Crimp applicator | Dies             | Crimp applicator with dies |
| SPS-01T-110       | AP-K2N           | MK-L-SPS         | MK/SPS-01-110    | APLMK SPS01-110            |
|                   |                  | —                | —                | —                          |
| SPS-41T-110       |                  | MK-L-SPS         | MK/SPS-41-110    | APLMK SPS41-110            |
|                   |                  | —                | —                | —                          |
| SPS-01T-187 (-8)  |                  | MK-L-SPS         | MK/SPS-01-187    | APLMK SPS01-187            |
| —                 |                  | —                | —                | —                          |
| SPS-51T-187 (-8)  |                  | MK-L-SPS         | MK/SPS-51-187    | APLMK SPS51-187            |
| —                 |                  | —                | —                | —                          |
| SPS-82T-187       |                  | MK-L-SPS         | MK/SPS-82-187    | APLMK SPS82-187            |
| —                 |                  | —                | —                | —                          |
| SFPS-41T-187 (-8) |                  | MKF-L-PS187      | MK/SFPS-41-187   | APL SFPS41-187             |
| —                 |                  | —                | —                | —                          |
| SPS-21T-205 (-5)  |                  | MK-L-SPS         | MK/SPS-21-205    | APLMK SPS21-205            |
| —                 |                  | —                | —                | —                          |
| SPS-51T-205       |                  | MK-L-SPS         | MK/SPS-51-205    | APLMK SPS51-205            |
| —                 |                  | —                | —                | —                          |
| SPS-21T-250 (S)   | MK-L-SPS         | MK/SPS-21-250    | APLMK SPS21-250  |                            |
| —                 | —                | —                | —                |                            |
| SPS-21T-250R      | MK-L-SPS         | MK/SPS-21-250R   | APLMK SPS21-250R |                            |
| —                 | —                | —                | —                |                            |

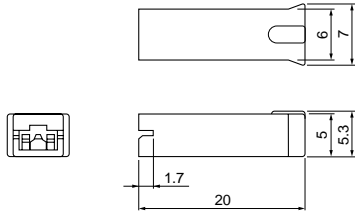
| Contact         | Crimping machine | Applicator       |                   |                            |
|-----------------|------------------|------------------|-------------------|----------------------------|
|                 |                  | Crimp applicator | Dies              | Crimp applicator with dies |
| SPS-61T-250 (S) | AP-K2N           | MK-L-SPS         | MK/SPS-61-250     | APLMK SPS61-250            |
|                 |                  | —                | —                 | —                          |
| SPS-61T-250R    |                  | MK-L-SPS         | MK/SPS-61-250R    | APLMK SPS61-250R           |
|                 |                  | —                | —                 | —                          |
| SPS-91T-250 (S) |                  | MK-L-SPS         | MK/SPS-91-250     | APLMK SPS91-250            |
|                 |                  | —                | —                 | —                          |
| SPS-91T-250R    |                  | MK-L-SPS         | MK/SPS-91-250R    | APLMK SPS91-250R           |
|                 |                  | —                | —                 | —                          |
| SFPS-61T-250    |                  | MKF-L-PS250      | MK/SFPS-61-250    | APL SFPS61-250             |
|                 |                  | —                | —                 | —                          |
| SFPS-91T-250    |                  | MKF-L-PS9250     | MK/SFPS-91-250    | APL SFPS91-250             |
|                 |                  | —                | —                 | —                          |
| SFPS-21T-250H   |                  | MKS-L-RASRSF     | MK/SFPS-21-250H   | APLMK SFPS21-250H          |
|                 |                  | —                | —                 | —                          |
| SFPS-61T-250H   |                  | MKS-L-RASRSF     | MK/SFPS-61-250H   | APLMK SFPS61-250H          |
|                 |                  | —                | —                 | —                          |
| SFPS-91T-250H   | MKS-L-RASRSF     | MK/SFPS-91-250H  | APLMK SFPS91-250H |                            |
|                 | —                | —                | —                 |                            |

# PS CONNECTOR

## Housing

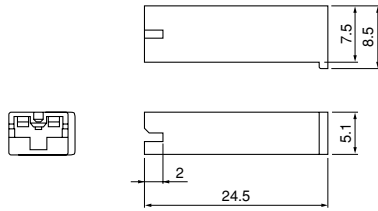
### #110 Series

#### PS-110

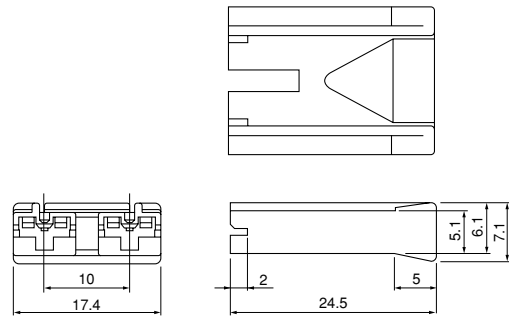


### #187 Series

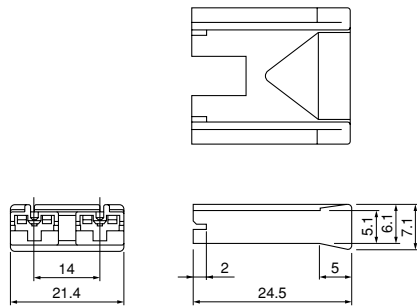
#### PS-187



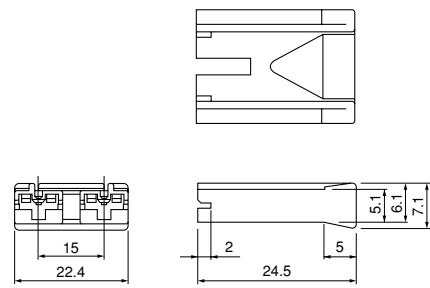
#### PS-187-2A-10



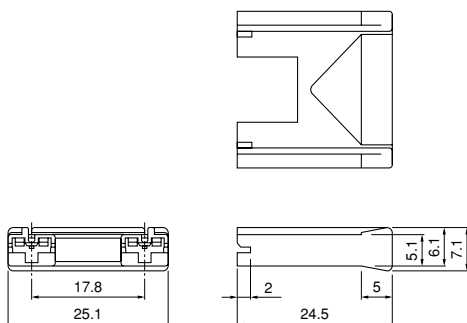
#### PS-187-2A-14



#### PS-187-2A-15



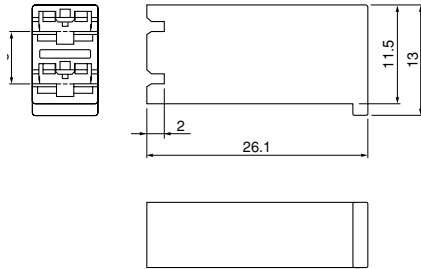
#### PS-187-2A-17.8



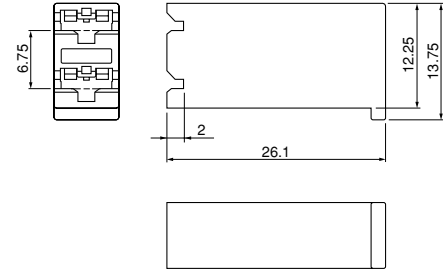
## Housing

### #187 Series

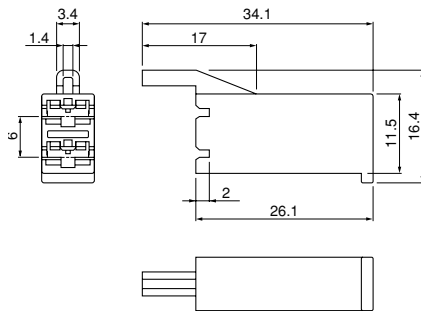
PS-187-2B



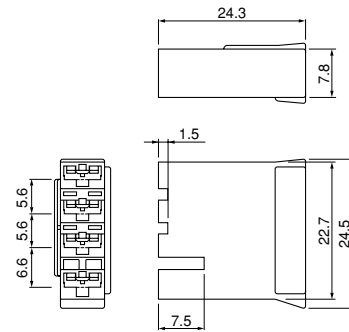
PS-187-2B-6.75



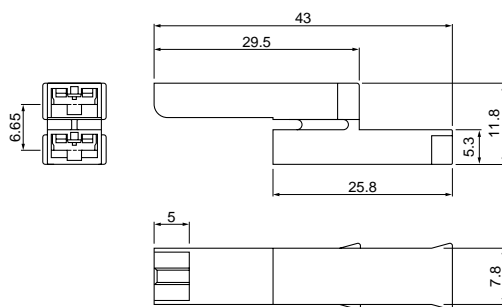
PS-187-2B1



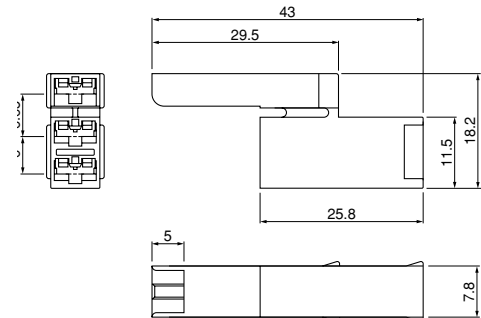
PS-187-4B



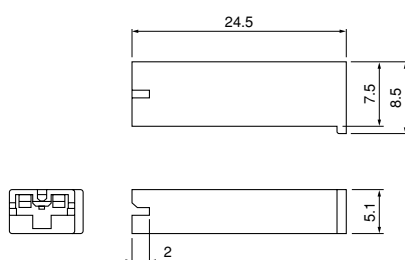
PS-187-2V



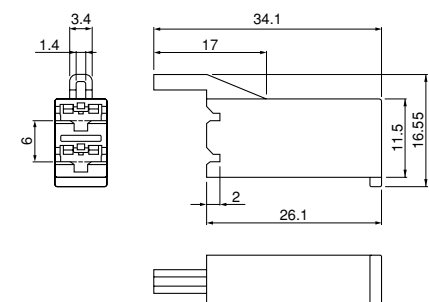
PS-187-3V



PS-187-8-H



PS-187-2B1-8-H

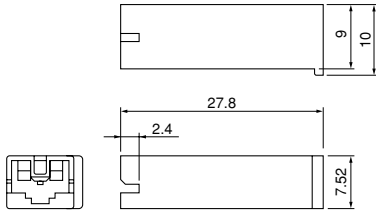


# PS CONNECTOR

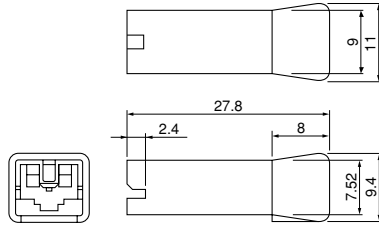
## Housing

### #250 Series

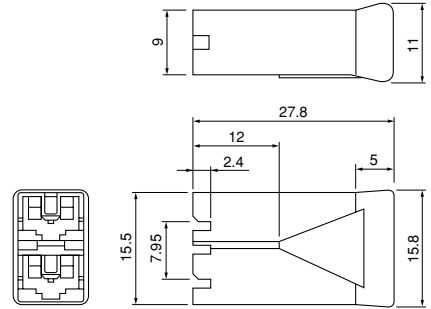
#### PS-250



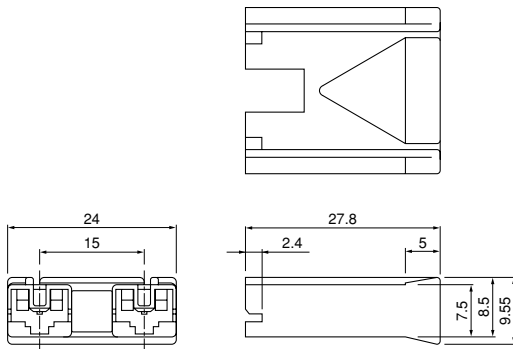
#### PS-250-A



#### PS-250-2B

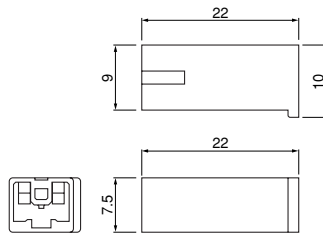


#### PS-250-2A-15

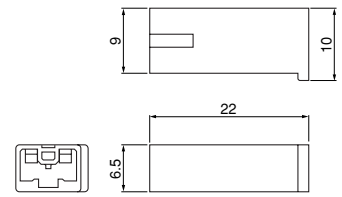


### <Short housing type>

#### PS-250-G (-WGJ2)

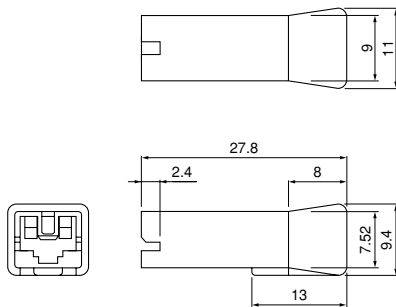


#### PS-250-GL (Thin type)



### #250S Series

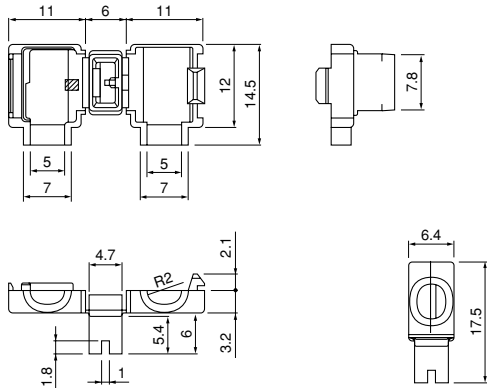
#### NPS-250-A



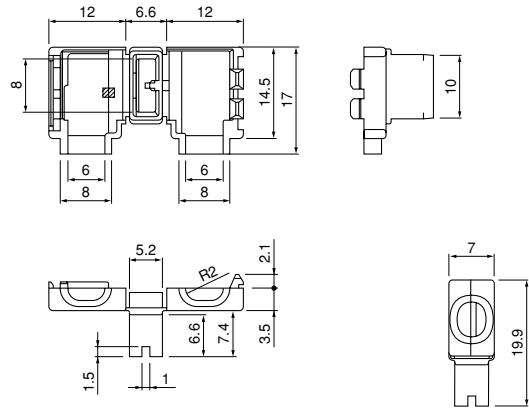
## Housing

### One-touch sleeve

#### FPS-187



#### FPS-250



| Series                                    | Model No.        | Qty/bag      | Applicable terminal                          |                                              |
|-------------------------------------------|------------------|--------------|----------------------------------------------|----------------------------------------------|
| #110                                      | PS-110           | 1,000        | SPS-01T-110, SPS-41T-110                     |                                              |
| #187                                      | PS-187           | 1,000        | SPS-01T-187<br>SPS-51T-187<br>SPS-82T-187    |                                              |
|                                           | PS-187-2A-10     | 500          |                                              |                                              |
|                                           | PS-187-2A-14     | 500          |                                              |                                              |
|                                           | PS-187-2A-15     | 500          |                                              |                                              |
|                                           | PS-187-2A-17.8   | 500          |                                              |                                              |
|                                           | PS-187-2B        | 500          |                                              |                                              |
|                                           | PS-187-2B-6.75   | 500          |                                              |                                              |
|                                           | PS-187-2B1       | 500          | SPS-01T-187-8<br>SPS-51T-187-8               |                                              |
|                                           | PS-187-4B        | 500          |                                              |                                              |
|                                           | PS-187-2V        | 500          |                                              |                                              |
|                                           | PS-187-3V        | 500          |                                              |                                              |
| #250                                      | * PS-187-8-H     | 1,000        | SPS-01T-187-8<br>SPS-51T-187-8               |                                              |
|                                           | * PS-187-2B1-8-H | 500          |                                              |                                              |
|                                           | PS-250           | 1,000        | SPS-21T-250<br>SPS-61T-250<br>SPS-91T-250    |                                              |
|                                           | PS-250-A         | 500          |                                              |                                              |
|                                           | PS-250-2B        | 500          |                                              |                                              |
|                                           | #250S            | PS-250-2A-15 | 500                                          | SPS-21T-250R<br>SPS-61T-250R<br>SPS-91T-250R |
|                                           |                  | PS-250-G     | 1,400                                        |                                              |
| PS-250-GL                                 |                  | 1,400        |                                              |                                              |
| PS-250-G-WGJ2 (Compatible with glow wire) |                  | 1,400        |                                              |                                              |
| One-touch sleeve                          | NPS-250-A        | 1,000        | SPS-21T-250S<br>SPS-61T-250S<br>SPS-91T-250S |                                              |
|                                           | * FPS-187        | 500          | SFPS-41T-187                                 |                                              |
|                                           | * FPS-250        | 500          | SFPS-61T-250                                 |                                              |

#### Material and Finish

PA 66, UL94V-0, natural (white)  
 UL94V-0, gray <\*-marked housing...for 0.8 mm thick tabs>  
 PA 6, UL94V-2, natural (white) (Compatible with glow wire)

#### RoHS compliance

Note: FPS-187 and FPS-250 are UL recognized with File No. E55167 and CSA certified with File No. LR83372, but not TÜV approved.

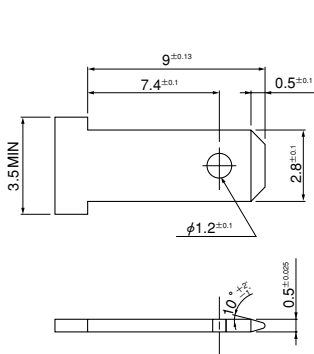


# PS CONNECTOR

## Applicable tab

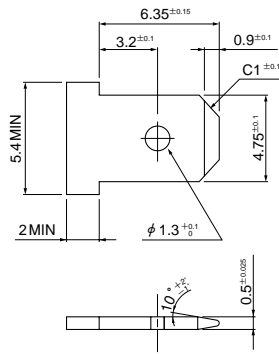
### #110

(for 0.5 mm thick tabs)

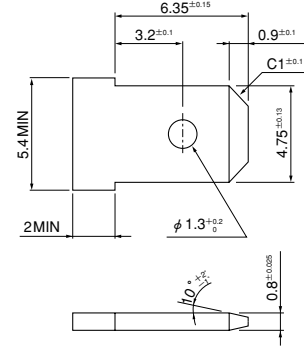


### #187

(for 0.5 mm thick tabs)

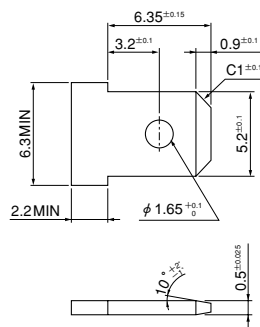


(for 0.8 mm thick tabs)

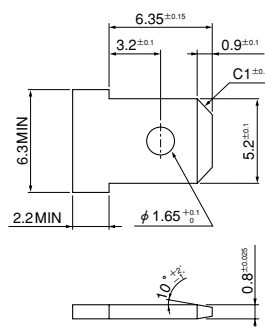


### #205

(for 0.5 mm thick tabs)

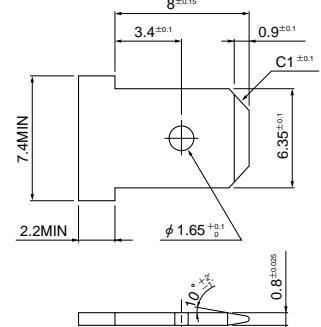


(for 0.8 mm thick tabs)



### #250

(for 0.8 mm thick tabs)



Note: 1. Contact JST when using PS connector for Micro-switch.

2. Make sure there are no unneeded ribs or other protuberances on tab surfaces.

3. Use the brass product for material.

4. Contact JST when using PS-187-4B.

## X-ON Electronics

Largest Supplier of Electrical and Electronic Components

*Click to view similar products for [Terminals](#) category:*

*Click to view products by [JST](#) manufacturer:*

Other Similar products are found below :

[00-054007-01074-6](#) [00-054007-70206-1](#) [00-054007-70210-8](#) [00-054007-70217-7](#) [00-054007-70228-3](#) [00-054007-70256-6](#) [00-054007-70316-7](#) [00-054007-49560-4](#) [00-054007-70209-2](#) [00-054007-70231-3](#) [00-054007-70241-2](#) [00-054007-70242-9](#) [00-054007-70246-7](#) [00-054007-70263-4](#) [00-054007-70288-7](#) [00-054007-70290-0](#) [00-054007-70300-6](#) [00-054007-70304-4](#) [01-2900-1-04412](#) [00581P0075](#) [600TS-10](#) [60205-1](#) [604200-1](#) [605601-1](#) [60598-1-CUT-TAPE](#) [60617-1-C](#) [61314-6-C](#) [61810-3](#) [62149-1](#) [626-0194](#) [62-NBM-A](#) [62-SP](#) [63-S](#) [M55155/059I03](#) [M55155/079C01](#) [M55155/099B03](#) [M55155/099H02](#) [M55155/109H01](#) [M55155/109H02](#) [M55155/12XH05](#) [M55155/16XH02](#) [M55155/29-5S](#) [M55155/29XJ08](#) [M55155/30-6S](#) [M55155/30-9S](#) [M55155/30XI09](#) [696683-1](#) [696861-1](#) [696999-1](#) [M86700006](#)