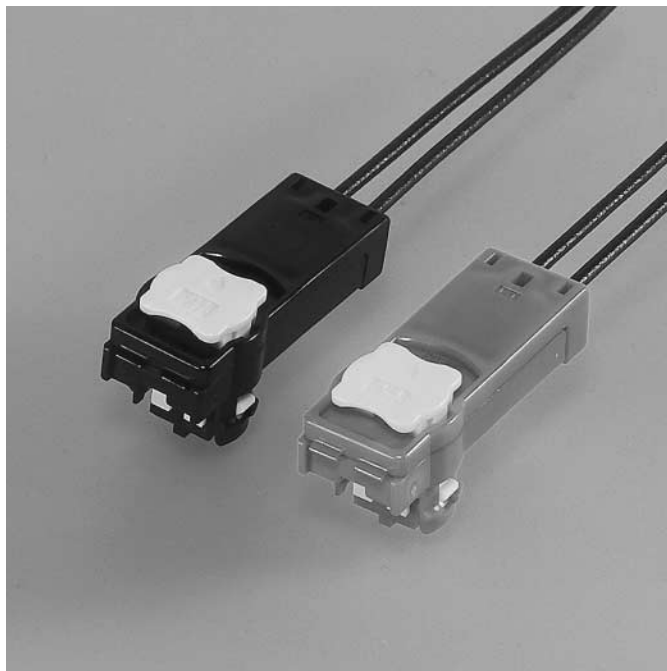


# SQS CONNECTOR

## Squib connectors



This connector for air-bag has intelligent CPA, which allows locking the connector, incomplete mating detection and release of short-circuit at the same time.

### Features

#### ●Mating

Intelligent CPA adopted. It enables the connector to be locked securely and prevents incomplete mating on the assembly line resulting in improved connector retention force.

#### ●Terminal construction

It is designed to prevent the deformation of the contact part when processing wire harness by protecting the contact part of each terminal with a box.

#### ●Scooping (kojiri) preventive construction

Using a shunt ring with a countermeasure for scooping (kojiri), the resistance to scooping (kojiri) insertion and withdrawal is improved.

#### ●Noise suppression

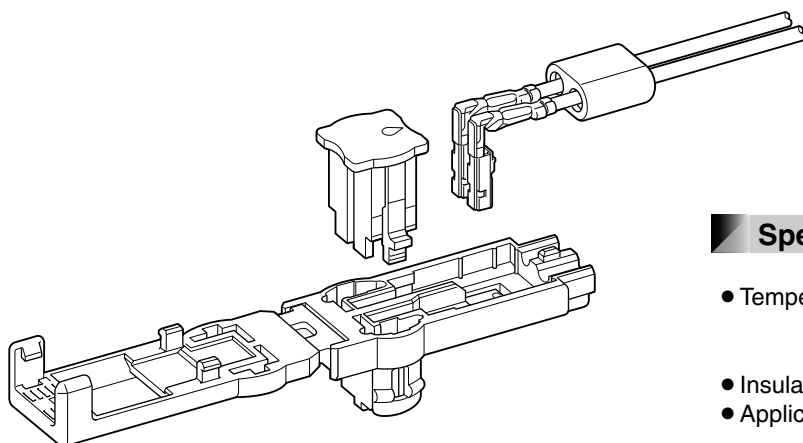
Ferrite core provides simple and reliable noise suppression characteristics.

#### ●Two types of CPA housing

1A type: Normal type

2A type: CPA housing has the jig tool insertion part in a tail part in order to easily connector disassembly operation with a jig tool such as drivers.

- \* They are selectable by usage and installed place of connector.
- \* Contact JST for details.



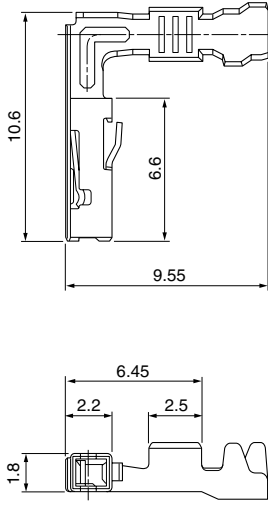
### Specifications

- Temperature range:  $-30^{\circ}\text{C}$  to  $+80^{\circ}\text{C}$   
(including temperature rise in applying electrical current)
- Insulation resistance: 100 M $\Omega$  min.
- Applicable wire: 0.3 mm<sup>2</sup> to 0.5 mm<sup>2</sup>

- \* Compliant with ELV/RoHS.
- \* Contact JST for details.

# SQS CONNECTOR

## Female terminal

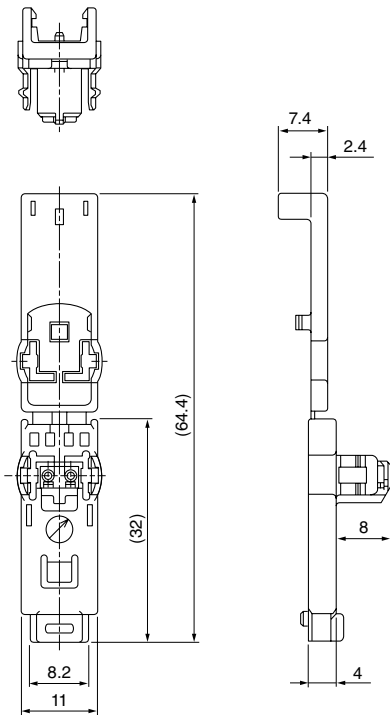


| Model No.            | Applicable wire range        |                      | Q ty/reel |
|----------------------|------------------------------|----------------------|-----------|
|                      | Conductor (mm <sup>2</sup> ) | Insulation O.D. (mm) |           |
| <b>SQS-A03GF-P-P</b> | 0.3 to 0.5                   | 1.0 to 1.6           | 6,500     |
| <b>SQS-A03GI-P-P</b> | 0.3 to 0.5                   | 1.0 to 1.6           | 6,500     |

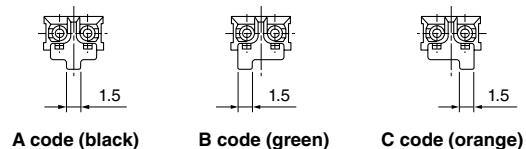
### Material and Finish

GF: Copper alloy, nickel-undercoated,  
Contact area; gold-plated (0.4 μm min.)  
GI: Copper alloy, nickel-undercoated,  
Contact area; gold-plated (0.8 μm min.)

## Female housing



### • Keying figure



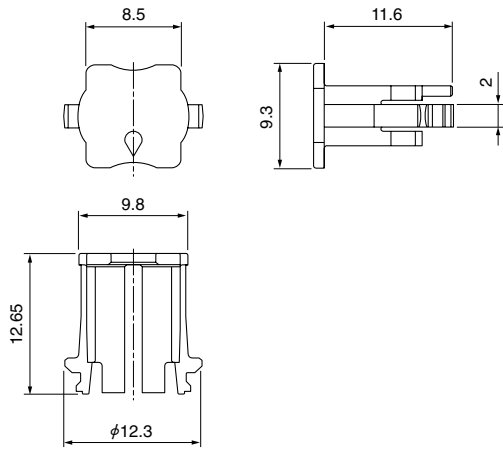
| Circuits | Model No.            | Keying figure | Q ty/box | Color  |
|----------|----------------------|---------------|----------|--------|
| 2        | <b>SQSR-02H-1A-K</b> | A code        | 1,000    | Black  |
|          | <b>SQSR-02H-1B-M</b> | B code        | 1,000    | Green  |
|          | <b>SQSR-02H-1C-D</b> | C code        | 1,000    | Orange |

### Material

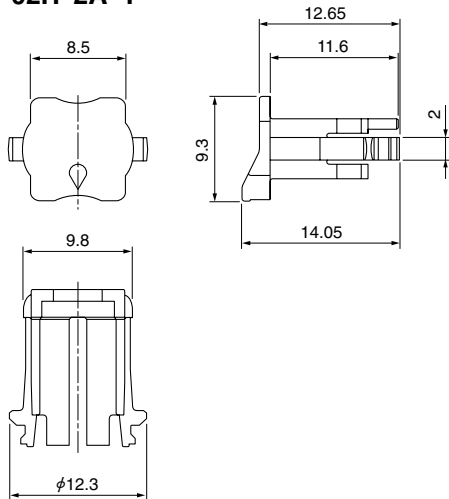
PBT

## CPA housing

### • SQSC-02H-1A-Y

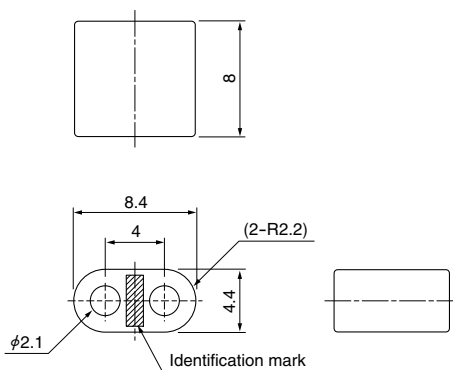


### • SQSC-02H-2A-Y



| Circuits         | Model No.            | Q ty/box | Color  |
|------------------|----------------------|----------|--------|
| 2                | <b>SQSC-02H-1A-Y</b> | 2,000    | Yellow |
|                  | <b>SQSC-02H-2A-Y</b> | 2,000    | Yellow |
| Material         |                      |          |        |
| Glass-filled PBT |                      |          |        |

## Ferrite



| Circuits | Model No.         | Q ty/box |
|----------|-------------------|----------|
| 2        | <b>SQSF-02-1A</b> | 3,000    |

## Crimping machine, Applicator

| Strip terminal       | Crimping machine | Crimp applicator MKS-L |                            |
|----------------------|------------------|------------------------|----------------------------|
|                      |                  | Dies                   | Crimp applicator with dies |
| <b>SQS-A03GF-P-P</b> | AP-K2N           | MK/SQS-A03-P           | APLMK SQS-A03-P            |
| <b>SQS-A03GI-P-P</b> |                  |                        |                            |

Note: When crimping operation is conducted using an applicator and die set other than the above, JST cannot guarantee the performance of the terminal.

## X-ON Electronics

Largest Supplier of Electrical and Electronic Components

*Click to view similar products for [Headers & Wire Housings](#) category:*

*Click to view products by [JST](#) manufacturer:*

Other Similar products are found below :

[0015917161](#) [0022155065](#) [57102-F02-18ULF](#) [58102-G61-06LF](#) [582553-1](#) [01.001.5753.1](#) [0050291907](#) [02.125.8002.8](#) [609-3404](#) [61062-3](#)  
[CSU011177004](#) [622-0430](#) [622-3653LF](#) [63453-116](#) [636-1030](#) [636-1427](#) [636-3427](#) [636-4007](#) [641938-9](#) [65495-038](#) [65692-001LF](#) [65781-018](#)  
[65781-047](#) [65817-010LF](#) [65817-015LF](#) [67095-007LF](#) [67601157](#) [68631-112](#) [699319-000](#) [70.362.1628.0](#) [70-4210](#) [70-4226B](#) [70-4853B](#) [707-](#)  
[5028](#) [71.350.2428.0](#) [733-134](#) [733-162](#) [760-3052](#) [MHR-64-VUAL](#) [80.063.4001.1](#) [800-90-001-10-001000](#) [801-43-002-10-013000](#)  
[801-43-006-10-002000](#) [803-43-024-10-001000](#) [803-93-012-10-001000](#) [8-1437020-4](#) [819-22-004-30-001101](#) [820-22-006-30-001101](#)  
[820-22-008-30-001101](#) [821-22-002-10-001101](#)