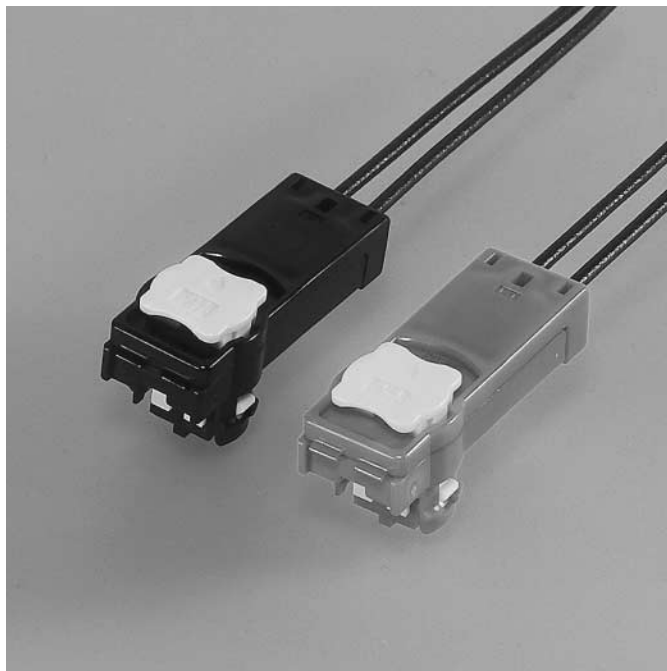


SQS CONNECTOR

Squib connectors



This connector for air-bag has intelligent CPA, which allows locking the connector, incomplete mating detection and release of short-circuit at the same time.

Features

●Mating

Intelligent CPA adopted. It enables the connector to be locked securely and prevents incomplete mating on the assembly line resulting in improved connector retention force.

●Terminal construction

It is designed to prevent the deformation of the contact part when processing wire harness by protecting the contact part of each terminal with a box.

●Scooping (kojiri) preventive construction

Using a shunt ring with a countermeasure for scooping (kojiri), the resistance to scooping (kojiri) insertion and withdrawal is improved.

●Noise suppression

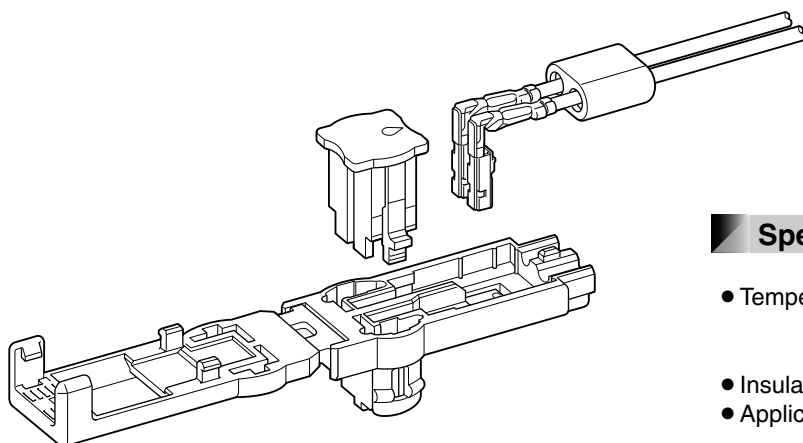
Ferrite core provides simple and reliable noise suppression characteristics.

●Two types of CPA housing

1A type: Normal type

2A type: CPA housing has the jig tool insertion part in a tail part in order to easily connector disassembly operation with a jig tool such as drivers.

- * They are selectable by usage and installed place of connector.
- * Contact JST for details.



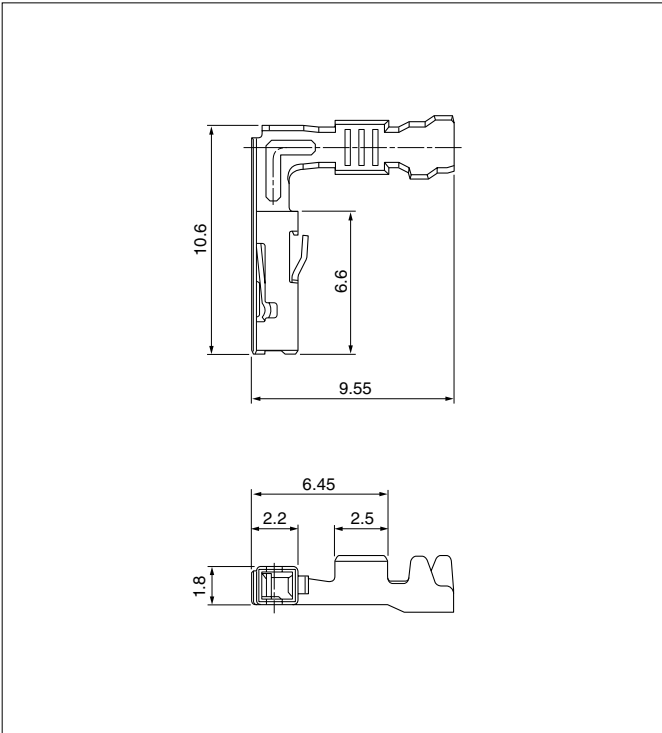
Specifications

- Temperature range: -30°C to $+80^{\circ}\text{C}$
(including temperature rise in applying electrical current)
- Insulation resistance: 100 M Ω min.
- Applicable wire: 0.3 mm² to 0.5 mm²

- * Compliant with ELV/RoHS.
- * Contact JST for details.

SQS CONNECTOR

Female terminal

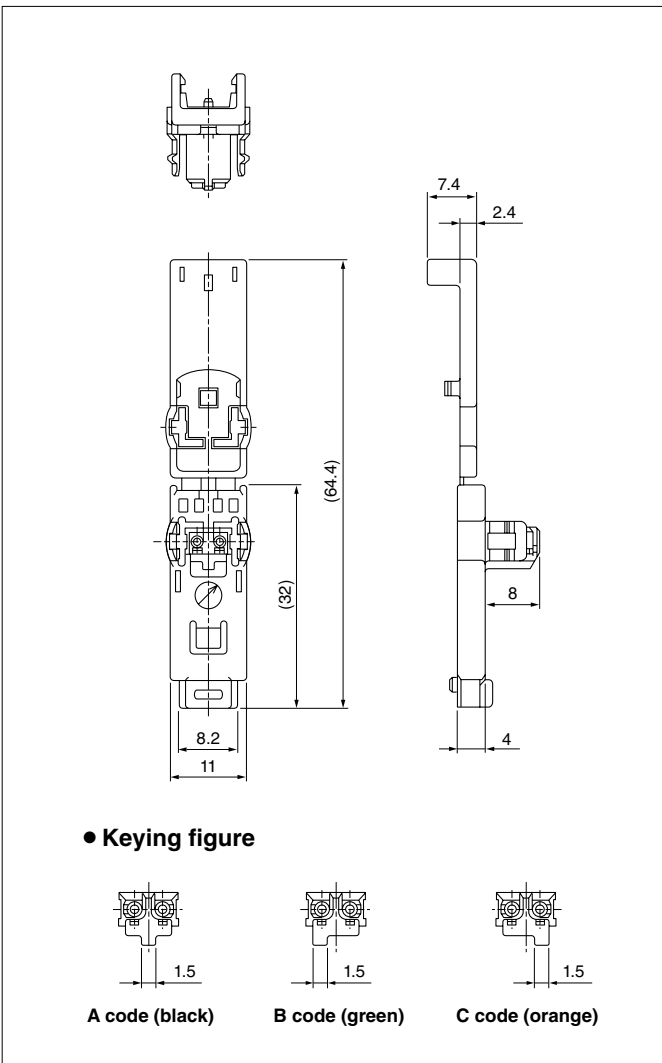


Model No.	Applicable wire range		Q ty/reel
	Conductor (mm ²)	Insulation O.D. (mm)	
SQS-A03GF-P-P	0.3 to 0.5	1.0 to 1.6	6,500
SQS-A03GI-P-P	0.3 to 0.5	1.0 to 1.6	6,500

Material and Finish

GF: Copper alloy, nickel-undercoated,
Contact area; gold-plated (0.4 μm min.)
GI: Copper alloy, nickel-undercoated,
Contact area; gold-plated (0.8 μm min.)

Female housing



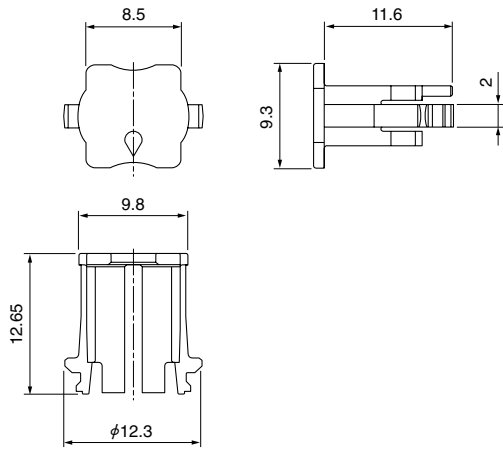
Circuits	Model No.	Keying figure	Q ty/box	Color
2	SQSR-02H-1A-K	A code	1,000	Black
	SQSR-02H-1B-M	B code	1,000	Green
	SQSR-02H-1C-D	C code	1,000	Orange

Material

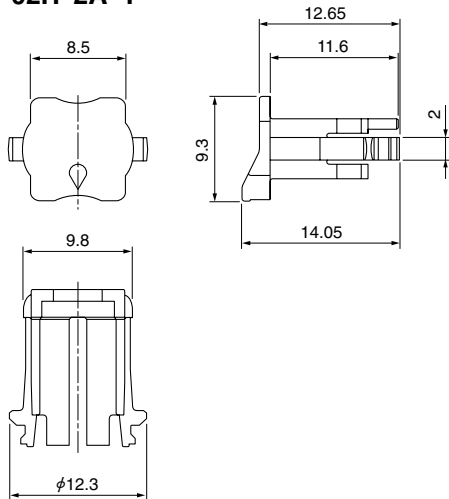
PBT

CPA housing

• SQSC-02H-1A-Y

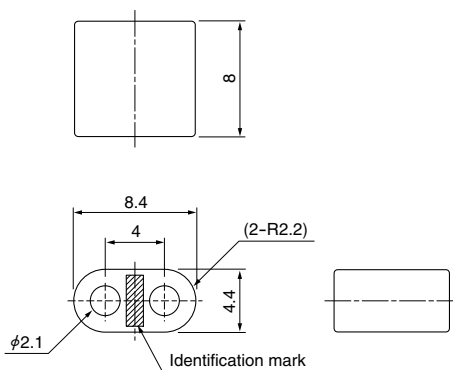


• SQSC-02H-2A-Y



Circuits	Model No.	Q ty/box	Color
2	SQSC-02H-1A-Y	2,000	Yellow
	SQSC-02H-2A-Y	2,000	Yellow
Material			
Glass-filled PBT			

Ferrite



Circuits	Model No.	Q ty/box
2	SQSF-02-1A	3,000

Crimping machine, Applicator

Strip terminal	Crimping machine	Crimp applicator MKS-L	
		Dies	Crimp applicator with dies
SQS-A03GF-P-P	AP-K2N	MK/SQS-A03-P	APLMK SQS-A03-P
SQS-A03GI-P-P			

Note: When crimping operation is conducted using an applicator and die set other than the above, JST cannot guarantee the performance of the terminal.

X-ON Electronics

Largest Supplier of Electrical and Electronic Components

Click to view similar products for [Headers & Wire Housings](#) category:

Click to view products by [JST](#) manufacturer:

Other Similar products are found below :

[0015917161](#) [0022155065](#) [57102-F02-18ULF](#) [58102-G61-06LF](#) [582553-1](#) [01.001.5753.1](#) [0050291907](#) [02.125.8002.8](#) [609-3404](#) [61062-3](#)
[CSU011177004](#) [622-0430](#) [622-3653LF](#) [63453-116](#) [636-1030](#) [636-1427](#) [636-3427](#) [636-4007](#) [641938-9](#) [65495-038](#) [65692-001LF](#) [65781-018](#)
[65781-047](#) [65817-010LF](#) [65817-015LF](#) [67095-007LF](#) [67601157](#) [68631-112](#) [68645-018](#) [699319-000](#) [70.362.1628.0](#) [70-4210](#) [70-4226B](#) [70-](#)
[4853B](#) [71.350.2428.0](#) [733-134](#) [733-162](#) [MHR-64-VUAL](#) [80.063.4001.1](#) [800-90-001-10-001000](#) [801-43-002-10-013000](#) [801-43-006-10-](#)
[002000](#) [803-43-024-10-001000](#) [803-93-012-10-001000](#) [8-1437020-4](#) [819-22-004-30-001101](#) [820-22-006-30-001101](#) [820-22-008-30-001101](#)
[821-22-002-10-001101](#) [821-22-003-10-002101](#)