

RING TONGUE TERMINAL

With insulation grip



Listed E42024

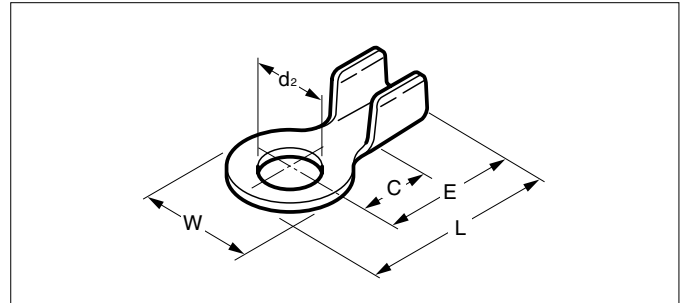
Certified LR20812

Model No.	Standard	Applicable wire			Material	Finish	Dimensions(mm)					Q'ty / reel	
		mm ²	AWG #	Insulation O.D. (mm)			d ₂ (dia.)	E	L	C	W		Material thickness
SRA-01T-3.2		0.2 to 0.5	24 to 20	1.5 to 2.7	Brass	Tin-plated	3.2	13.4	16.9	7.2	7.0	0.32	10,000
SRA-21-3						—							
SRA-21T-3						Tin-plated							
SRA-21-3.7						—							
SRA-21T-3.7		0.3 to 0.75	22 to 18	1.5 to 2.8	Brass	Tin-plated	3.7	13.0	16.8	5.8	7.5	0.5	7,500
SRA-21-4						—							
SRA-21T-4						Tin-plated							
SRA-21-4						—							
SRA-21-H5						—							
SRA-21T-H5						Tin-plated	5.1						
SRA-51-3						—							
SRA-51T-3						Tin-plated	3.2						
SRA-51-3.7						—							
SRA-51T-3.7		0.5 to 2.0	20 to 14	2.6 to 3.8	Brass	Tin-plated	3.7	13.0	16.8	5.8	7.5	0.5	7,500
SRA-51-4						—							
SRA-51T-4						Tin-plated							
SRA-51-4						—							
SRA-51-H5						—							
SRA-51T-H5						Tin-plated	5.1						
SRB-51-3						—							
SRB-51T-3						Tin-plated	3.2						
SRB-51-3.7						—							
SRB-51T-3.7						Tin-plated	3.7						
SRB-51-4		0.5 to 2.0	20 to 14	2.6 to 3.8	Brass	—	4.3	15.0	19.3	7.8	8.5	0.5	5,000
SRB-51T-4						Tin-plated							
SRB-51-H5						—							
SRB-51T-H5						Tin-plated							
SRB-51-5						—							
SRB-51T-5						Tin-plated	5.3						
SRC-01-2.5		0.2 to 0.3	24 to 22	1.3 to 1.7	Brass	—							
SRC-01T-2.5						Tin-plated	2.5	7.0	9.3	2.9	4.6	0.32	15,000
SRC-51-M3						—							
SRC-51T-M3						Tin-plated	3.2						
SRC-51-M3.5		0.5 to 2.0	20 to 14	2.6 to 3.8	Brass	—	3.7	13.5	16.8	6.7	6.5	0.5	7,500
SRC-51T-M3.5						Tin-plated							
SRC-51-M4						—							
SRC-51T-M4						Tin-plated							
SRC-51-3						—							
SRC-51T-3						Tin-plated	3.2						
SRC-51-3.7						—							
SRC-51T-3.7		0.5 to 2.0	20 to 14	2.6 to 3.8	Brass	Tin-plated	3.7	11.5	15.3	4.8	7.5	0.5	7,500
SRC-51-4						—							
SRC-51T-4						Tin-plated							
SRC-51-4						—							
SRC-51-H5						—							
SRC-51T-H5						Tin-plated	5.1						

RoHS compliance

RING TONGUE TERMINAL

Without insulation grip



UL Listed E42024

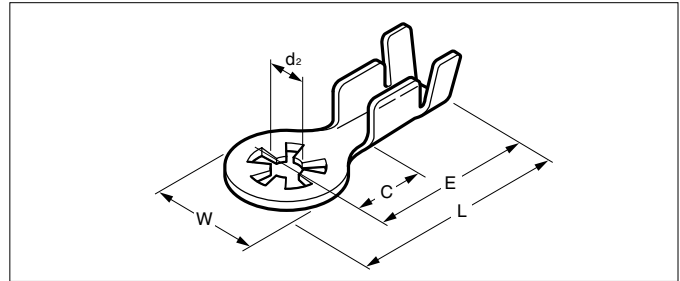
SF Certified LR20812

Model No.	Standard	Applicable wire		Material	Finish	Dimensions(mm)						Qty / reel
		mm ²	AWG #			d ₂ (dia.)	E	L	C	W	Material thickness	
SRA-20-2.5	UL SF	0.3 to 0.75	22 to 18	Brass	—	2.5	7.5	9.8	4.2	4.6	0.4	15,000
SRA-20T-2.5					Tin-plated							
SRA-20-3.2					—							
SRA-20T-3.2					Tin-plated	3.2						
SRA-50-3	UL SF	0.5 to 2.0	20 to 14	Brass	—	3.2	8.7	12.5	4.7	7.5	0.5	10,000
SRA-50T-3					Tin-plated							
SRA-50-3.7					—							
SRA-50T-3.7					Tin-plated	3.7						
SRA-50-4					—							
SRA-50T-4	Tin-plated	4.3										
SRA-50-H5					—	5.1						
SRA-50T-H5					Tin-plated							
SRB-50-3	UL SF	0.5 to 2.0	20 to 14	Brass	—	3.2	12.7	17.0	7.7	8.5	0.5	7,500
SRB-50T-3					Tin-plated							
SRB-50-3.7					—							
SRB-50T-3.7					Tin-plated	3.7						
SRB-50-4					—							
SRB-50T-4					Tin-plated	4.3						
SRB-50-H5					—							
SRB-50T-H5	Tin-plated	5.1										
SRB-50-5					—	5.3						
SRB-50T-5					Tin-plated							
SRC-50-M3	UL SF	0.5 to 2.0	20 to 14	Brass	—	3.2	10.0	13.3	6.7	6.5	0.5	15,000
SRC-50T-M3					Tin-plated							
SRC-50-M3.5					—							
SRC-50T-M3.5					Tin-plated	3.7						
SRC-50-M4					—	4.3						
SRC-50T-M4					Tin-plated							
SRD-20-3.7	UL SF	0.3 to 0.75	22 to 18	Brass	—	3.7	8.7	12.5	4.7	7.5	0.5	15,000
SRD-20T-3.7					Tin-plated							
SRD-20-4					—							
SRD-20T-4					Tin-plated	4.3						

RoHS compliance

RING TONGUE TERMINAL

With toothed lock



Recognized E42024

Certified LR20812

Model No.	Standard	Applicable wire			Material	Finish	Dimensions(mm)					Q'ty / reel	
		mm ²	AWG #	Insulation O.D. (mm)			d ₂ (dia.)	E	L	C	W		Material thickness
SRT-51T-3(FE)		0.5 to 1.25	20 to 16	1.7 to 3.4	Iron	Tin-plated	3.1	12.2	16.8	6.1	9.2	0.5	5,000
SRT-51T-4(FE)							4.1						

RoHS compliance

Crimping machine, Applicator

Contact	Crimping machine	Applicator		
		Crimp applicator	Dies	Crimp applicator with dies
SRA-01(T)-**	AP-K2N	MK-L	MK/SRA-01	APLMK SRA01
		-	-	-
SRA-20(T)-**		MK-L	MK/SRA-20	APLMK SRA20
		-	-	-
SRA-21(T)-**		MK-L	MK/SRA-21	APLMK SRA21
		-	-	-
SRA-50(T)-**		MK-L	MK/SRA-50	APLMK SRA50
		-	-	-
SRA-51(T)-**		MK-L	MK/SRA-51	APLMK SRA51
		-	-	-
SRB-50(T)-**		MK-L	MK/SRB-50	APLMK SRB50
		-	-	-
SRB-51(T)-**		MK-L	MK/SRB-51	APLMK SRB51
		-	-	-

Contact	Crimping machine	Applicator		
		Crimp applicator	Dies	Crimp applicator with dies
SRC-01(T)-**	AP-K2N	MK-L	MK/SRC-01	APLMK SRC01
		-	-	-
SRC-50(T)-**		MK-L	MK/SRC-50	APLMK SRC50
		-	-	-
SRC-51(T)-**		MK-L	MK/SRC-51	APLMK SRC51
		-	-	-
SRD-20(T)-**		MK-L	MK/SRD-20	APLMK SRD20
		-	-	-
SRF-51(T)-**		MK-L	MK/SRF-51	APLMK SRF51
		-	-	-
SRT-51T-**		MK-L	MK/SRT-51	APLMK SRT51
		-	-	-

* Compliant with RoHS.

* Refer to "General Instruction and Notice when using Terminals and Connectors" at the end of this catalog.

* Contact JST for details.

X-ON Electronics

Largest Supplier of Electrical and Electronic Components

Click to view similar products for [Terminals](#) category:

Click to view products by [JST](#) manufacturer:

Other Similar products are found below :

[00-054007-01074-6](#) [00-054007-70206-1](#) [00-054007-70210-8](#) [00-054007-70217-7](#) [00-054007-70228-3](#) [00-054007-70256-6](#) [00-054007-70316-7](#) [00-054007-49560-4](#) [00-054007-70209-2](#) [00-054007-70231-3](#) [00-054007-70241-2](#) [00-054007-70242-9](#) [00-054007-70246-7](#) [00-054007-70263-4](#) [00-054007-70288-7](#) [00-054007-70290-0](#) [00-054007-70300-6](#) [00-054007-70304-4](#) [01-2900-1-04412](#) [00581P0075](#) [600TS-10](#) [604200-1](#) [605601-1](#) [60598-1-CUT-TAPE](#) [60617-1-C](#) [61314-6-C](#) [61810-3](#) [62149-1](#) [626-0194](#) [62-NBM-A](#) [62-SP](#) [63-S](#) [M55155/059I03](#)
[M55155/079C01](#) [M55155/099B03](#) [M55155/099H02](#) [M55155/109H01](#) [M55155/12XH05](#) [M55155/16XH02](#) [M55155/29-5S](#) [M55155/29XJ08](#)
[M55155/30-6S](#) [M55155/30-9S](#) [M55155/30XI09](#) [M6-14RSX](#) [696683-1](#) [696861-1](#) [696999-1](#) [M86700006](#) [D18-110B-C](#)