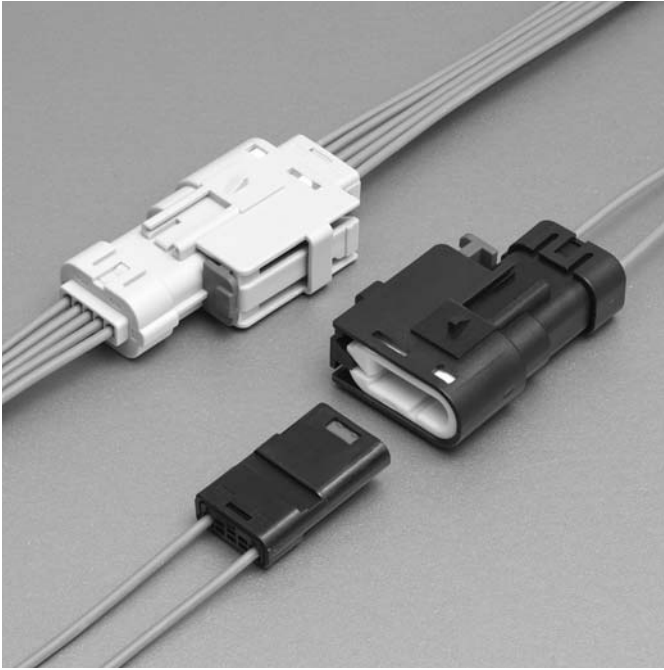
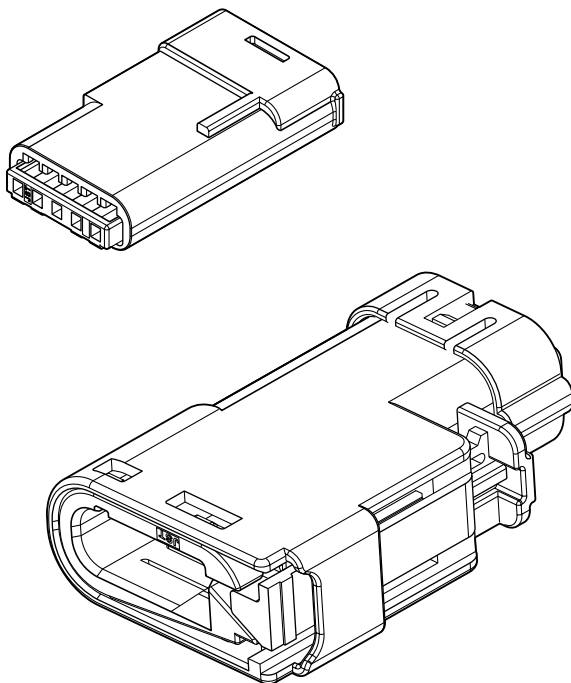


# SRV CONNECTOR

## Wire-to-wire/Sealed Connectors



1.2 Sealed Connector



### Features

- 2 circuits to 5 circuits, Wire-to-Wire Connection
- Connector Position Assurance (CPA) Mechanism
- Sealed Inline Connector
- 1.2 Clean Body Terminals
- Designed for Small Packaging

### Specifications

- Current rating: 7 A AC, DC max.
- Voltage rating: 14 V AC, DC
- Temperature range: -40°C to +125°C  
(including temperature rise in applying electrical current)
- Contact resistance: Initial value/ 8.0 mΩ max.  
After environmental tests/ 8.0 mΩ max.
- Insulation resistance: 100 MΩ min.
- Withstanding voltage: 1,000 VAC/minute
- Applicable wire: FLR2X-B  
0.35 mm<sup>2</sup> to 0.75 mm<sup>2</sup>

- \* Compliant with ELV/RoHS .
- \* Contact JST for details.

## Female terminal

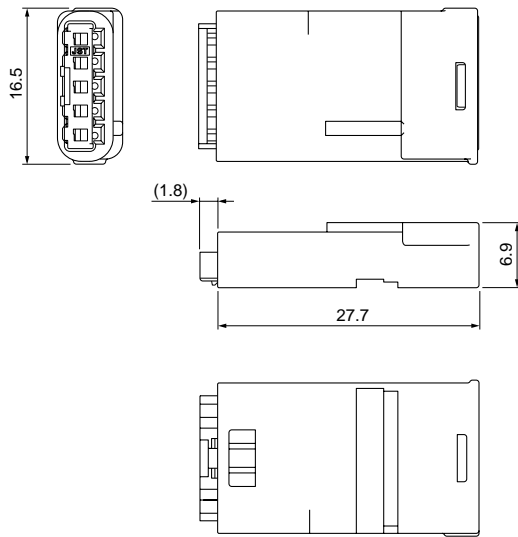
Model No.	Applicable wire range		
	Conductor (mm <sup>2</sup> )	Insulation O.D. (mm)	Gage Size
<b>1670144-1 or equivalent</b>	0.5 to 0.75	1.4 to 1.9	18-20AWG
<b>1534594-1 or equivalent</b>	0.35	1.2 to 1.4	22AWG

### Material and Finish

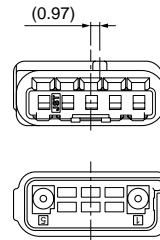
Copper alloy, tin-plated (refer to TE Connectivity for details)

Note: Contact JST for details.

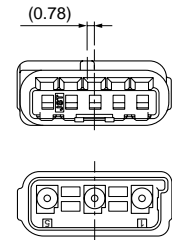
## Female connector



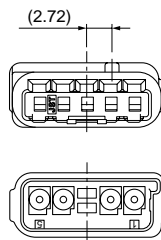
### • 2 circuits (Key D)



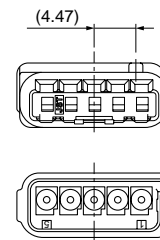
### • 3 circuits (Key C)



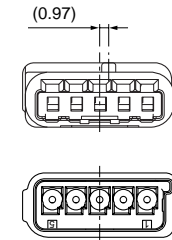
### • 4 circuits (Key B)



### • 5 circuits (Key A)



### • 5 circuits (Key D)



Circuits	Model No.	Key	Q'ty/box	Color of Housing and Back Cover
2	<b>SRVPB-D02-K</b>	D	6,000	Black
3	<b>SRVPB-C03-N</b>	C	6,000	Brown
4	<b>SRVPB-B04-S</b>	B	6,000	Natural
5	<b>SRVPB-A05-H</b>	A	6,000	Light gray
5	<b>SRVPB-D05-K</b>	D	6,000	Black

### Material and Finish

Housing: Glass-filled PBT  
 TPA: Glass-filled PBT, Red  
 Matte seal: Silicone, Green  
 Back cover: Glass-filled PBT

# SRV CONNECTOR

## Male terminal

Model No.	Applicable wire range		
	Conductor (mm <sup>2</sup> )	Insulation O.D. (mm)	Gage Size
1718350-1 or equivalent	0.5 to 0.75	1.4 to 1.9	18-20AWG
1718348-1 or equivalent	0.35	1.2 to 1.4	22AWG

### Material and Finish

Copper alloy, tin-plated (refer to TE Connectivity for details)

Note: Contact JST for details.

## Male connector

**• 2 circuits (Key D)**    **• 3 circuits (Key C)**    **• 4 circuits (Key B)**

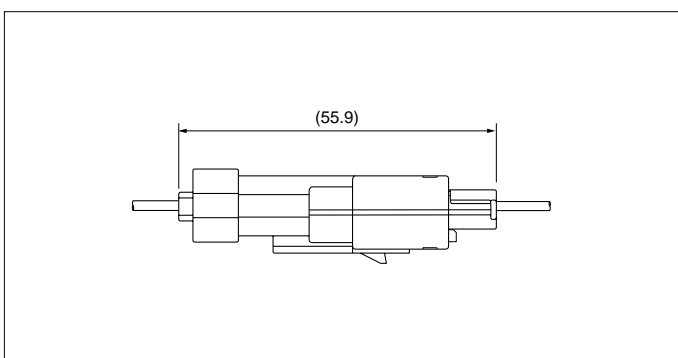
**• 5 circuits (Key A)**    **• 5 circuits (Key D)**

Circuits	Model No.	Key	Q'ty/box	Color of Housing and Back Cover
2	SRVWSB-02A-DK	D	900	Black
3	SRVWSB-03A-CN	C	900	Brown
4	SRVWSB-04A-BS	B	900	Natural
5	SRVWSB-05A-AH	A	900	Light gray
5	SRVWSB-05A-DK	D	900	Black

**Material and Finish**

Housing: Glass-filled PBT  
 TPA: Glass-filled PBT, Red  
 Ring seal: Silicone, Green  
 Back cover: Glass-filled PBT  
 CPA: Glass-filled PBT, Red  
 Mat seal: Silicone, Green  
 Retainer clip: Glass-filled PBT, Natural

## Assembly Layout



Note: Tolerances are non-cumulative: ±0.05 mm for all centers.

## X-ON Electronics

Largest Supplier of Electrical and Electronic Components

*Click to view similar products for [Automotive Connectors](#) category:*

*Click to view products by [JST manufacturer](#):*

Other Similar products are found below :

[003-018-000](#) [60993906-B](#) [M902-2131](#) [M902-2161](#) [M902-2344](#) [72.330.1035.1](#) [73.353.4028.0](#) [F166900](#) [F358300-B](#) [F407400](#) [776880-1](#)  
[827153-1](#) [8N1515-32-24P](#) [9-1326729-8](#) [925474-1](#) [928905-1](#) [964562-4](#) [968782-1](#) [98891-1012](#) [12004475-L](#) [12020308](#) [12041318-B](#)  
[12052466](#) [12064869](#) [12015909](#) [1-21030-1](#) [12041254](#) [12041318](#) [12047946-B](#) [12110546-B](#) [12131792](#) [12084688](#) [12092346](#) [HD34-18-14PT](#)  
[HD46-24-23SN-059](#) [HDB36-24-16PN-059](#) [HDP26-24-9SE-L015](#) [12185280](#) [12185550](#) [12336-12](#) [12191172-B](#) [12S](#) [13545280](#) [13577943](#)  
[13681974](#) [13737722-B](#) [13830674](#) [13832576](#) [13849772](#) [13542772](#)