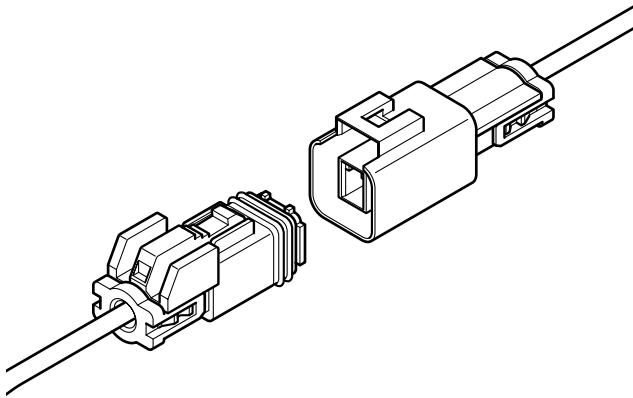


MWP CONNECTOR

7.0mm pitch/Disconnectable Crimp style Wire-to-wire connectors



Waterproof wire-to-wire connector for electric power supply.

- Low insertion force contact
- Housing lance
- Inner-housing lock
- Slider locking mechanism
- Interchangeability

Specifications

- Current rating: 7A AC, DC max.
- Voltage rating: 300V AC, DC max.
- Temperature range: -40°C to +105°C
(including temperature rise in applying electrical current)
- Contact resistance: Initial value/7m Ω max.
After environmental testing/10m Ω max.
- Insulation resistance: 1,000M Ω min.
- Withstanding voltage: 1,500V AC/minute
- Applicable wire: AWG #26 to #18
0.13 to 0.75mm²
Insulation O.D./2.1 to 2.5mm
- Waterproof grade: Grade 4 ingress protection of JIS C 0920(IEC 60529 IPX4)
- * Compliant with RoHS.
- * Refer to "General Instruction and Notice when using Terminals and Connectors" at the end of this catalog.
- * Contact JST for details.

Note: The current rating varies depending on the number of circuits and the wire size used in each connector.

The table below lists the current rating as a function of the number of circuits and wire size.

Current unit: A

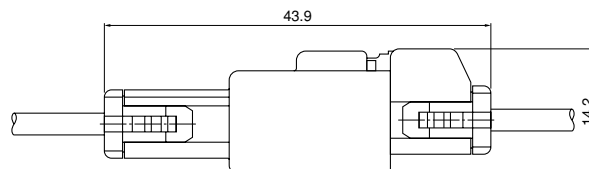
Circuits	Wire size (AWG)				
	#18	#20	#22	#24	#26
1	7	5	4	3	2
2	7	5	4	3	2

Standards

Ⓜ Recognized E60389

Ⓢ Certified LR20812

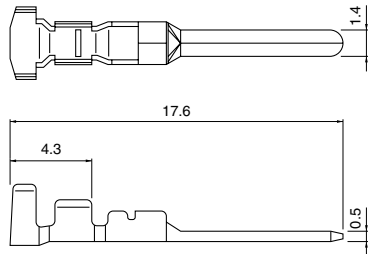
Assembly layout



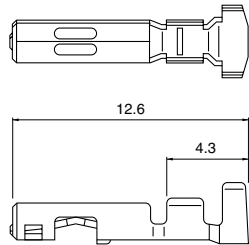
MWP CONNECTOR

Contact

Pin contact



Socket contact



Model No.		Applicable wire		Insulation O.D. (mm)	Q'ty / reel
Pin contact	Socket contact	mm ²	AWG #		
SSM-01T-P1.4	SSF-01T-P1.4	0.13~0.5	26~20	2.1~2.5	6,000
SSM-21T-P1.4	SSF-21T-P1.4	0.3 ~0.75	22~18		

Material and Finish

Phosphor bronze, tin-plated (reflow treatment)

RoHS compliance

Note: Contact JST for special products.

Contact	Crimping machine	Applicator		
		Crimp applicator	Dies	Crimp applicator with dies
SSM-01T-P1.4	AP-K2N	MKS-L	MK/SSF/M-01-14	APLMK SSF/M01-14
SSF-01T-P1.4		—	—	—
SSM-21T-P1.4		MKS-L	MK/SSF/M-21-14	APLMK SSF/M21-14
SSF-21T-P1.4		—	—	—

Housing

Material: PBT, UL94V-0, white

Circuits	Voltage rating	Current rating	Receptacle housing(for socket contact)		Plug housing(for pin contact)	
			Model	Q'ty / box	Model	Q'ty / box
1	300V	7A	01R-MWPV-SSRR 	252	01P-MWPV-SSR 	228
2	300V	7A	02R-MWPV-SSRR 	144	02P-MWPV-SSR 	144

RoHS compliance

Note: 1. Model ()P-MWPV-SSR comes with the wire end seal and slider.
 2. Model ()R-MWPV-SSRR comes with the rubber ring, wire end seal and slider.

X-ON Electronics

Largest Supplier of Electrical and Electronic Components

Click to view similar products for [jst manufacturer](#):

Other Similar products are found below :

[B02B-JWPF-SK-R](#) [B5PS-VH](#) [B6P-VH](#) [B8P-VH](#) [B04P-NV](#) [B2B-PH-K-S](#) [B2B-PH-SM4-TB](#) [B34B-PHDSS-B\(LF\)\(SN\)](#) [B6PS-VH](#) [B7PS-VH](#)
[IDH-KR-12](#) [10HR-4K](#) [WC-ZE2426](#) [WC-691](#) [FVDDF5.5-375A \(LF\)](#) [FVGS12-6 \(LF\)](#) [FVWS2-S3.3 \(LF\)](#) [FVWS5.5-5 \(LF\)](#) [B6PS-](#)
[VH\(LF\)\(SN\)](#) [FNGS12-6](#) [TWE0.5-8](#) [FVGS4-1 \(LF\)](#) [WC-GVH2630](#) [WC-PUD2](#) [S10B-PH-SM4-TB\(LF\)\(SN\)](#) [B4B-XH-TW \(LF\)\(SN\)](#) [B6B-](#)
[EH-A-TW \(LF\)\(SN\)](#) [B6P-VH-TW \(LF\)\(SN\)](#) [B8B-XH-TW \(LF\)\(SN\)](#) [BM08B-SRSS-TB](#) [SM10B-GHS-TB](#) [10FPZ-SM-TF\(LF\)\(SN\)](#) [YRS-852](#)
[B04B-VYHSK-M-1](#) [B2B-ZR-SM4-TFT\(LF\)\(SN\)](#) [WC-SH2832](#) [02T-JWPF-VSLE-S](#) [WC-930P](#) [WC-620P](#) [WC-160](#) [WC-122](#) [B08P-VL](#) [SHR-](#)
[08V-S-B](#) [YRS-241](#) [BM04B-SRSS-TBT\(LF\)\(SN\)](#) [XADRP-24V](#) [XAP-04V-1](#) [YRS-1090](#) [WC-0510DIN](#) [WC-930](#)