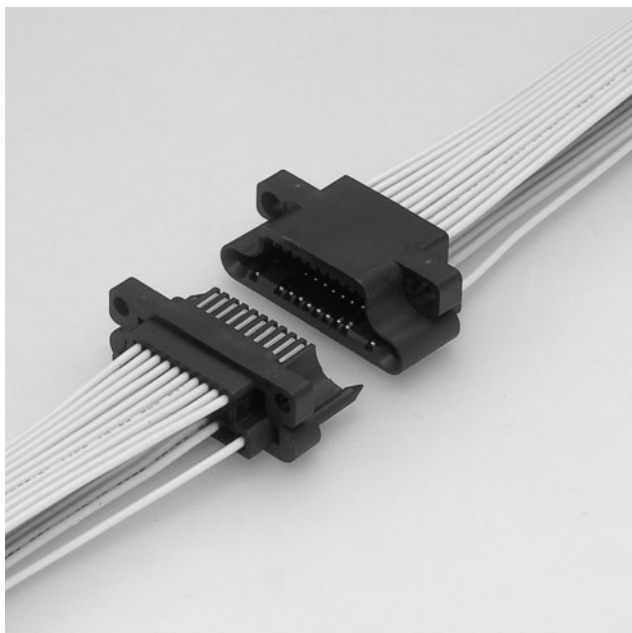
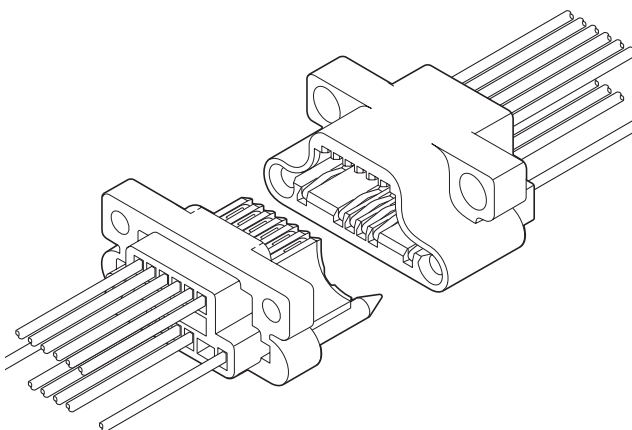


TSD CONNECTOR

Disconnectable Crimp style Wire-to-wire connectors



This hybrid type drawer connector shares a single design contact between signal and power lines.



Features

• **Single design contact**

The single contact can be used both for the power and for the signal connections.

• **Misalignment correction**

The floating function adopting stepped screws will absorb possible misalignment resulting from mounting.

• **Highly reliable contact performance**

The dimple featured contact ensures stable contact performance.

Specifications

- Current rating: 2A AC, DC (AWG #24)
 - Voltage rating: Signal circuit 30V AC, DC
Power supply circuit 300V AC, DC
 - Temperature range: -25°C to +85°C
(including temperature rise in applying electrical current)
 - Contact resistance: Initial value/30m Ω max.
After environmental testing/50m Ω max.
 - Insulation resistance: 1,000M Ω min.
 - Withstanding voltage: Power-Signal 1,500V AC/minute
Signal-Signal 500V AC/minute
 - Applicable wire: AWG #28 to #24
- * Compliant with RoHS.
* Refer to "General Instruction and Notice when using Terminals and Connectors" at the end of this catalog.
* Contact JST for details.

Standards

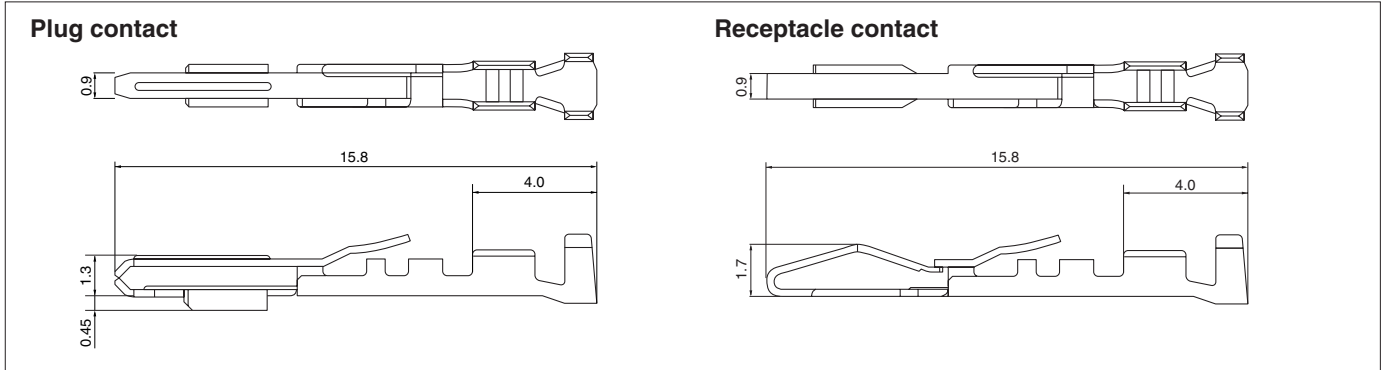
 Recognized E60389

 Certified LR20812

 R50170333

TSD CONNECTOR

Contact



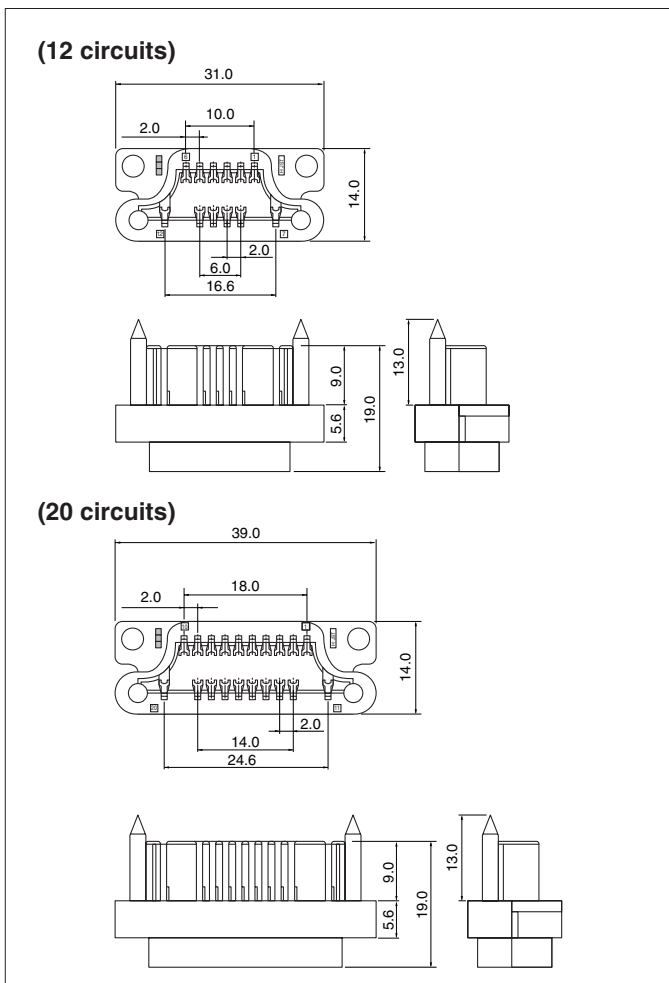
Model No.		Applicable wire		Insulation O.D. (mm)	Q'ty / reel
Plug contact	Receptacle contact	mm ²	AWG#		
STSD-002GG-P0.6	STS-002GG-P0.6	0.08 to 0.22	28 to 24	0.9 to 1.5	10,000

Material and Finish

Copper alloy, nickel-undercoated, Mating part; gold-plated
Crimping part; tin-plated (reflow treatment)

RoHS compliance This product displays (LF)(SN) on a label.

Plug housing



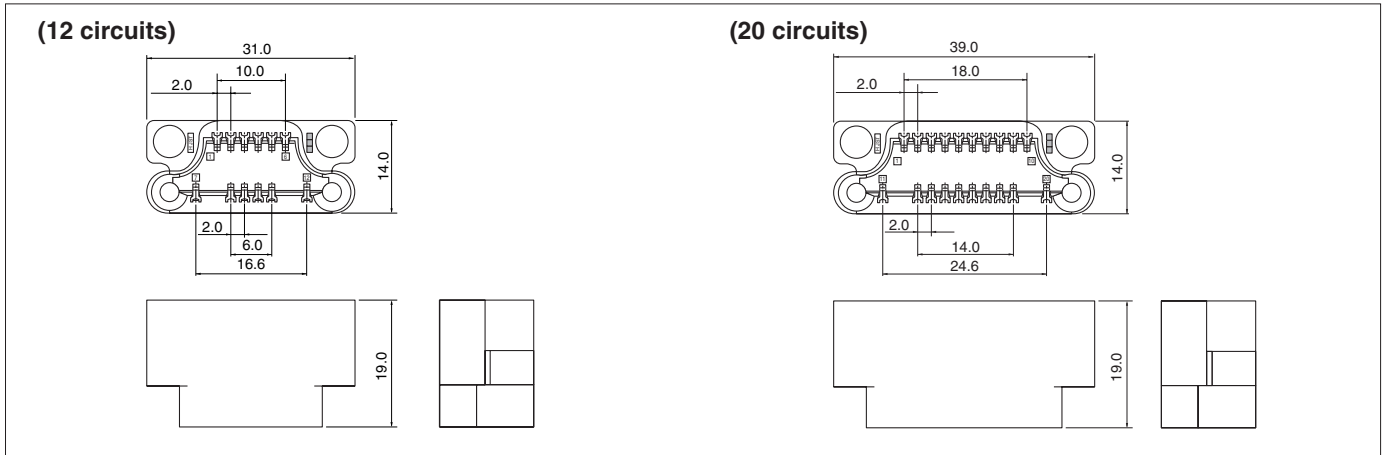
Circuits	Model No.	Q'ty / box
12	TSDP-12V-K	100
20	TSDP-20V-K	50

Material

Glass-filled PBT, UL94V-0

RoHS compliance

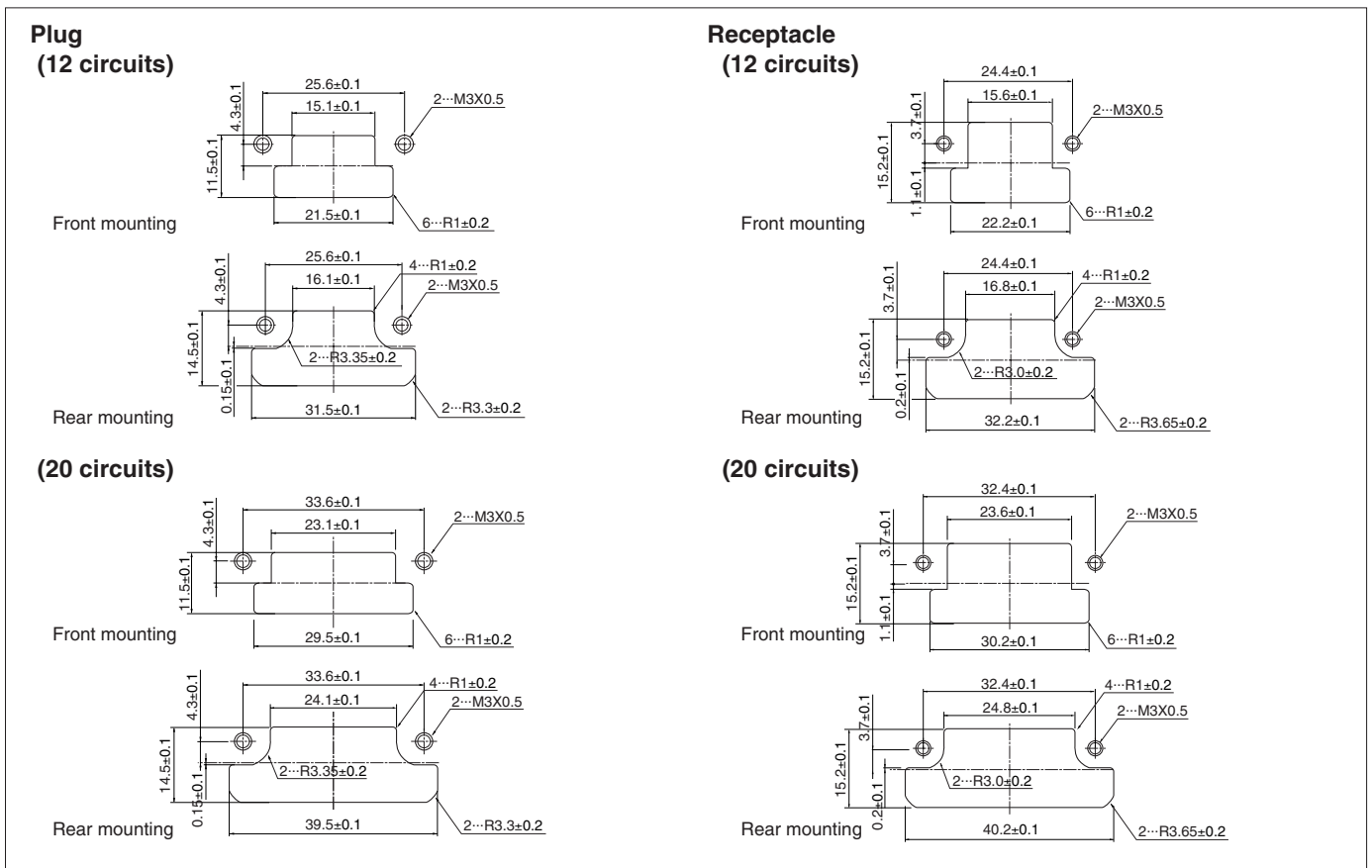
Receptacle housing



Circuits	Model No.	Q'ty / box
12	TSDR-12V-K	100
20	TSDR-20V-K	50
Material		
Glass-filled PBT, UL94V-0		

RoHS compliance

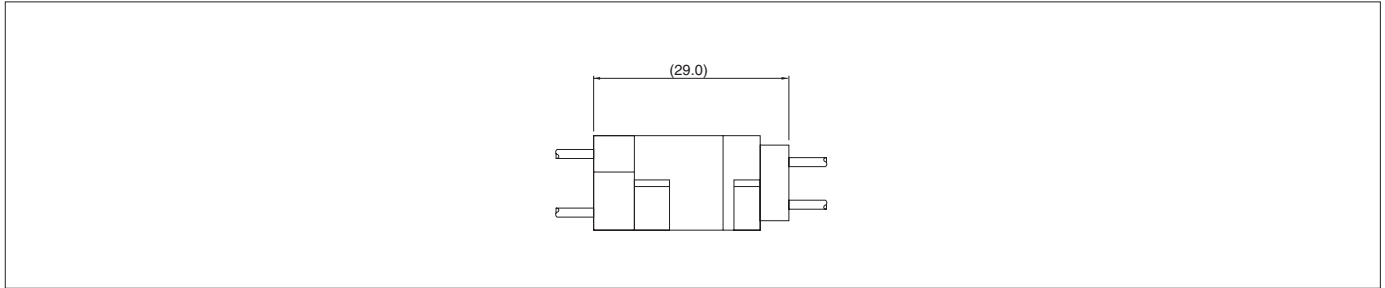
Panel layout



Note: 1. Punch holes in the panel according to the sketch and table shown above. Burrs must be removed.
 2. The strength of the panel must be considered when punching two or more holes.
 3. The connector must be inserted from the same side as the hole is punched.

TSD CONNECTOR

Assembly layout



Crimping machine, Applicator

Contact	Crimping machine	Crimp applicator	Dies	Crimp applicator with dies
STSD-002GG-P0.6 STS-002GG-P0.6	AP-K2N	MKS-L	MK/STS/D-002-06	APLMK STS/D002-06

X-ON Electronics

Largest Supplier of Electrical and Electronic Components

Click to view similar products for [Headers & Wire Housings](#) category:

Click to view products by [JST](#) manufacturer:

Other Similar products are found below :

[0015917161](#) [0022155065](#) [57102-F02-18ULF](#) [58102-G61-06LF](#) [582553-1](#) [01.001.5753.1](#) [0050291907](#) [02.125.8002.8](#) [609-3404](#) [61062-3](#)
[CSU011177004](#) [622-0430](#) [622-3653LF](#) [63453-116](#) [636-1030](#) [636-1427](#) [636-3427](#) [636-4007](#) [641938-9](#) [65495-038](#) [65692-001LF](#) [65781-018](#)
[65781-047](#) [65817-010LF](#) [65817-015LF](#) [67095-007LF](#) [67601157](#) [68631-112](#) [699319-000](#) [70.362.1628.0](#) [70-4210](#) [70-4226B](#) [70-4853B](#) [707-](#)
[5028](#) [71.350.2428.0](#) [733-134](#) [733-162](#) [760-3052](#) [MHR-64-VUAL](#) [80.063.4001.1](#) [800-90-001-10-001000](#) [801-43-002-10-013000](#)
[801-43-006-10-002000](#) [803-43-024-10-001000](#) [803-93-012-10-001000](#) [8-1437020-4](#) [819-22-004-30-001101](#) [820-22-006-30-001101](#)
[820-22-008-30-001101](#) [821-22-002-10-001101](#)