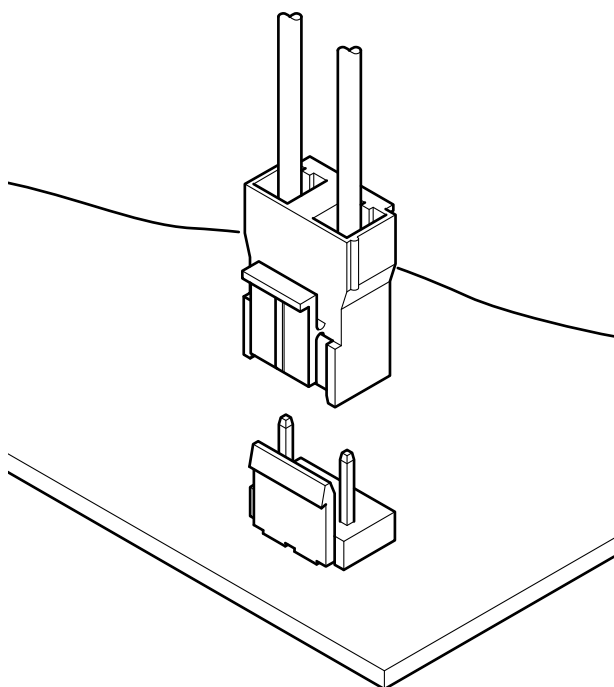


VAJ CONNECTOR

7.92 mm pitch/Disconnectable Crimp style connectors



7.92 mm pitch crimp style, large current carrying capacity connector, that is best suited for various kinds of power supply circuits. Box-shaped contacts offer reliable connection.

- Housing lances
- Box contact
- Secure contact and mounting
- Applicable up to 10 A

Specifications

- Current rating: 10 A AC, DC (AWG #16)
- Voltage rating: 250 V AC, DC
- Temperature range: -25°C to +85°C
(including temperature rise in applying electrical current)
- Contact resistance: Initial value/ 10 mΩ max.
After environmental tests/ 20 mΩ max.
- Insulation resistance: 1,000 MΩ min.
- Withstanding voltage: 1,500 VAC/minute
- Applicable wire: AWG #20 to #16
- Applicable PC board thickness: 1.6 mm

* Refer to "General Instruction and Notice when using Terminals and Connectors" at the end of this catalog.

* Contact JST for details.

* Compliant with RoHS.

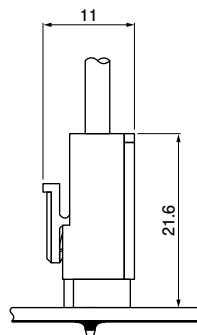
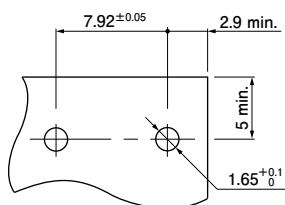
Standards

Ⓜ Recognized E 60389

Ⓢ Certified LR 20812

⚠ R9251675

PC board layout and Assembly layout



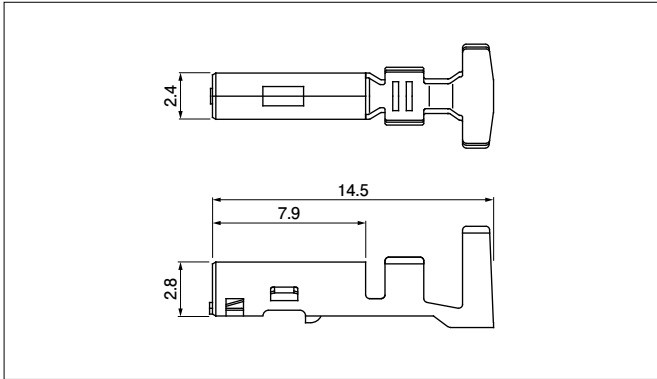
Note: 1. The above figure viewed from the connector mounting side.

2. Tolerances are non-cumulative: ± 0.05 mm for all centers.

3. Hole dimensions differ according to the type of PC board and piercing method. The dimensions above should serve as a guideline. Contact JST for details.

VAJ CONNECTOR

Contact



Model No.	AWG #	Insulation O.D. (mm)	Q'ty/reel
SVT-41T-P1.1	20 to 16	3.9 to 2.7	2,500

Material and Finish

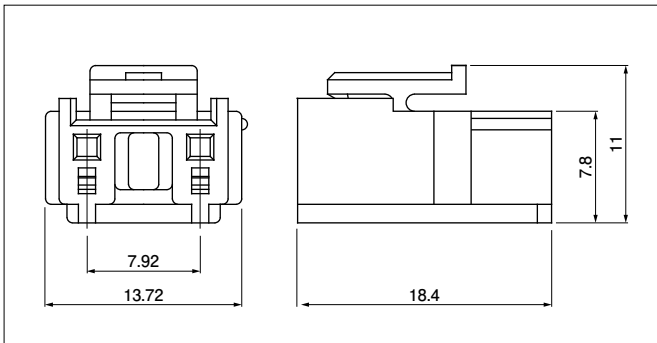
Alloy (phosphor bronze system), tin-plated (reflow treatment)

RoHS compliance

Contact	Crimping machine	Applicator		
		Crimp applicator	Dies	Crimp applicator with dies
SVT-41T-P1.1	AP-K2N	MKS-L	MK/SVT-41-11	APLMK SVT41-11

Note: Contact JST for fully automatic crimping applicator.

Housing



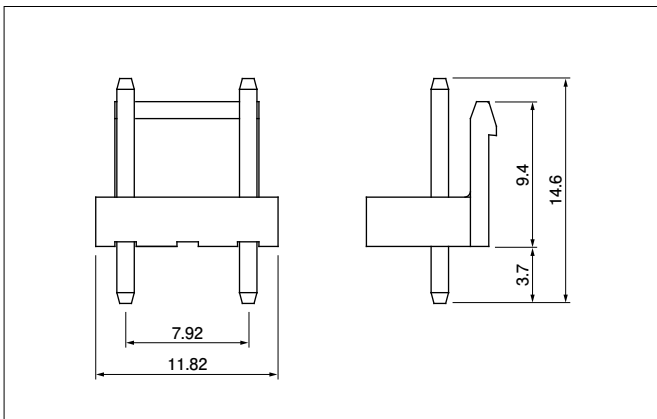
No. of circuits	Model No.	Q'ty/bag
2	VAJR-02VS	1,000

Material

PA 66, UL94V-0, natural (white)

RoHS compliance

Header



No. of circuits	Model No.	Q'ty/box
2	B2P3-VH	1,000

Material and Finish

Post: Brass, copper-undercoated, tin-plated (reflow treatment)
Wafer: PA 66, UL94V-0, natural (white)

RoHS compliance This product displays (LF)(SN) on a label.

Model number allocation

Contact

S VT - 41 T - P 1.1

Form: S··Strip form B··Loose piece				
Series name				
Applicable wire range: AWG #20 to #16				
Surface finish: T··Tin-plated (reflow treatment)				
Material: P··Phosphor bronze				
Terminal size				

Housing

VAJ R - 02 VS

Series name				
Part name: Receptacle				
No. of circuits: 2				
Flammability: V··UL94V-0				
Color: S··Natural (White)				

Header

B 2 P 3 - VH

Shape of assembled product: B··Header				
No. of circuits: 2				
Indicates omitting center pin of 3-circuit product.				
Series name				

X-ON Electronics

Largest Supplier of Electrical and Electronic Components

Click to view similar products for [Headers & Wire Housings](#) category:

Click to view products by [JST](#) manufacturer:

Other Similar products are found below :

[57102-F02-18ULF](#) [58102-G61-06LF](#) [582553-1](#) [009176003701906](#) [01.001.5753.1](#) [0050291907](#) [02.125.8002.8](#) [609-3404](#) [61062-3](#)
[CSU011177004](#) [622-0430](#) [622-3653LF](#) [63453-116](#) [636-1030](#) [636-1427](#) [636-3427](#) [636-4007](#) [641938-9](#) [65495-038](#) [65692-001LF](#) [65781-018](#)
[65781-047](#) [65817-010LF](#) [65817-015LF](#) [66207-023LF](#) [67095-007LF](#) [67601157](#) [68631-112](#) [699319-000](#) [M90C108951C](#) [70.362.1628.0](#) [70-](#)
[4210](#) [70-4226B](#) [70-4853B](#) [707-5028](#) [71.350.2428.0](#) [71961-016LF](#) [733-134](#) [733-162](#) [754199-000](#) [760-3052](#) [80.063.4001.1](#) [800-90-001-10-](#)
[001000](#) [801-43-002-10-013000](#) [801-43-006-10-002000](#) [803-41-018-10-001000](#) [803-43-024-10-001000](#) [803-93-012-10-001000](#) [8-1437020-4](#)
[819-22-004-30-001101](#)