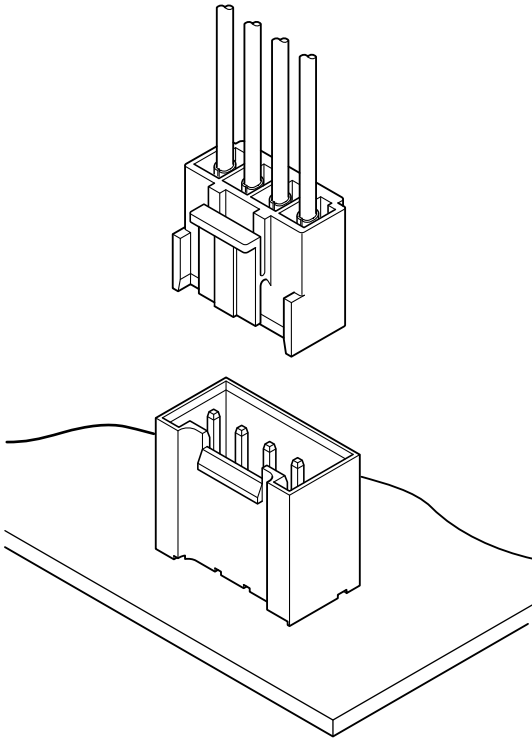


# VH CONNECTOR <High box type>

3.96 mm pitch/Disconnectable Crimp style connectors



This is VH connector high box type, with 21.3 mm mounting height (single circuit: 18.6 mm) and with 9.2 mm thickness (single circuit: 8 mm). This connector exhibits the stable electric connection to the condition such as the vibration, the prying, the micro-current and micro-voltage circuit.

- Header for use specifically with resin coated ("potted") PC board
- Interchangeability

## Specifications

- Current rating: 7 A AC/DC (AWG #18)  
10 A AC/DC (AWG #16) / 1 circuit only
- Voltage rating: 250 V AC/DC
- Temperature range: -25°C to +85°C  
(including temperature rise in applying electrical current)
- Contact resistance: Initial value/ 10 mΩ max.  
After environmental tests/ 20 mΩ max.
- Insulation resistance: 1,000 MΩ min.
- Withstanding voltage: 1,500 VAC/minute
- Applicable wire: AWG #22 to #16
- Applicable PC board thickness: 1.6 mm

Note:

Do not branch in parallel current which exceeds the rated current. If branched in parallel, current imbalance or other problems may develop. If it is absolutely necessary to branch such a large current in parallel, be sure to use contacts made of phosphor bronze. Design the circuits without causing imbalance and provide an extra margin for each circuit.

\* In using the products, refer to "Handling Precautions for Terminals and Connectors" described on our website (Technical documents of Product information page).

\* RoHS2 compliance

\* Dimensional unit: mm

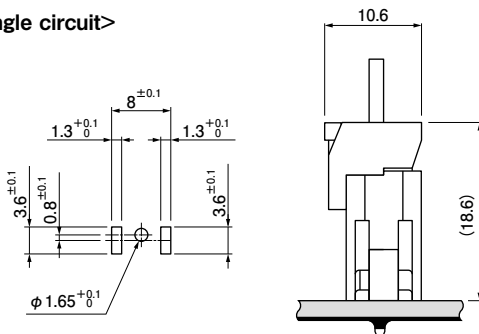
\* Contact JST for details.

## Standards

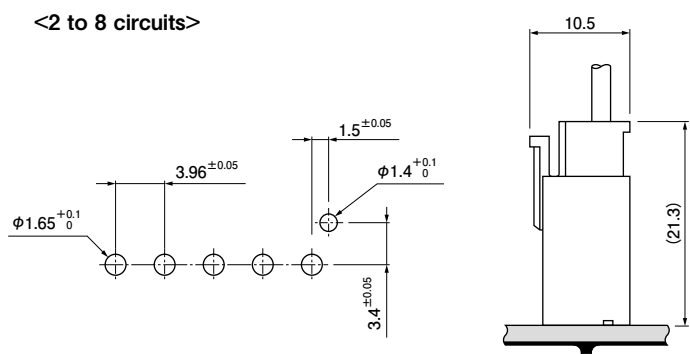
- Recognized E60389
- Certified LR20812
- R75122

## PC board layout and Assembly layout

<Single circuit>



<2 to 8 circuits>



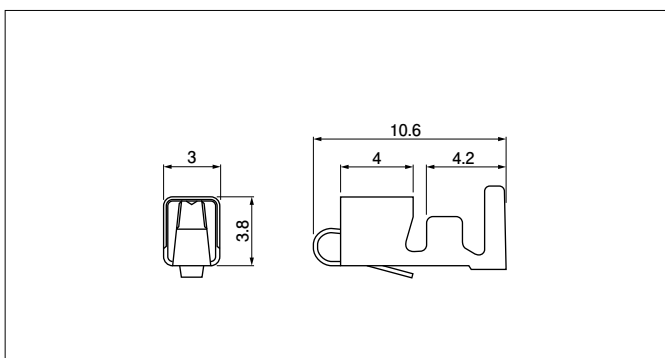
Note: 1. The above figure is the figure viewed from soldering side.

2. Tolerances are non-cumulative: ± 0.05 mm for all centers.

3. Hole dimensions differ according to the type of PC board and piercing method. The dimensions above should serve as a guide line. Contact JST for details.

# VH CONNECTOR (High box type)

## Contact



| Model No.     | Applicable wire |          | Insulation O.D. (mm) | Q'ty/reel |
|---------------|-----------------|----------|----------------------|-----------|
|               | mm <sup>2</sup> | AWG #    |                      |           |
| SVH-21T-P1.1  | 0.33 to 0.83    | 22 to 18 | 1.7 to 3.0           | 4,500     |
| *SVH-41T-P1.1 | 0.5 to 1.25     | 20 to 16 | 1.7 to 3.0           | 3,500     |

### Material and Finish

Phosphor bronze, tin-plated (reflow treatment)

### RoHS2 compliance

Note: 1. \*The current rating when combining with single circuit is 10 A AC/DC (AWG #16.)

2. When using retainer mountable type housing, applicable wire's insulation O. D. shall be 1.7 to 2.2 mm.

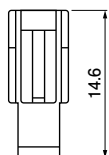
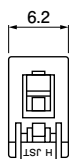
| Contact      | Crimping machine | Applicator       |              |                            |
|--------------|------------------|------------------|--------------|----------------------------|
|              |                  | Crimp applicator | Dies         | Crimp applicator with dies |
| SVH-21T-P1.1 | AP-K2N           | MKS-L            | MK/SVH-21-11 | APLMK SVH21-11             |
| SVH-41T-P1.1 |                  |                  | MK/SVH-41-11 | APLMK SVH41-11             |

Note: Contact JST for fully automatic crimping applicator.

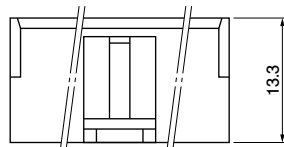
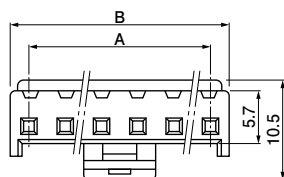
## Housing

### N Type

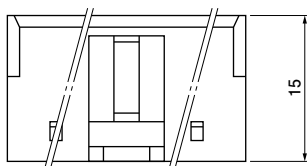
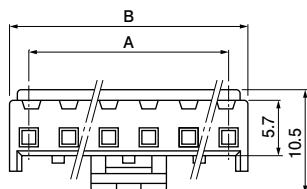
<Single circuit>



<2 to 8 circuits>



### Retainer mountable type



| No. of circuits | Model No. |                         | Dimensions (mm) |       | Q'ty/bag |
|-----------------|-----------|-------------------------|-----------------|-------|----------|
|                 | N type    | Retainer mountable type | A               | B     |          |
| 1               | VHR-1N    | —                       | —               | —     | 1,000    |
| 2               | VHR-2N    | —                       | 3.96            | 7.86  | 1,000    |
| 3               | VHR-3N    | VHRR-3N                 | 7.92            | 11.82 | *        |
| 4               | VHR-4N    | —                       | 11.88           | 15.78 | 1,000    |
| 5               | VHR-5N    | VHRR-5N                 | 15.84           | 19.74 | *        |
| 6               | VHR-6N    | —                       | 19.80           | 23.70 | 500      |
| 7               | VHR-7N    | VHRR-7N                 | 23.76           | 27.66 | 500      |
| 8               | VHR-8N    | VHRR-8N                 | 27.72           | 31.62 | 500      |

### Material and Finish

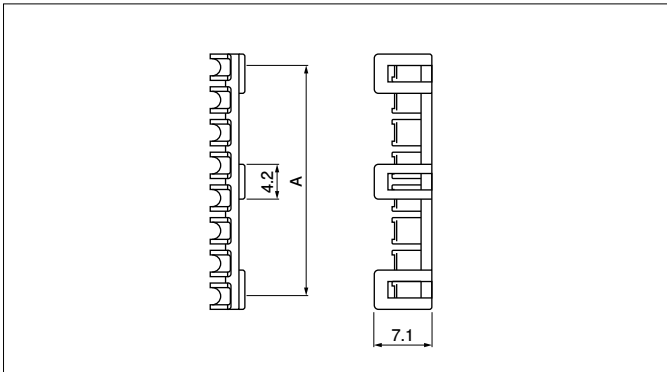
PA 6, UL94V-0, natural (white)

### RoHS2 compliance

\* N type ; 1,000 Retainer mountable type ; 500

# VH CONNECTOR (High box type)

## Retainer



| No. of circuits | Model No. | A     | Q'ty/bag |
|-----------------|-----------|-------|----------|
| 3               | VHS-3V    | 7.52  | 1,000    |
| 5               | VHS-5V    | 15.44 | 1,000    |
| 7               | VHS-7V    | 23.36 | 1,000    |
| 8               | VHS-8V    | 27.32 | 1,000    |

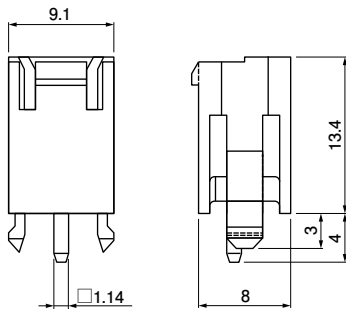
### Material and Finish

Glass-filled PA 66, UL94V-0, natural (ivory)

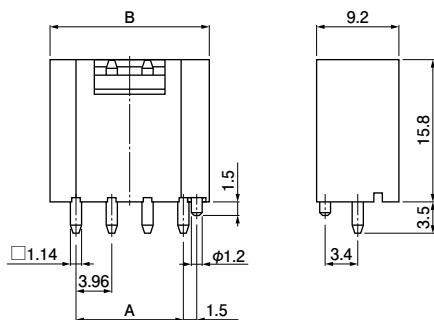
RoHS2 compliance

## Header

### With a boss <Single circuit>



### <2 to 8 circuits>



| No. of circuits | Model No.   | Q'ty/box |
|-----------------|-------------|----------|
|                 | With a boss |          |
| 1               | BH1P-VH-1   | 500      |

### Material and Finish

Post: Brass, copper-undercoated, tin-plated (reflow treatment)  
Wafer: PA 66, UL-94V-0, natural (white)

RoHS2 compliance This product displays (LF)(SN) on a label.

| No. of circuits | Model No.   | Dimensions (mm) |       | Q'ty/box |
|-----------------|-------------|-----------------|-------|----------|
|                 | With a boss | A               | B     |          |
| 2               | BH2P-VH-1   | 3.96            | 9.80  | 250      |
| 3               | BH3P-VH-1   | 7.92            | 13.76 | 200      |
| 4               | BH4P-VH-1   | 11.88           | 17.72 | 150      |
| 5               | BH5P-VH-1   | 15.84           | 21.68 | 100      |
| 6               | BH6P-VH-1   | 19.80           | 25.64 | 100      |
| 7               | BH7P-VH-1   | 23.76           | 29.60 | 100      |
| 8               | BH8P-VH-1   | 27.72           | 33.56 | 100      |

### Material and Finish

Post: Brass, copper-undercoated, tin-plated (reflow treatment)  
Wafer: Glass-filled PA 66, UL-94V-0, natural (ivory)

RoHS2 compliance This product displays (LF)(SN) on a label.

# VH CONNECTOR (High box type)

## Model number allocation

### Contact

**S VH - 21 T - P 1.1**

Form: S...Strip form, B...Loose piece

Series name

Applicable wire range: 21...AWG #22 to #18  
41...AWG #20 to #16

Surface finish: T...Tin-plated (reflow treatment)

Material: P...Phosphor bronze

Terminal size

### Housing

**VHR - 1 N -**

Series name

Part name: Receptacle

No. of circuits: 1

Shape: N...Opening part for catching contact lance is available.

Color: None...Natural (White), BK...Black, R...Red, BL...Blue, M...Green,  
D...Orange, Y...Yellow, PK...Pink, H...Gray

### Housing

**VHR - 2 N -**

Series name

Part name: Receptacle

No. of circuits: 2 to 8

Shape: N...Opening part for catching contact lance is available.

Color: None...Natural (White), BK...Black, R...Red, BL...Blue, M...Green,  
D...Orange, Y...Yellow, PK...Pink, H...Gray

### Retainer mountable type housing

**VHRR - 3 N -**

Series name

Part name: Receptacle (Retainer mountable type)

No. of circuits: 3, 5, 7, 8

Shape: N...Opening part for catching contact lance is available.

Color: None...Natural (White)

### Retainer

**VHS - 3 V**

Series name

Part name: Retainer

No. of circuits: 3, 5, 7, 8

Flammability: V...UL94V-0

### Header

**BH 1P - VH - 1 -**

Part name: Header

No. of circuits: 1

Series name

Sub model number

Color: None...Natural (White), BK...Black, R...Red, BL...Blue, M...Green,  
O...Orange, Y...Yellow, PK...Pink

### Header

**BH 2P - VH - 1 -**

Part name: Header

No. of circuits: 2 to 8

Series name

Sub model number

Color: None...Natural (Ivory), BK...Black, R...Red, BL...Blue,  
M...Green, Y...Yellow

Note: Depending on the colors, it may take some time for delivery.

## X-ON Electronics

Largest Supplier of Electrical and Electronic Components

*Click to view similar products for [Headers & Wire Housings](#) category:*

*Click to view products by [JST](#) manufacturer:*

Other Similar products are found below :

[0015917161](#) [0022155065](#) [57102-F02-18ULF](#) [58102-G61-06LF](#) [582553-1](#) [01.001.5753.1](#) [0050291907](#) [02.125.8002.8](#) [609-3404](#) [61062-3](#)  
[CSU011177004](#) [622-0430](#) [622-3653LF](#) [63453-116](#) [636-1030](#) [636-1427](#) [636-3427](#) [636-4007](#) [641938-9](#) [65495-038](#) [65692-001LF](#) [65781-018](#)  
[65781-047](#) [65817-010LF](#) [65817-015LF](#) [67095-007LF](#) [67601157](#) [68631-112](#) [68645-018](#) [699319-000](#) [70.362.1628.0](#) [70-4210](#) [70-4226B](#) [70-](#)  
[4853B](#) [71.350.2428.0](#) [733-134](#) [733-162](#) [MHR-64-VUAL](#) [80.063.4001.1](#) [800-90-001-10-001000](#) [801-43-002-10-013000](#) [801-43-006-10-](#)  
[002000](#) [803-43-024-10-001000](#) [803-93-012-10-001000](#) [8-1437020-4](#) [819-22-004-30-001101](#) [820-22-006-30-001101](#) [820-22-008-30-001101](#)  
[821-22-002-10-001101](#) [821-22-003-10-002101](#)