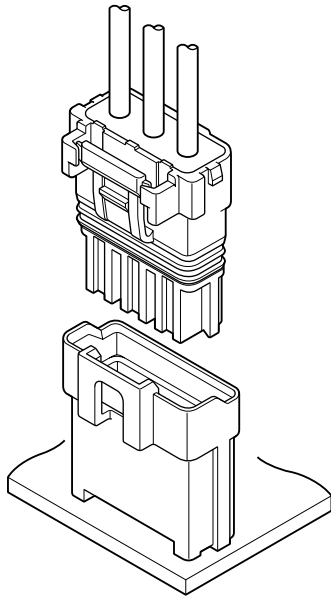




WPJ CONNECTOR

5.0mm pitch/Disconnectable Crimp style connectors



Compact, Water Resist and Durable. This connector for electrical connection can be used on both waterproof and non-waterproof conditions, depending on the usage. Just by placing a rubber part will change it into a water resistant connector. Both conditions are using the same header.

- Waterproof performance [Grade 7 ingress protection of JIS C 0920 (IPX7 of IEC 60529)]
- Control key system
- Contacting part of contact is hardly deformed
- Inner locking system
- Compact design

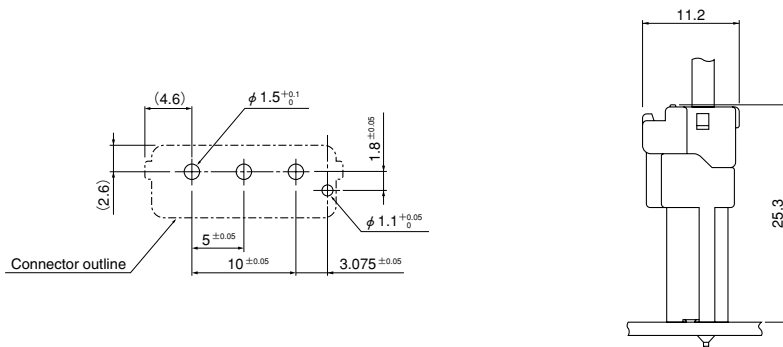
Specifications

- Current rating: 7 A AC, DC (AWG #18)
 - Voltage rating: 300 V AC, DC
 - Temperature range: -25°C to +85°C
(including temperature rise in applying electrical current)
 - Contact resistance: Initial value/ 10 mΩ max.
After environmental tests/ 20 mΩ max.
 - Insulation resistance: 1,000 MΩ min.
 - Withstanding voltage: 1,500 VAC/minute
 - Applicable wire: Conductor size/ AWG #22 to #18
Insulation O.D./ 2.32 to 2.83 mm
1.52 to 2.03 mm
 - Waterproof grade: Grade 7 ingress protection of JIS C 0920 (IPX7 of IEC 60529)
- * Refer to "General Instruction and Notice when using Terminals and Connectors" at the end of this catalog.
* Contact JST for details.
* Compliant with RoHS.

Standards

- Ⓜ Recognized E60389
- Ⓢ Certified LR20812
- Ⓡ R50073100

PC board layout and Assembly layout

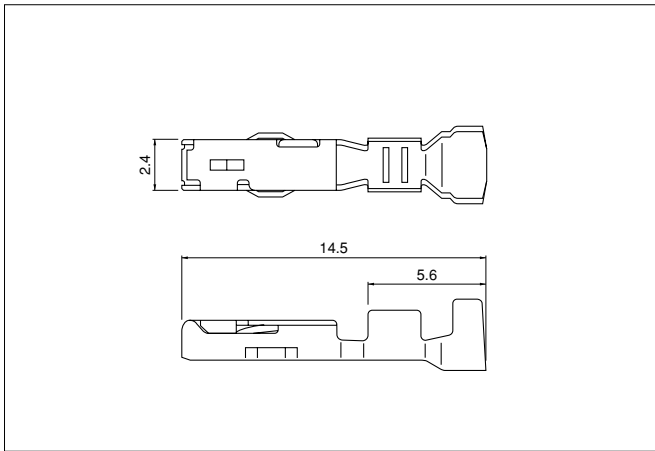


Note: 1. The above figure is the figure viewed from the connector mounting side.
2. Tolerances are non-cumulative: ±0.05 mm for all centers.
3. The dimensions above should serve as a guideline. Contact JST for details.

WPJ CONNECTOR

(Non-waterproof type)

Contact



Model No.	Applicable wire		Insulation O.D. (mm)	Q'ty/reel
	mm ²	AWG#		
SWPJR-21T-M0.5	0.33~0.83	22~18	2.32~2.83	4,500
SWPJR-21T-M0.5A	0.33~0.83	22~18	1.52~2.03	4,500

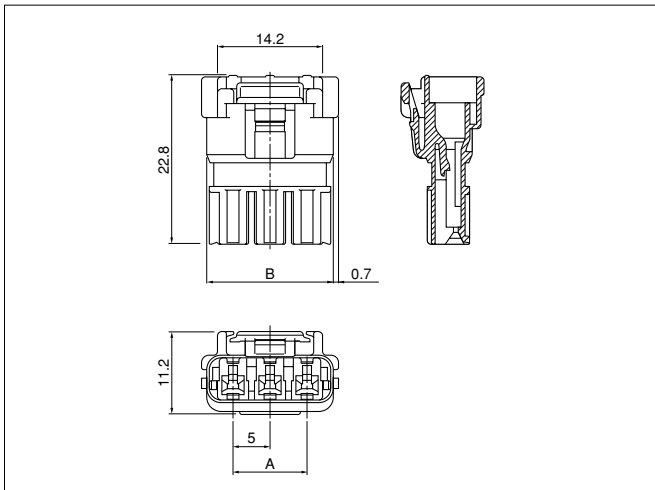
Material and Finish

Copper alloy, tin-plated (reflow treatment)

RoHS compliance

Contact	Crimping machine	Applicator		
		Crimp applicator	Dies	Crimp applicator with dies
SWPJR-21T-M0.5	AP-K2N	MKS-L	MK/SWPJR/T-21-05	APLMK SWPJR/T21-05
		—	—	—
SWPJR-21T-M0.5A	—	MKS-L	MK/SWPJR/T-21-05A	APLMK SWPJR/T21-05A
		—	—	—

Housing



Receptacle housing

Circuits	Model No.	A	B	Q'ty/bag
2	WPJR-02V-1-S	—	12.1	1,000
3	WPJR-03V-1-S	10.0	17.1	1,000

Material

Glass-filled PBT, UL94V-0, natural (white)

RoHS compliance

<For reference> Polarizing key pattern

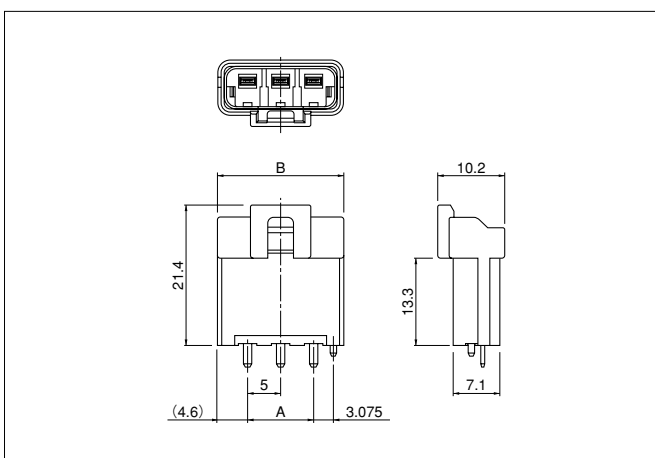
Key pattern 1 (Color: Natural): **WPJR-02V-1-S**

Key pattern 2 (Color: Red): **WPJR-02V-2-R**

Key pattern 3 (Color: Blue): **WPJR-02V-3-E**

For availability, delivery and minimum order quantity, contact JST.

Header



Circuits	Model No.	A	B	Q'ty/box
2	B02B-WPJSS-1	—	14.2	600
3	B03B-WPJSS-1	10.0	19.2	390

Material and Finish

Wafer: Glass-filled PBT, UL94V-0

Post: Copper alloy, copper-undercoated, tin-plated (reflow treatment)

RoHS compliance This product displays (LF)(SN) on a label.

<For reference> Polarizing key pattern

Key pattern 1 (Color: Natural): **B02B-WPJSS-1**

Key pattern 2 (Color: Red): **B02B-WPJRS-2**

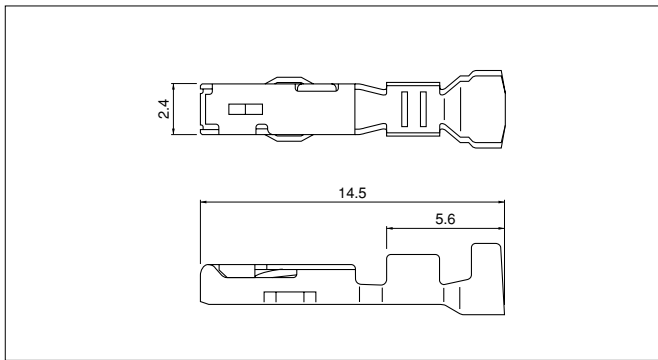
Key pattern 3 (Color: Blue): **B02B-WPJES-3**

For availability, delivery and minimum order quantity, contact JST.

WPJ CONNECTOR

(Waterproof type)

Contact



Model No.	Applicable wire		Insulation O.D. (mm)	Q'ty/reel
	mm ²	AWG#		
SWPJR-21T-M0.5	0.33~0.83	22~18	2.32~2.83	4,500

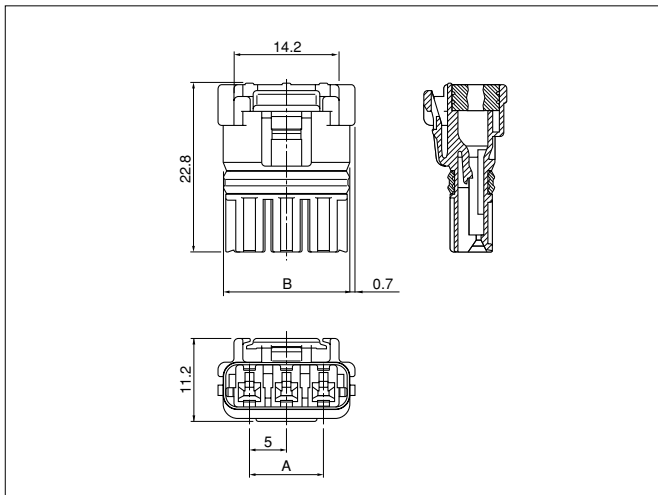
Material and Finish

Copper alloy, tin-plated (reflow treatment)

RoHS compliance

Contact	Crimping machine	Applicator		
		Crimp applicator	Dies	Crimp applicator with dies
SWPJR-21T-M0.5	AP-K2N	MKS-L	MK/SWPJR/T-21-05	APLMK SWPJR/T21-05
		—	—	—

Housing



Receptacle housing assembly

Circuits	Model No.	A	B	Q'ty/box
2	02R-WPJV-1-SMM	—	12.1	720
3	03R-WPJV-1-SMM	10.0	17.1	576

Material

Receptacle housing: Glass-filled PBT, UL94V-0, natural (white)
Seal ring: Silicon, green
Seal rubber plate: Silicon, green

RoHS compliance

<For reference> Polarizing key pattern

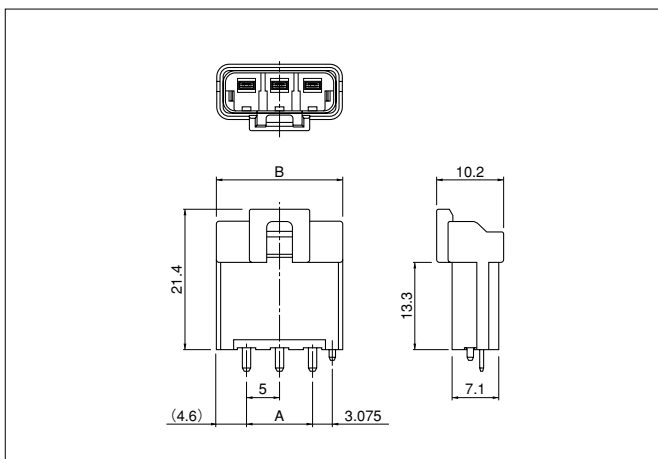
Key pattern 1 (Color: Natural): 02R-WPJV-1-SMM

Key pattern 2 (Color: Red): 02R-WPJV-2-RMM

Key pattern 3 (Color: Blue): 02R-WPJV-3-EMM

For availability, delivery and minimum order quantity, contact JST.

Header



Circuits	Model No.	A	B	Q'ty/box
2	B02B-WPJSS-1	—	14.2	600
3	B03B-WPJSS-1	10.0	19.2	390

Material and Finish

Wafer: Glass-filled PBT, UL94V-0
Post: Copper alloy, copper-undercoated, tin-plated (reflow treatment)

RoHS compliance

This product displays (LF)(SN) on a label.

<For reference> Polarizing key pattern

Key pattern No.1(Color: Natural): B02B-WPJSS-1

Key pattern No.2(Color: Red): B02B-WPJRS-2

Key pattern No.3(Color: Blue): B02B-WPJES-3

For availability, delivery and minimum order quantity, contact JST.

X-ON Electronics

Largest Supplier of Electrical and Electronic Components

Click to view similar products for [Headers & Wire Housings](#) category:

Click to view products by [JST](#) manufacturer:

Other Similar products are found below :

[0015917161](#) [0022155065](#) [57102-F02-18ULF](#) [58102-G61-06LF](#) [582553-1](#) [01.001.5753.1](#) [0050291907](#) [02.125.8002.8](#) [609-3404](#) [61062-3](#)
[CSU011177004](#) [622-0430](#) [622-3653LF](#) [63453-116](#) [636-1030](#) [636-1427](#) [636-3427](#) [636-4007](#) [641938-9](#) [65495-038](#) [65692-001LF](#) [65781-018](#)
[65781-047](#) [65817-010LF](#) [65817-015LF](#) [67095-007LF](#) [67601157](#) [68631-112](#) [68645-018](#) [699319-000](#) [70.362.1628.0](#) [70-4210](#) [70-4226B](#) [70-](#)
[4853B](#) [71.350.2428.0](#) [733-134](#) [733-162](#) [MHR-64-VUAL](#) [80.063.4001.1](#) [800-90-001-10-001000](#) [801-43-002-10-013000](#) [801-43-006-10-](#)
[002000](#) [803-43-024-10-001000](#) [803-93-012-10-001000](#) [8-1437020-4](#) [819-22-004-30-001101](#) [820-22-006-30-001101](#) [820-22-008-30-001101](#)
[821-22-002-10-001101](#) [821-22-003-10-002101](#)