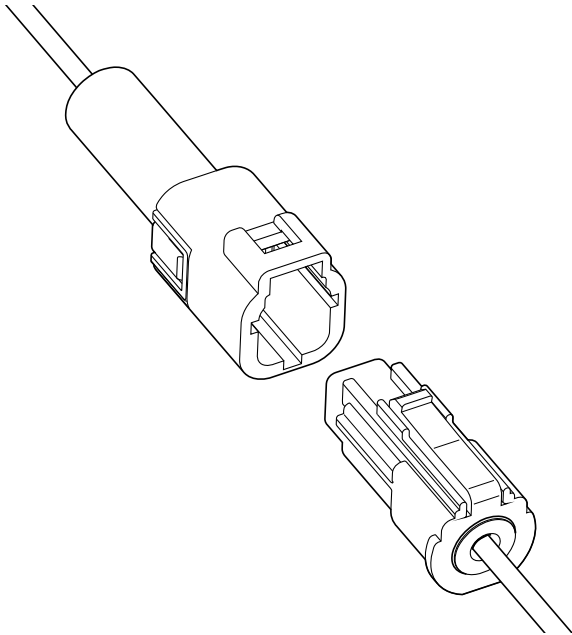




WPK CONNECTOR

Disconnectable Crimp style Wire-to-wire connectors (waterproof type)



This is wire-to-wire connector suitable for use in places where waterproof is especially required.

It is used for power connecting but compact, and has waterproof of grade 7 ingress protection of JIS C 0920 (IPX7 of IEC 60529) and excels in durability.

- Waterproof (ingress protection)
- Male housing has a built-in seal ring
- Compact design
- Inner-housing lock
- High durability and High reliability

Specifications

- Current rating: 7 A AC/DC (0.85 mm²)
- Voltage rating: 12 V AC/DC
- Temperature range: -40°C to +105°C
(including temperature rise in applying electrical current)
- Contact resistance: Initial value/ 5 mΩ max.
After environmental tests/ 10 mΩ max.
- Insulation resistance: 100 MΩ min.
- Withstanding voltage: 1,000 VAC/minute
- Applicable wire: 0.5 to 0.85 mm²
Insulation O.D./ 1.6 to 1.9 mm
- Waterproof grade: Grade 7 ingress protection of JIS C 0920 (IPX7 of IEC 60529)

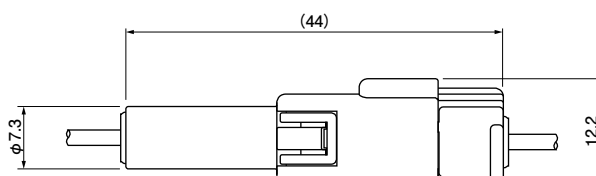
* In using the products, refer to "Handling Precautions for Terminals and Connectors" described on our website (Technical documents of Product information page).

* RoHS2 compliance

* Dimensional unit: mm

* Contact JST for details.

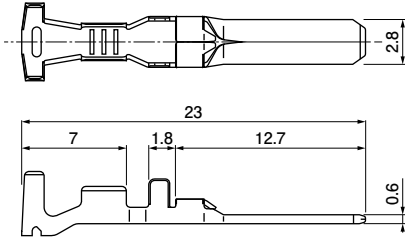
Assembly layout



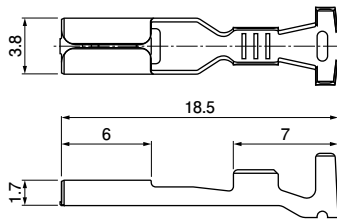
WPK CONNECTOR

Contact

Male contact



Female contact



Model No.		Applicable wire (mm ²)	Insulation O.D. (mm)	Q'ty/ reel
Male contact	Female contact			
SWPKP-21T-0.6	SWPKR-21T-0.6	0.5~0.85	1.6~1.9	3,000

Material and Finish

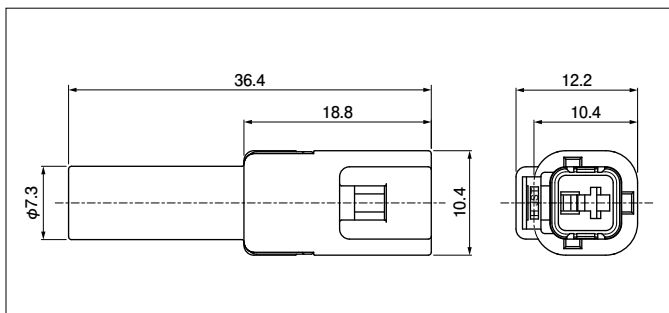
Copper alloy, tin-plated (reflow treatment)

RoHS2 compliance

Contact	Crimping machine	Applicator		
		Crimp applicator	Dies	Crimp applicator with dies
SWPKP-21T-0.6	AP-K2N	MKS-L	MK/SWPKP/R-21-06	APLMK SWPKP/R21-06
SWPKR-21T-0.6				

Note: Contact JST for fully automatic crimping applicator.

Male housing (for male contact)



No. of circuits	Model No.	Q'ty/box
1	01P-WPKH-KN	100

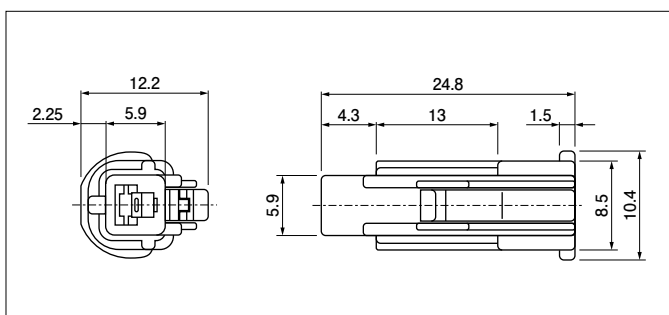
Material and Finish

Housing: PBT, black
Seal ring: NBR, brown

RoHS2 compliance

Note: 01P-WPKH-KN has a built-in seal ring.

Female housing (for female contact)



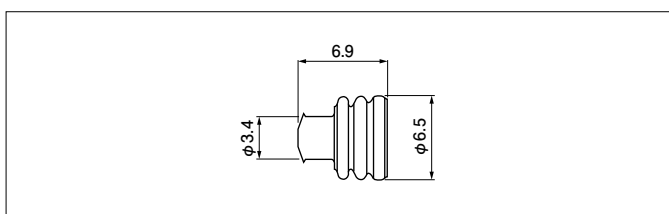
No. of circuits	Model No.	Q'ty/bag
1	WPKR-01H-K	1,000

Material and Finish

PBT, black

RoHS2 compliance

Wire end seal



Model No.	Rubber inner diameter (mm)	Insulation O.D. (mm)	Q'ty/bag
WPKS-1.3N	1.3	1.6~1.9	1,500

Material and Finish

NBR, brown

RoHS2 compliance

Note: Contact JST for applicable wires.

X-ON Electronics

Largest Supplier of Electrical and Electronic Components

Click to view similar products for [RF Connector Accessories](#) category:

Click to view products by [JST manufacturer](#):

Other Similar products are found below :

[89674-0712](#) [FERRULE-174](#) [R141802000](#) [R141842000](#) [R141862000W](#) [R280907000](#) [RFI75-3](#) [AX102907](#) [HP-500](#) [2098-3251-94](#) [KA-81-02](#)
[KA-81-05](#) [KN-89-12](#) [89674-0805](#) [FERRULE-223](#) [202102-11](#) [R280468000](#) [R280510000](#) [RFI155-1](#) [RFI25-12-D3](#) [RFI25-4-D2](#) [RFI75-12-D2](#)
[RFI97-14](#) [360HS001M2508M6](#) [4-1532137-4](#) [HRM-514S\(40\)](#) [5-21085-0](#) [111062-0490](#) [112122-SOD-LUG](#) [IPP-2014](#) [RFI95-14-D2](#) [MX-](#)
[913/U\(45\)](#) [1736-1511-075](#) [RFI75-2-D3](#) [RFI25-3-D3](#) [R280469010](#) [RFI85-4](#) [896110450](#) [660-024M09S5-01](#) [1403137-1](#) [360HB001M2512H](#)
[360HS001M1716M3](#) [380HS115M2508H3](#) [380HS001M1716M4](#) [FERRULE-316DB](#) [105274-2000](#) [73415-1970](#) [R280755050W](#) [52014041A](#)
[R447120000](#)