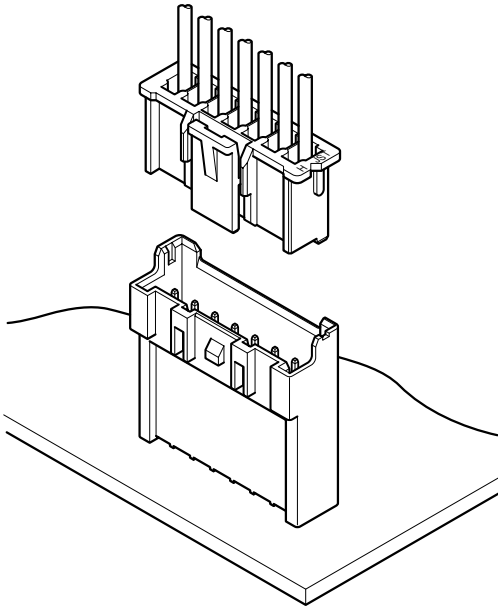


# XA CONNECTOR (High box type)



2.5mm pitch/Disconnectable Crimp style connectors



**XA connector high box type, with 19.5mm mounting height and with 6.9mm thickness.**

- Header for 2.5mm pitch XA connector for use specifically with resin coated ("potted") PC boards
- Interchangeability

## Specifications

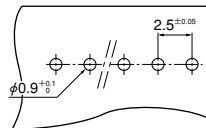
- Current rating: 3A AC, DC (AWG #22)
- Voltage rating: 250V AC, DC
- Temperature range: -25°C to +85°C  
(including temperature rise in applying electrical current)
- Contact resistance: Initial value/10m Ω max.  
After environmental testing/20m Ω max.
- Insulation resistance: 1,000M Ω min.
- Withstanding voltage: 1,000V AC/minute
- Applicable wire: AWG #28 to #22
- Applicable PC board thickness: 1.6mm
- \* Compliant with RoHS.
- \* Refer to "General Instruction and Notice when using Terminals and Connectors" at the end of this catalog.
- \* Contact JST for details.

## Standards

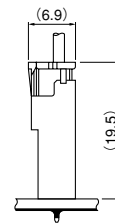
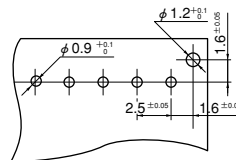
- Recognized E60389
- Certified LR20812
- R9851220

### PC board layout (viewed from component side) and Assembly layout

Without a boss



With a boss

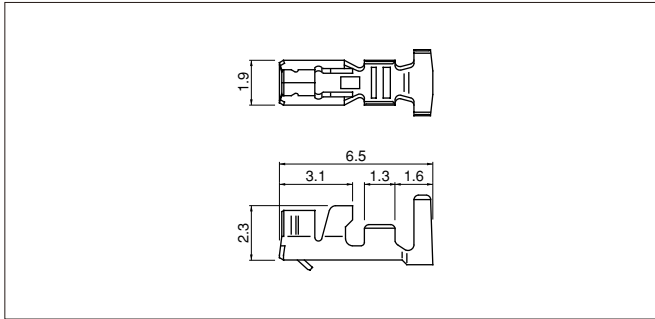


Note:1. Tolerances are non-cumulative: ±0.05mm for all centers.

2. Hole dimensions differ according to the kind of PC board and piercing method. The dimensions above should serve as a guideline. Contact JST for details.

# XA CONNECTOR (High box type)

## Contact



| Model No.            | Applicable wire |       |                      | Qty / reel |
|----------------------|-----------------|-------|----------------------|------------|
|                      | mm <sup>2</sup> | AWG#  | Insulation O.D. (mm) |            |
| <b>SXA-001T-P0.6</b> | 0.08~0.33       | 28~22 | 0.8~1.9              | 8,000      |

### Material and Finish

Phosphor bronze, tin-plated (reflow treatment)

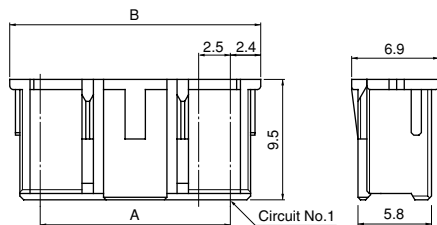
### RoHS compliance

| Contact              | Crimping machine | Applicator       |                 |                            |
|----------------------|------------------|------------------|-----------------|----------------------------|
|                      |                  | Crimp applicator | Dies            | Crimp applicator with dies |
| <b>SXA-001T-P0.6</b> | AP-K2N           | MKS-L            | MK/SXA/M-001-06 | APLMK SXA/M001-06          |
|                      |                  | *MKS-SC          | SC/SXA/M-001-06 | APLSC SXA/M001-06          |

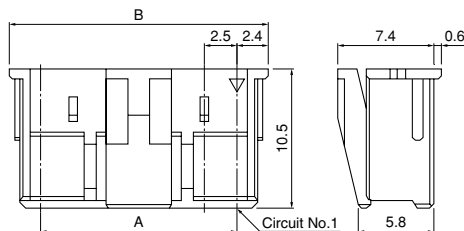
Note: \*Strip-crimp applicator

## Housing

### Standard type



### Retainer mountable type



| Circuits | Model No.        |                         | Dimensions (mm) |      | Q'ty / bag    |                         |
|----------|------------------|-------------------------|-----------------|------|---------------|-------------------------|
|          | Standard type    | Retainer mountable type | A               | B    | Standard type | Retainer mountable type |
| 2        | <b>XAP-02V-1</b> | <b>XARP-02V</b>         | 2.5             | 7.3  | 1,000         | 1,000                   |
| 3        | <b>XAP-03V-1</b> | <b>XARP-03V</b>         | 5.0             | 9.8  | 1,000         | 1,000                   |
| 4        | <b>XAP-04V-1</b> | <b>XARP-04V</b>         | 7.5             | 12.3 | 1,000         | 1,000                   |
| 5        | <b>XAP-05V-1</b> | <b>XARP-05V</b>         | 10.0            | 14.8 | 1,000         | 1,000                   |
| 6        | <b>XAP-06V-1</b> | <b>XARP-06V</b>         | 12.5            | 17.3 | 1,000         | 1,000                   |
| 7        | <b>XAP-07V-1</b> | <b>XARP-07V</b>         | 15.0            | 19.8 | 1,000         | 1,000                   |
| 8        | <b>XAP-08V-1</b> | <b>XARP-08V</b>         | 17.5            | 22.3 | 1,000         | 1,000                   |
| 9        | <b>XAP-09V-1</b> | <b>XARP-09V</b>         | 20.0            | 24.8 | 1,000         | 1,000                   |
| 10       | <b>XAP-10V-1</b> | <b>XARP-10V</b>         | 22.5            | 27.3 | 1,000         | 1,000                   |
| 11       | <b>XAP-11V-1</b> | <b>XARP-11V</b>         | 25.0            | 29.8 | 1,000         | 1,000                   |
| 12       | <b>XAP-12V-1</b> | <b>XARP-12V</b>         | 27.5            | 32.3 | 1,000         | 1,000                   |
| 13       | <b>XAP-13V-1</b> | <b>XARP-13V</b>         | 30.0            | 34.8 | 1,000         | 1,000                   |
| 14       | <b>XAP-14V-1</b> | <b>XARP-14V</b>         | 32.5            | 37.3 | 500           | 1,000                   |
| 15       | <b>XAP-15V-1</b> | <b>XARP-15V</b>         | 35.0            | 39.8 | 500           | 1,000                   |

### Material

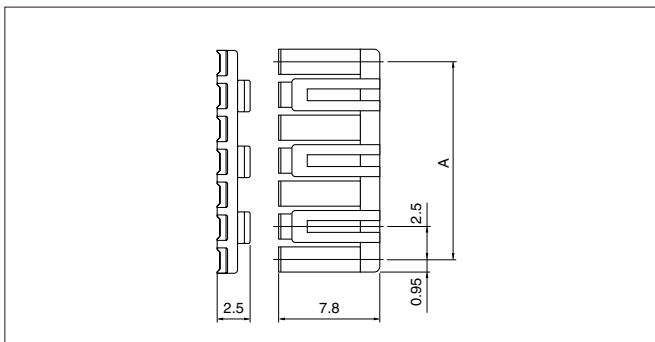
PA 66, UL94V-0, natural (white)

### RoHS compliance

<For reference> As the color identification, the following alphabet shall be put in the underlined part.  
For availability, delivery and minimum order quantity, contact JST.

ex. **XAP-02V-1-oo**  
(blank)...natural (white)  
K...black R...red E...blue M...green Y...yellow

## Retainer



### Material

Glass-filled PA 66, UL94V-0, natural (ivory)

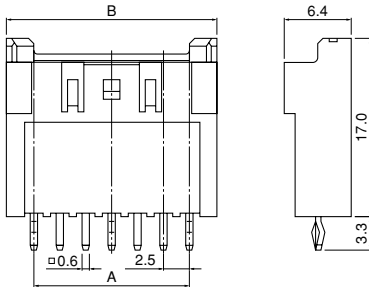
### RoHS compliance

| Circuits | Model No.      | A    | Q'ty / bag |
|----------|----------------|------|------------|
| 2        | <b>XMS-02V</b> | 2.5  | 1,000      |
| 3        | <b>XMS-03V</b> | 5.0  | 1,000      |
| 4        | <b>XMS-04V</b> | 7.5  | 1,000      |
| 5        | <b>XMS-05V</b> | 10.0 | 1,000      |
| 6        | <b>XMS-06V</b> | 12.5 | 1,000      |
| 7        | <b>XMS-07V</b> | 15.0 | 1,000      |
| 8        | <b>XMS-08V</b> | 17.5 | 1,000      |
| 9        | <b>XMS-09V</b> | 20.0 | 1,000      |
| 10       | <b>XMS-10V</b> | 22.5 | 1,000      |
| 11       | <b>XMS-11V</b> | 25.0 | 1,000      |
| 12       | <b>XMS-12V</b> | 27.5 | 1,000      |
| 13       | <b>XMS-13V</b> | 30.0 | 1,000      |
| 14       | <b>XMS-14V</b> | 32.5 | 1,000      |
| 15       | <b>XMS-15V</b> | 35.0 | 1,000      |

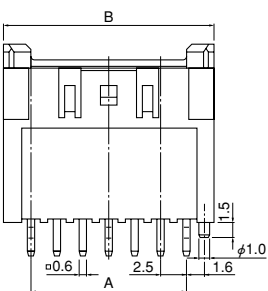
# XA CONNECTOR (High box type)

## Shrouded header

### Without a boss



### With a boss



| Circuits | Model No.      |             | Dimensions (mm) |      | Q'ty / box |
|----------|----------------|-------------|-----------------|------|------------|
|          | Without a boss | With a boss | A               | B    |            |
| 2        | BH02B-XASK-BN  | BH02B-XASK  | 2.5             | 7.5  | 400        |
| 3        | BH03B-XASK-BN  | BH03B-XASK  | 5.0             | 10.0 | 400        |
| 4        | BH04B-XASK-BN  | BH04B-XASK  | 7.5             | 12.5 | 300        |
| 5        | BH05B-XASK-BN  | BH05B-XASK  | 10.0            | 15.0 | 300        |
| 6        | BH06B-XASK-BN  | BH06B-XASK  | 12.5            | 17.5 | 200        |
| 7        | BH07B-XASK-BN  | BH07B-XASK  | 15.0            | 20.0 | 200        |
| 8        | BH08B-XASK-BN  | BH08B-XASK  | 17.5            | 22.5 | 200        |
| 9        | BH09B-XASK-BN  | BH09B-XASK  | 20.0            | 25.0 | 150        |
| 10       | BH10B-XASK-BN  | BH10B-XASK  | 22.5            | 27.5 | 150        |
| 11       | BH11B-XASK-BN  | BH11B-XASK  | 25.0            | 30.0 | 100        |
| 12       | BH12B-XASK-BN  | BH12B-XASK  | 27.5            | 32.5 | 100        |
| 13       | BH13B-XASK-BN  | BH13B-XASK  | 30.0            | 35.0 | 100        |
| 14       | BH14B-XASK-BN  | BH14B-XASK  | 32.5            | 37.5 | 100        |
| 15       | BH15B-XASK-BN  | BH15B-XASK  | 35.0            | 40.0 | 100        |

### Material and Finish

Post: Copper alloy, copper-undercoated, tin-plated (reflow treatment)  
Wafer: Glass-filled PA 66, UL94V-0, natural (ivory)

**RoHS compliance** This product displays (LF)(SN) on a label.

<For reference> As the color identification, the following alphabet shall be put in the underlined part.  
For availability, delivery and minimum order quantity, contact JST.

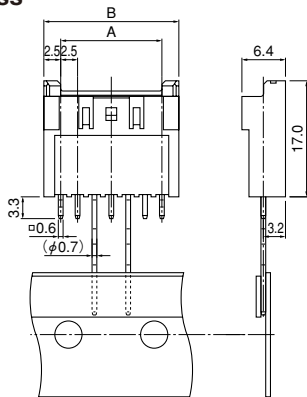
ex. BH02B-XASK-BN

S...natural (ivory)

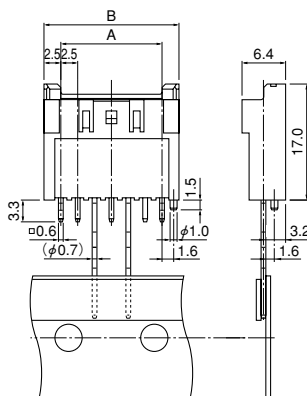
K...black R...red M...green Y...yellow

## Shrouded header on radial-tape

### Without a boss



### With a boss



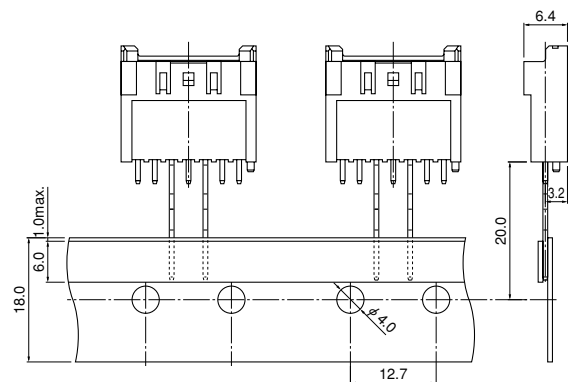
| Circuits | Model No.       |              | Dimensions (mm) |      | Q'ty / box |
|----------|-----------------|--------------|-----------------|------|------------|
|          | Without a boss  | With a boss  | A               | B    |            |
| 2        | BH02B-XASS-BN-T | BH02B-XASS-T | 2.5             | 7.5  | 1,000      |
| 3        | BH03B-XASS-BN-T | BH03B-XASS-T | 5.0             | 10.0 | 1,000      |
| 4        | BH04B-XASS-BN-T | BH04B-XASS-T | 7.5             | 12.5 | 500        |
| 5        | BH05B-XASS-BN-T | BH05B-XASS-T | 10.0            | 15.0 | 500        |
| 6        | BH06B-XASS-BN-T | BH06B-XASS-T | 12.5            | 17.5 | 500        |
| 7        | BH07B-XASS-BN-T | BH07B-XASS-T | 15.0            | 20.0 | 500        |
| 8        | BH08B-XASS-BN-T | BH08B-XASS-T | 17.5            | 22.5 | 500        |

### Material and Finish

Post: Copper alloy, copper-undercoated, tin-plated (reflow treatment)  
Wafer: Glass-filled PA 66, UL94V-0, natural (ivory)

**RoHS compliance** This product displays (LF)(SN) on a label.

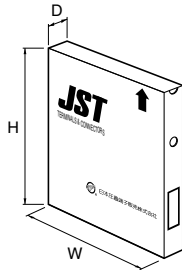
## Taping specifications



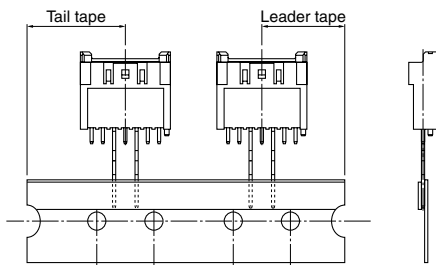
Note: Conforms to JIC C 0806 of "Tape packaging of components with unidirectional leads on continuous tapes".

# XA CONNECTOR (High box type)

## Packaging specifications



Distance between the end of the tape and the first connector's center line (either end)



|   |                                      |                  |
|---|--------------------------------------|------------------|
| Package type  | Flat pack (zigzag folded)            |                  |
| Distance between folds  | 24 indexing holes per fold (304.8mm) |                  |
| Box size  | 314(W)×54(D)×314(H)mm                |                  |
| Distance between the end of the tape and the first connector's center line (either end) | 19.05mm                              |                  |
| Quantity  | 2, 3 circuits                        | 1,000 pcs. / box |
|   | 4~8 circuits                         | 500 pcs. / box   |

*Note: Products of different packaging specifications are also available. Contact JST for details.*

## X-ON Electronics

Largest Supplier of Electrical and Electronic Components

*Click to view similar products for [Headers & Wire Housings](#) category:*

*Click to view products by [JST](#) manufacturer:*

Other Similar products are found below :

[0015917161](#) [0022155065](#) [57102-F02-18ULF](#) [58102-G61-06LF](#) [582553-1](#) [01.001.5753.1](#) [0050291907](#) [02.125.8002.8](#) [609-3404](#) [61062-3](#)  
[CSU011177004](#) [622-0430](#) [622-3653LF](#) [63453-116](#) [636-1030](#) [636-1427](#) [636-3427](#) [636-4007](#) [641938-9](#) [65495-038](#) [65692-001LF](#) [65781-018](#)  
[65781-047](#) [65817-010LF](#) [65817-015LF](#) [67095-007LF](#) [67601157](#) [68631-112](#) [68645-018](#) [699319-000](#) [70.362.1628.0](#) [70-4210](#) [70-4226B](#) [70-](#)  
[4853B](#) [71.350.2428.0](#) [733-134](#) [733-162](#) [MHR-64-VUAL](#) [80.063.4001.1](#) [800-90-001-10-001000](#) [801-43-002-10-013000](#) [801-43-006-10-](#)  
[002000](#) [803-43-024-10-001000](#) [803-93-012-10-001000](#) [8-1437020-4](#) [819-22-004-30-001101](#) [820-22-006-30-001101](#) [820-22-008-30-001101](#)  
[821-22-002-10-001101](#) [821-22-003-10-002101](#)