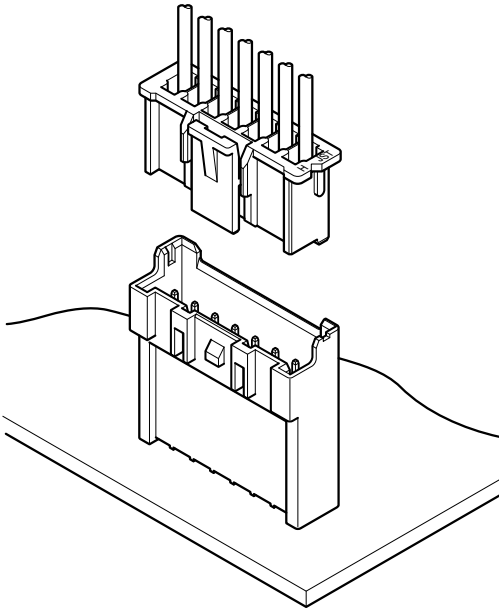


XA CONNECTOR (High box type)



2.5 mm pitch/Disconnectable Crimp style connectors



XA connector high box type, with 19.5 mm mounting height and with 6.9 mm thickness.

- Header for 2.5 mm pitch XA connector for use specifically with resin coated ("potted") PC boards
- Interchangeability

Specifications

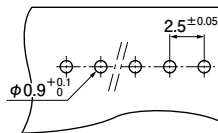
- Current rating: 3 A AC/DC (AWG #22)
 - Voltage rating: 250 V AC/DC
 - Temperature range: -25°C to +85°C
(including temperature rise in applying electrical current)
 - Contact resistance: Initial value/ 10 mΩ max.
After environmental tests/ 20 mΩ max.
 - Insulation resistance: 1,000 MΩ min.
 - Withstanding voltage: 1,000 VAC/minute
 - Applicable wire: AWG #28 to #22
 - Applicable PC board thickness: 1.6 mm
- * In using the products, refer to "Handling Precautions for Terminals and Connectors" described on our website (Technical documents of Product information page).
- * RoHS2 compliance
- * Dimensional unit: mm
- * Contact JST for details.

Standards

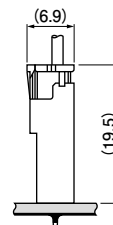
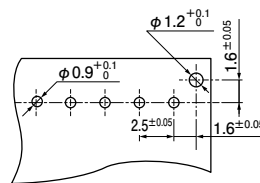
- Ⓜ Recognized E60389
- Ⓢ Certified LR20812
- ⚠ R9851220

PC board layout and Assembly layout

Without a boss



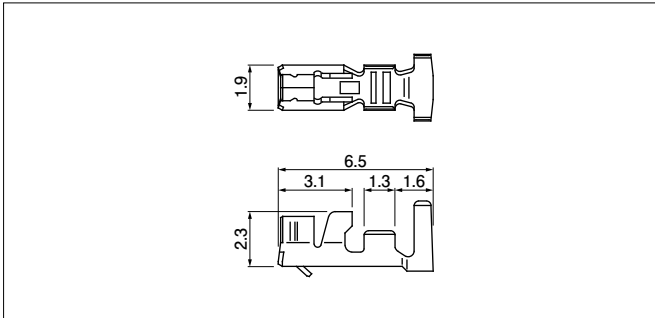
With a boss



- Note: 1. The above figure is the figure viewed from the connector mounting side .
2. Tolerances are non-cumulative: ± 0.05 mm for all centers.
3. Hole dimensions differ according to the type of PC board and piercing method.
The dimensions above should serve as a guideline. Contact JST for details.

XA CONNECTOR (High box type)

Contact



Model No.	Applicable wire			Q'ty/reel
	mm ²	AWG #	Insulation O.D. (mm)	
SXA-001T-P0.6	0.08~0.33	28~22	0.8~1.9	8,000

Material and Finish

Phosphor bronze, tin-plated (reflow treatment)

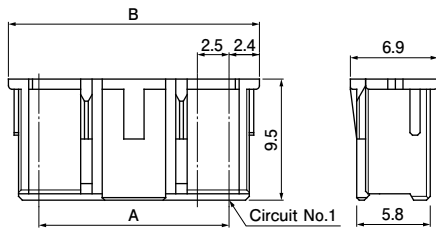
RoHS2 compliance

Contact	Crimping machine	Applicator		
		Crimp applicator	Dies	Crimp applicator with dies
SXA-001T-P0.6	AP-K2N	MKS-L	MK/SXA/M-001-06	APLMK SXA/M001-06

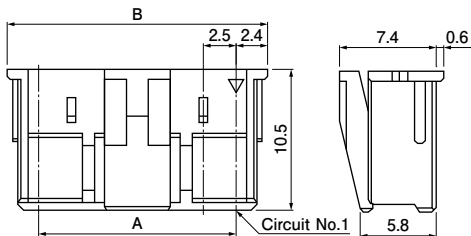
Note: Contact JST for fully automatic crimping applicator.

Housing

Standard type



Retainer mountable type



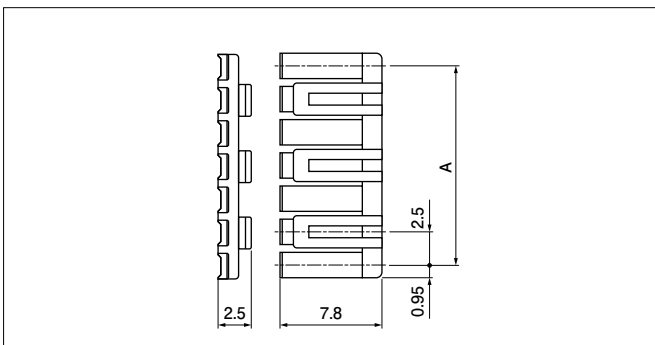
No. of circuits	Model No.		Dimensions (mm)		Q'ty/bag	
	Standard type	Retainer mountable type	A	B	Standard type	Retainer mountable type
2	XAP-02V-1	XARP-02V	2.5	7.3	1,000	1,000
3	XAP-03V-1	XARP-03V	5.0	9.8	1,000	1,000
4	XAP-04V-1	XARP-04V	7.5	12.3	1,000	1,000
5	XAP-05V-1	XARP-05V	10.0	14.8	1,000	1,000
6	XAP-06V-1	XARP-06V	12.5	17.3	1,000	1,000
7	XAP-07V-1	XARP-07V	15.0	19.8	1,000	1,000
8	XAP-08V-1	XARP-08V	17.5	22.3	1,000	1,000
9	XAP-09V-1	XARP-09V	20.0	24.8	1,000	1,000
10	XAP-10V-1	XARP-10V	22.5	27.3	1,000	1,000
11	XAP-11V-1	XARP-11V	25.0	29.8	1,000	1,000
12	XAP-12V-1	XARP-12V	27.5	32.3	1,000	1,000
13	XAP-13V-1	XARP-13V	30.0	34.8	1,000	1,000
14	XAP-14V-1	XARP-14V	32.5	37.3	500	1,000
15	XAP-15V-1	XARP-15V	35.0	39.8	500	1,000

Material and Finish

PA 66, UL94V-0, natural (white)

RoHS2 compliance

Retainer



Material and Finish

Glass-filled PA 66, UL94V-0, natural (ivory)

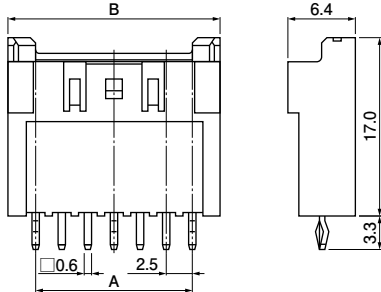
RoHS2 compliance

No. of circuits	Model No.	A	Q'ty/bag
2	XMS-02V	2.5	1,000
3	XMS-03V	5.0	1,000
4	XMS-04V	7.5	1,000
5	XMS-05V	10.0	1,000
6	XMS-06V	12.5	1,000
7	XMS-07V	15.0	1,000
8	XMS-08V	17.5	1,000
9	XMS-09V	20.0	1,000
10	XMS-10V	22.5	1,000
11	XMS-11V	25.0	1,000
12	XMS-12V	27.5	1,000
13	XMS-13V	30.0	1,000
14	XMS-14V	32.5	1,000
15	XMS-15V	35.0	1,000

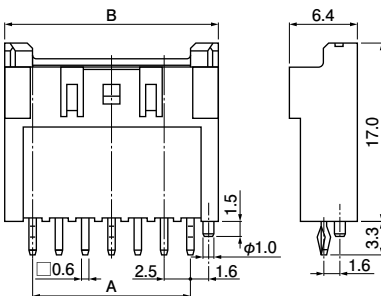
XA CONNECTOR (High box type)

Header

Without a boss



With a boss



No. of circuits	Model No.		Dimensions (mm)		Q'ty/box
	Without a boss	With a boss	A	B	
2	BH02B-XASK-BN	BH02B-XASK	2.5	7.5	400
3	BH03B-XASK-BN	BH03B-XASK	5.0	10.0	400
4	BH04B-XASK-BN	BH04B-XASK	7.5	12.5	300
5	BH05B-XASK-BN	BH05B-XASK	10.0	15.0	300
6	BH06B-XASK-BN	BH06B-XASK	12.5	17.5	200
7	BH07B-XASK-BN	BH07B-XASK	15.0	20.0	200
8	BH08B-XASK-BN	BH08B-XASK	17.5	22.5	200
9	BH09B-XASK-BN	BH09B-XASK	20.0	25.0	150
10	BH10B-XASK-BN	BH10B-XASK	22.5	27.5	150
11	BH11B-XASK-BN	BH11B-XASK	25.0	30.0	100
12	BH12B-XASK-BN	BH12B-XASK	27.5	32.5	100
13	BH13B-XASK-BN	BH13B-XASK	30.0	35.0	100
14	BH14B-XASK-BN	BH14B-XASK	32.5	37.5	100
15	BH15B-XASK-BN	BH15B-XASK	35.0	40.0	100

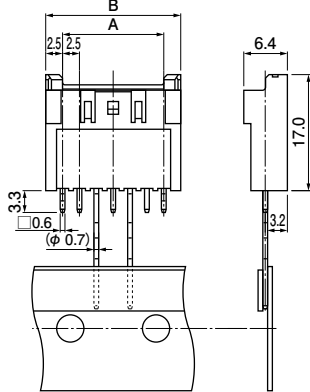
Material and Finish

Post: Copper alloy, copper-undercoated, tin-plated (reflow treatment)
Wafer: Glass-filled PA 66, UL94V-0, natural (ivory)

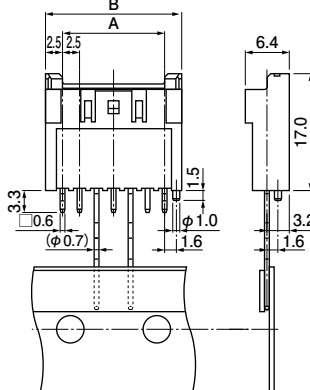
RoHS2 compliance This product displays (LF)(SN) on a label.

Header on radial-tape

Without a boss



With a boss



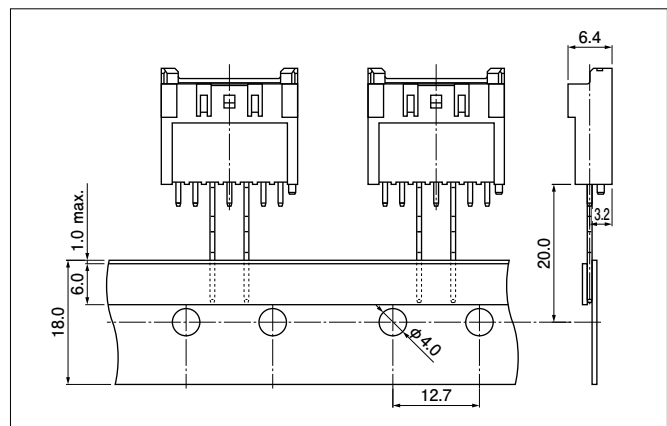
No. of circuits	Model No.		Dimensions (mm)		Q'ty/box
	Without a boss	With a boss	A	B	
2	BH02B-XASS-BN-T	BH02B-XASS-T	2.5	7.5	1,000
3	BH03B-XASS-BN-T	BH03B-XASS-T	5.0	10.0	1,000
4	BH04B-XASS-BN-T	BH04B-XASS-T	7.5	12.5	500
5	BH05B-XASS-BN-T	BH05B-XASS-T	10.0	15.0	500
6	BH06B-XASS-BN-T	BH06B-XASS-T	12.5	17.5	500
7	BH07B-XASS-BN-T	BH07B-XASS-T	15.0	20.0	500
8	BH08B-XASS-BN-T	BH08B-XASS-T	17.5	22.5	500

Material and Finish

Post: Copper alloy, copper-undercoated, tin-plated (reflow treatment)
Wafer: Glass-filled PA 66, UL94V-0, natural (ivory)

RoHS2 compliance This product displays (LF)(SN) on a label.

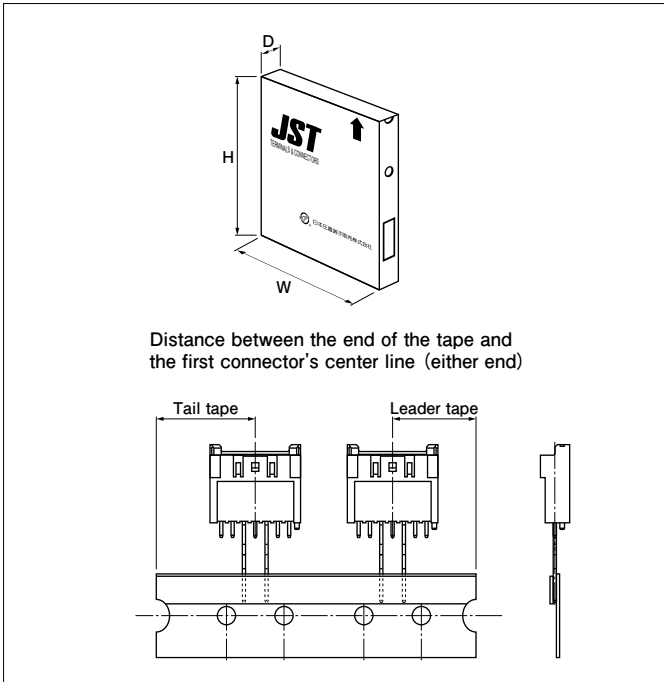
Taping specifications



Note: Conforms to JIC C 0806 of "Tape packaging of components with unidirectional leads on continuous tapes".

XA CONNECTOR (High box type)

Packaging specifications



Package type	Flat pack (zigzag folded)	
Distance between folds	24 indexing holes per fold (304.8 mm)	
Box size	314 (W) × 54 (D) × 314 (H) mm	
Distance between the end of the tape and the first connector's center line (either end)	19.05 mm	
Quantity	2, 3 circuits	1,000 pcs./box
	4 to 8 circuits	500 pcs./box

Note: Products of different packaging specifications are also available. Contact JST for details.

Model number allocation

Contact

	S XA - 001 T - P 0.6
Form: S...Strip form, B...Loose piece	
Series name	
Applicable wire range: 001...AWG #28 to #22	
Surface finish: T...Tin-plated (reflow treatment)	
Material: P...Phosphor bronze	
Terminal size	

Housing

	XAP - 02 V - 1 - ■
Series name	
Part name: Plug	
No. of circuits: 2 to 15	
Flammability: V...UL94V-0	
Sub model number	
Color: None...Natural (White), K...Black, R...Red, E...Blue, M...Green, Y...Yellow	

Housing (Retainer mountable type)

	XARP - 02 V - ■
Series name	
Part name: Plug (Retainer mountable type)	
No. of circuits: 2 to 15	
Flammability: V...UL94V-0	
Color: None...Natural (White), K...Black, R...Red, E...Blue, L...Lemon yellow	

Retainer

	XM S - 02 V
Series name	
Part name: Retainer	
No. of circuits: 2 to 15	
Flammability: V...UL94V-0	

Note: Depending on the colors, it may take some time for delivery.

XA CONNECTOR (High box type)

Model number allocation

Header

	BH 02 B - X A S K - BN
Shape of assembled product:	
BH...Top entry type High-box	
No. of circuits: 2 to 15	
Part name: Header	
Series name	
Color: S...Natural (Ivory), K...Black, R...Red, M...Green, Y...Yellow	
Indication of clinch: K...Clinched	
Shape: BN...Without boss, None...With boss	

Note: Depending on the colors, it may take some time for delivery.

Taping

	BH 02 B - X A S S - BN - T
Shape of assembled product:	
BH...Top entry type High box	
No. of circuits: 2 to 8	
Part name: Header	
Series name	
Color: S...Natural (Ivory)	
Indication of clinch: S...Straight pin	
Shape: BN...Without boss, None...With boss	
Packaging style: T...Radial-taping	

X-ON Electronics

Largest Supplier of Electrical and Electronic Components

Click to view similar products for JST manufacturer:

Other Similar products are found below :

[WC-203](#) [10HR-4K](#) [02R-WPJV-1-SMM\(NN\)](#) [WC-244](#) [B12B-PADSS\(LF\)\(SN\)](#) [S16B-PASK-2\(LF\)\(SN\)](#) [R14-8-\(NJ\)](#) [YLR-03V-K](#)
[A07SR07SR30K152A](#) [RPJ-20R](#) [A10ZR10ZR28H305A](#) [A09ZR09ZR28H102B](#) [IDH-KR-12](#) [PNIRR-08VF](#) [WC-592](#) [WC-121](#) [ZER-14V-S](#)
[ZPDR-20V-S](#) [WC1091](#) [B4B-XH-TW \(LF\)\(SN\)](#) [06FM-1.0ST\(LF\)\(SN\)](#) [ZER-12V-S](#) [YC-500](#) [HPSWC-40-K](#) [WC-930P](#) [WC-122](#) [YHT-2622](#)
[S30B-PHDSS\(LF\)\(SN\)](#) [B4B-PH-K-S \(LF\)\(SN\)](#) [B10B-PARK-1\(LF\)\(SN\)](#) [YHT-2210](#) [YRF-536](#) [B09B-PASK-1N\(LF\)\(SN\)](#)
[A12ZR12ZR28H152A](#) [A12ZR12ZR28H102A](#) [A12ZR12ZR28H152B](#) [YRF-1430](#) [WC-202](#) [PHDR-34VS](#) [B2P-VH-FB-B\(LF\)\(SN\)](#) [7P-SDN](#)
[B06B-VYHSK-D-1](#) [8P-SDN](#) [9P-SDN](#) [XAP-20V-1](#) [SMR-12V-B](#) [ASSMSSM22K203](#) [WC-620](#) [WC-160](#) [07P-SJN](#)