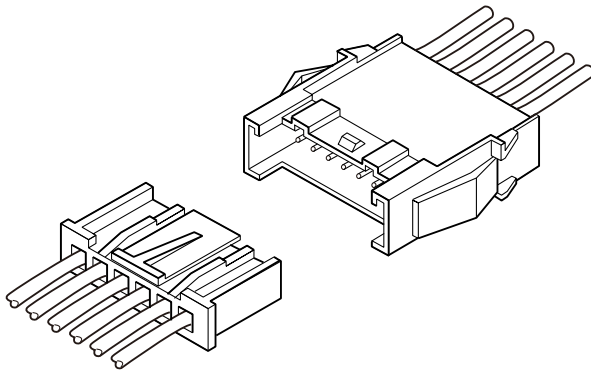


XA CONNECTOR

2.5mm pitch/Disconnectable Crimp style wire-to-wire connectors



2.5mm pitch wire-to-wire connector that can mate with the socket of XA connector (board-to-wire type). Reliable secondary retainer is available. Panel mount is applicable.

- Possible to mate with the existing XA socket
- Inner type contact lance
- Mountable on a variety of panels
- Secondary retainer
- Secure lock construction

Specifications

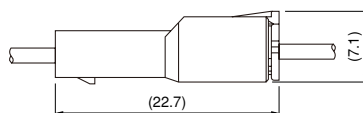
- Current rating: 3A AC, DC max. (AWG #20)
- Voltage rating: 250V AC, DC max.
- Temperature range: -25°C to +85°C
(including temperature rise in applying electrical current)
- Contact resistance: Initial value/10m Ω max.
After environmental testing/20m Ω max.
- Insulation resistance: 500M Ω min.
- Withstanding voltage: 1,500V AC/minute
- Applicable wire: AWG #28 to #20
- * Compliant with RoHS.
- * Refer to "General Instruction and Notice when using Terminals and Connectors" at the end of this catalog.
- * Contact JST for details.

Standards

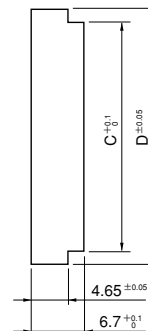
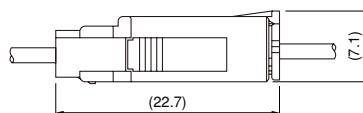
- Recognized E60389
- Certified LR20812
- R9851220

Panel layout and Assembly layout

Without panel locks



With panel locks

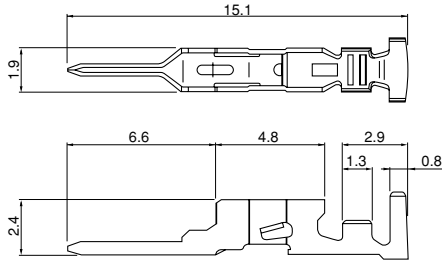


Note: C and D dimensions: Refer to receptacle housing.

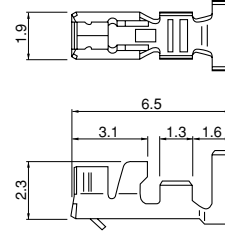
XA CONNECTOR

Contact

Pin contact



Socket contact



| Model No. | | Applicable wire | | Insulation O.D.(mm) | Q'ty / reel | |
|-----------------------|----------------------|-----------------|-------|---------------------|-------------|----------------|
| Pin contact | Socket contact | mm ² | AWG # | | Pin contact | Socket contact |
| SXAM-001T-P0.6 | SXA-001T-P0.6 | 0.08~0.33 | 28~22 | 0.8~1.9 | 7,000 | 8,000 |
| SXAM-01T-P0.6 | SXA-01T-P0.6 | 0.22~0.5 | 24~20 | 1.5~1.9 | 7,000 | 8,000 |

Material and Finish

Phosphor bronze, tin-plated (reflow treatment)

RoHS compliance

Note: Contact JST for gold-plated products.

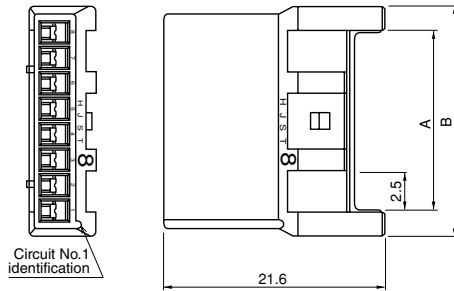
| Contact | Crimping machine | Applicator | | |
|----------------------|------------------|------------------|-------------------|----------------------------|
| | | Crimp applicator | Dies | Crimp applicator with dies |
| SXA-001T-P0.6 | AP-K2N | MKS-L | MK/SXAM/XA-001-06 | APLMK SXAM/XA001-06 |
| | | *MKS-SC | SC/SXAM/XA-001-06 | APLSC SXAM/XA001-06 |
| SXA-01T-P0.6 | | MKS-L | MK/SXAM/XA-01-06 | APLMK SXAM/XA01-06 |
| | | *MKS-SC | SC/SXAM/XA-01-06 | APLSC SXAM/XA01-06 |

Note: *Strip-crimp applicator

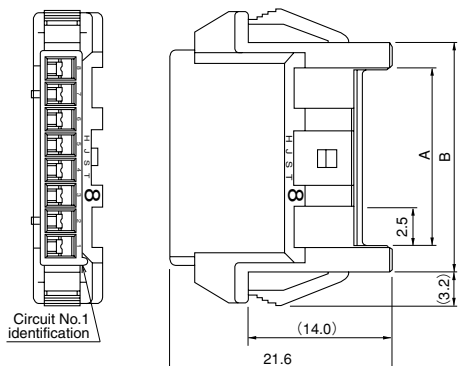
| Contact | Crimping machine | Applicator | | |
|-----------------------|------------------|------------------|-------------------|----------------------------|
| | | Crimp applicator | Dies | Crimp applicator with dies |
| SXAM-001T-P0.6 | AP-K2N | MKS-L | MK/SXAM/XA-001-06 | APLMK SXAM/XA001-06 |
| | | *MKS-SC | SC/SXAM/XA-001-06 | APLSC SXAM/XA001-06 |
| SXAM-01T-P0.6 | | MKS-L | MK/SXAM/XA-01-06 | APLMK SXAM/XA01-06 |
| | | *MKS-SC | SC/SXAM/XA-01-06 | APLSC SXAM/XA01-06 |

Receptacle housing (for pin dies contact)

Without panel locks



With panel locks



| Circuits | Model No. | | Dimensions (mm) | | | | Q'ty / bag |
|----------|---------------------|------------------|-----------------|------|------|------|------------|
| | Without panel locks | With panel locks | A | B | C | D | |
| 2 | XARR-02VF | XARR-02V | 2.5 | 7.5 | 7.9 | 11.2 | 1,000 |
| 3 | XARR-03VF | XARR-03V | 5.0 | 10.0 | 10.4 | 13.7 | 1,000 |
| 4 | XARR-04VF | XARR-04V | 7.5 | 12.5 | 12.9 | 16.2 | 1,000 |
| 5 | XARR-05VF | XARR-05V | 10.0 | 15.0 | 15.4 | 18.7 | 1,000 |
| 6 | XARR-06VF | XARR-06V | 12.5 | 17.5 | 17.9 | 21.2 | 500 |
| 7 | — | XARR-07V | 15.0 | 20.0 | 20.4 | 23.7 | 500 |
| 8 | XARR-08VF | XARR-08V | 17.5 | 22.5 | 22.9 | 26.2 | 500 |
| 9 | XARR-09VF | XARR-09V | 20.0 | 25.0 | 25.4 | 28.7 | 500 |
| 10 | XARR-10VF | XARR-10V | 22.5 | 27.5 | 27.9 | 31.2 | 500 |
| 11 | — | XARR-11V | 25.0 | 30.0 | 30.4 | 33.7 | 500 |
| 12 | XARR-12VF | XARR-12V | 27.5 | 32.5 | 32.9 | 36.2 | 500 |
| 13 | — | XARR-13V | 30.0 | 35.0 | 35.4 | 38.7 | 500 |
| 14 | — | XARR-14V | 32.5 | 37.5 | 37.9 | 41.2 | 500 |
| 15 | — | XARR-15V | 35.0 | 40.0 | 40.4 | 43.7 | 500 |

Material

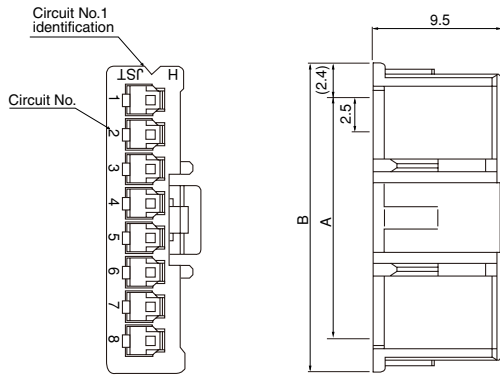
PA 66, UL94V-0, natural (white)

RoHS compliance

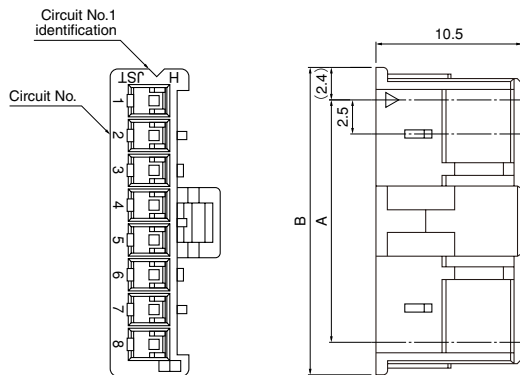
Note: C and D dimensions: Panel layout dimensions

Plug housing (for socket contact)

Standard type



Retainer mountable type



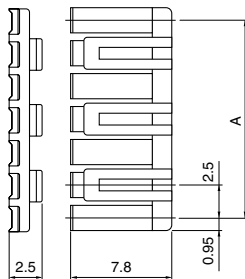
| Circuits | Model No. | | Dimensions (mm) | | Q'ty / bag | |
|----------|---------------|-------------------------|-----------------|------|---------------|-------------------------|
| | Standard type | Retainer mountable type | A | B | Standard type | Retainer mountable type |
| 2 | XAP-02V-1 | XARP-02V | 2.5 | 7.3 | 1,000 | 1,000 |
| 3 | XAP-03V-1 | XARP-03V | 5.0 | 9.8 | 1,000 | 1,000 |
| 4 | XAP-04V-1 | XARP-04V | 7.5 | 12.3 | 1,000 | 1,000 |
| 5 | XAP-05V-1 | XARP-05V | 10.0 | 14.8 | 1,000 | 1,000 |
| 6 | XAP-06V-1 | XARP-06V | 12.5 | 17.3 | 1,000 | 1,000 |
| 7 | XAP-07V-1 | XARP-07V | 15.0 | 19.8 | 1,000 | 1,000 |
| 8 | XAP-08V-1 | XARP-08V | 17.5 | 22.3 | 1,000 | 1,000 |
| 9 | XAP-09V-1 | XARP-09V | 20.0 | 24.8 | 1,000 | 1,000 |
| 10 | XAP-10V-1 | XARP-10V | 22.5 | 27.3 | 1,000 | 1,000 |
| 11 | XAP-11V-1 | XARP-11V | 25.0 | 29.8 | 1,000 | 1,000 |
| 12 | XAP-12V-1 | XARP-12V | 27.5 | 32.3 | 1,000 | 1,000 |
| 13 | XAP-13V-1 | XARP-13V | 30.0 | 34.8 | 1,000 | 1,000 |
| 14 | XAP-14V-1 | XARP-14V | 32.5 | 37.3 | 500 | 1,000 |
| 15 | XAP-15V-1 | XARP-15V | 35.0 | 39.8 | 500 | 1,000 |

Material

PA 66, UL94V-0, natural (white)

RoHS compliance

Retainer



| Circuits | Model No. | A | Q'ty / bag |
|----------|-----------|------|------------|
| 2 | XMS-02V | 2.5 | 1,000 |
| 3 | XMS-03V | 5.0 | 1,000 |
| 4 | XMS-04V | 7.5 | 1,000 |
| 5 | XMS-05V | 10.0 | 1,000 |
| 6 | XMS-06V | 12.5 | 1,000 |
| 7 | XMS-07V | 15.0 | 1,000 |
| 8 | XMS-08V | 17.5 | 1,000 |
| 9 | XMS-09V | 20.0 | 1,000 |
| 10 | XMS-10V | 22.5 | 1,000 |
| 11 | XMS-11V | 25.0 | 1,000 |
| 12 | XMS-12V | 27.5 | 1,000 |
| 13 | XMS-13V | 30.0 | 1,000 |
| 14 | XMS-14V | 32.5 | 1,000 |
| 15 | XMS-15V | 35.0 | 1,000 |

Material

Glass-filled PA 66, UL94V-0, natural (ivory)

RoHS compliance

X-ON Electronics

Largest Supplier of Electrical and Electronic Components

Click to view similar products for [Headers & Wire Housings](#) category:

Click to view products by [JST](#) manufacturer:

Other Similar products are found below :

[95000-104TRLF](#) [10135584-644402LF](#) [DF62W-EP2022PCA](#) [95000-106TRLF](#) [DF62W-2022SCA](#) [DF62W-EP2022PC](#) [2203348](#) [DF62W-2022SC](#) [1084018](#) [1029039](#) [1084017](#) [802-10-012-10-002000](#) [1112640](#) [1112639](#) [891-007-9SS-BST1T](#) [000-34000](#) [0008550134](#) [0009482033](#) [0009507031](#) [57102-F02-18ULF](#) [57102-S06-03LF](#) [57202-S52-04LF](#) [PCN6-15S-2.5E](#) [0039019024](#) [58102-G61-06LF](#) [582553-1](#) [0009485154](#) [0009508121](#) [0022285053](#) [0050291907](#) [018731A](#) [LY20-4P-DT1-P1E-BR](#) [02.125.8002.8](#) [60101931](#) [60598-1 \(Cut Strip\)](#) [M1625-3R/100](#) [61062-3](#) [61082-181009](#) [CSU011177004](#) [636-1427](#) [638009-1](#) [641938-9](#) [641991-4](#) [644168-1](#) [644827-2](#) [647662-1](#) [65039-019ELF](#) [65692-001LF](#) [65781-018](#) [65781-047](#)