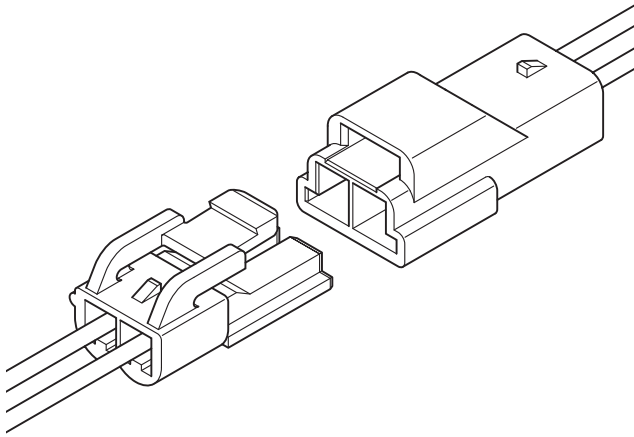




# YLN CONNECTOR

4.5mm pitch/Disconnectable Crimp style Wire-to-wire connectors



**The YLN connector adds variations in shape to the existing color variations of the YL connector in order to improve identification of connectors. Moreover, this connector has a mechanism to prevent incomplete mating by utilizing the inertial force generated when the plug and receptacle are mated and therefore, ensures complete mating.**

- Design to prevent incidental mating with the YL connector
- Inertial force mechanism
- Interchangeability
- Finger friendly design

## Specifications

- Current rating: 10 A max. AC, DC  
(7 A when retainers are mounted)
- Voltage rating: 300 V max. AC, DC
- Temperature range: -25°C to +90°C  
(including temperature rise in applying electrical current)
- Contact resistance: Initial value/ 7 mΩ max.  
After environmental tests/ 10 mΩ max.
- Insulation resistance: 1,000 MΩ min.
- Withstanding voltage: 1,500 VAC/minute
- Applicable wire: AWG #26 to #16  
0.13 to 1.25 mm<sup>2</sup>

\* Refer to "General Instruction and Notice when using Terminals and Connectors" at the end of this catalog.

\* Contact JST for details.

\* Compliant with RoHS.

Note: The current rating differs depending on the number of circuits and the wire size used in each connector. The table below lists the current rating as a function of the number of circuits and the wire size.

Current unit : A

Circuits	Wire size (AWG)					
	#16	#18	#20	#22	#24	#26
2	10	7	5	4	3	2
3	9	6	4	4	3	2
4	9	6	4	4	3	2
6	8	5	3	3	2	2

Note: Secondary retainers cannot be used with AWG #16 wires.

## Standards

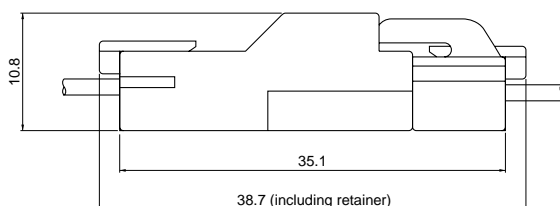
Recognized E60389

Certified LR20812

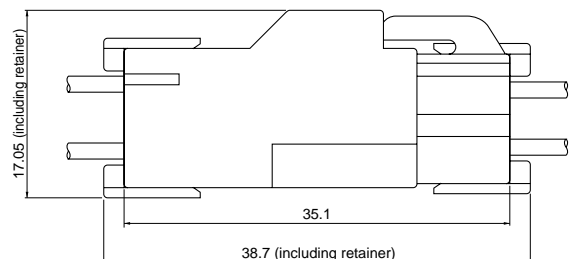
R9351052

## Assembly layout

<2, 3 circuits>



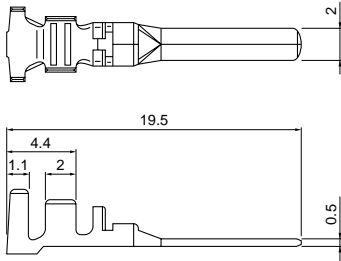
<4, 6 circuits>



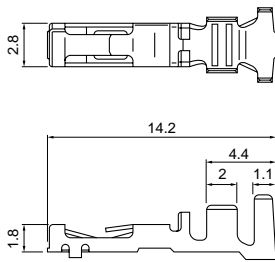
# YLN CONNECTOR

## Contact

### Pin contact



### Socket contact



Model No.		Applicable wire		Insulation O.D. (mm)	Q'ty/ reel
Pin contact	Socket contact	mm <sup>2</sup>	AWG #		
<b>SYM-01T-P0.5A</b>	<b>SYF-01T-P0.5A</b>	0.13~0.5	26~20	1.3~2.5	4,000 (SYM-01T-P0.5A) 5,000
<b>SYM-41T-P0.5A</b>	<b>SYF-41T-P0.5A</b>	0.5~1.25	20~16	2.0~3.4	
		0.3+0.3~ 0.5+0.5	22+22~ 20+20	1.5+1.5~ 2.0+2.0	

### Material and Finish

Phosphor bronze, tin-plated (reflow treatment)

### RoHS compliance

Note: 1. Contact JST for special products.

2. Retainers cannot be used with electric wire whose insulation O.D. exceeds 2.7 mm and AWG #16.

Contact	Crimping machine	Applicator		
		Crimp applicator	Dies	Crimp applicator with dies
<b>SYM-01T-P0.5A</b>	AP-K2N	MKS-L	MK/SYF/M-01-05	APLMK SYF/M01-05
<b>SYF-01T-P0.5A</b>		*MKS-SC-YL	SC/SYF/M-01-05	APLSC SYF/M01-05
<b>SYM-41T-P0.5A</b>		MKS-L	MK/SYF/M-41-05	APLMK SYF/M41-05
<b>SYF-41T-P0.5A</b>		*MKS-SC-YL	SC/SYF/M-41-05	APLSC SYF/M41-05

Note: \*Strip-crimp applicator

## Housing

Material: Housing...PA 66, UL94V-0, natural (white)

Retainer...Glass-filled PA 66, UL94V-0, natural (ivory)

Circuits	Voltage rating	Current rating	Receptacle housing (for pin contact)		Plug housing (for socket contact)		Retainer	
2	300V	7A (10A)	<b>YLN-02VF</b> 10.8 26.6 13.8 6.5 No.1 hole mark	Q'ty/ bag 250	<b>YLN-02V</b> 10.2 20.9 11 No.1 hole mark	Q'ty/ bag 500	<b>YLS-02V</b> (Used with both housings with 2 and 4 circuits) 2.9 8.3	Q'ty/ bag 1,000
3	300V	6A (9A)	<b>YLN-03VF</b> 10.8 26.6 18.3 6.5 No.1 hole mark	Q'ty/ bag 250	<b>YLN-03V</b> 10.2 20.9 15.5 No.1 hole mark	Q'ty/ bag 500	<b>YLS-03V</b> (Used with both housings with 3 and 6 circuits) 2.9 12.8	Q'ty/ bag 1,000
4	300V	6A (9A)	<b>YLN-04VF</b> 16.1 26.6 13.8 6.5 No.1 hole mark	Q'ty/ bag 250	<b>YLN-04V</b> 15.3 20.9 11 No.1 hole mark	Q'ty/ bag 250	<b>YLS-02V</b> (Used with both housings with 2 and 4 circuits) 2.9 8.3	Q'ty/ bag 1,000
6	300V	5A (8A)	<b>YLN-06VF</b> 16.1 26.6 18.3 6.5 No.1 hole mark	Q'ty/ bag 200	<b>YLN-06V</b> 15.3 20.9 15.5 No.1 hole mark	Q'ty/ bag 200	<b>YLS-03V</b> (Used with both housings with 3 and 6 circuits) 2.9 12.8	Q'ty/ bag 1,000

### RoHS compliance

Note: Current rating in parentheses is for use with AWG #16 wire. (Retainers are not mountable.)

## X-ON Electronics

Largest Supplier of Electrical and Electronic Components

*Click to view similar products for [Headers & Wire Housings](#) category:*

*Click to view products by [JST](#) manufacturer:*

Other Similar products are found below :

[57102-F02-18ULF](#) [58102-G61-06LF](#) [0009485154](#) [009176003701906](#) [0050291907](#) [02.125.8002.8](#) [609-3404](#) [61062-3](#) [622-0430](#) [622-3653LF](#)  
[63453-116](#) [636-1030](#) [636-1427](#) [636-3427](#) [636-4007](#) [641938-9](#) [644827-2](#) [65495-038](#) [65692-001LF](#) [65781-018](#) [65781-047](#) [65817-010LF](#)  
[65817-015LF](#) [66207-023LF](#) [67016-026LF](#) [67095-007LF](#) [68631-112](#) [68645-018](#) [68648-049](#) [699319-000](#) [70.362.1628.0](#) [70-4210](#) [70-4226B](#)  
[70-4853B](#) [707-5020](#) [707-5028](#) [71.350.2428.0](#) [71961-016LF](#) [733-134](#) [754199-000](#) [760-3052](#) [787-8014-00](#) [FCN-367T-T012/H](#) [80.063.4001.1](#)  
[800-90-001-10-001000](#) [800-90-010-10-002000](#) [801-43-002-10-013000](#) [801-43-006-10-002000](#) [803-41-018-10-001000](#) [803-43-014-20-](#)  
[001000](#)