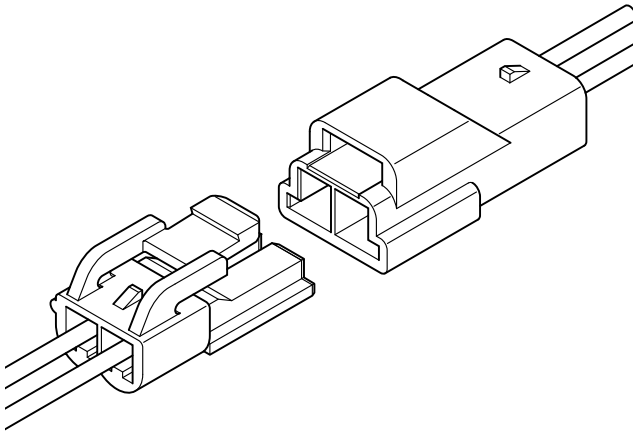


YLN CONNECTOR

4.5 mm pitch/Disconnectable Crimp style Wire-to-wire connectors



The YLN connector adds variations in shape to the existing color variations of the YL connector in order to improve identification of connectors. Moreover, this connector has a mechanism to prevent incomplete mating by utilizing the inertial force generated when the plug and receptacle are mated and therefore, ensures complete mating.

- Design to prevent incidental mating with the YL connector
- Inertial force mechanism
- Interchangeability
- Finger friendly design

Specifications

- Current rating: 10 A AC/DC
(7 A when retainers are mounted)
- Voltage rating: 300 V AC/DC
- Temperature range: -25°C to +90°C
(including temperature rise in applying electrical current)
- Contact resistance: Initial value/ 7 mΩ max.
After environmental tests/ 10 mΩ max.
- Insulation resistance: 1,000 MΩ min.
- Withstanding voltage: 1,500 VAC/minute
- Applicable wire: AWG #26 to #16
0.13 to 1.25 mm²

* In using the products, refer to "Handling Precautions for Terminals and Connectors" described on our website (Technical documents of Product information page).

* RoHS2 compliance

* Dimensional unit: mm

* Contact JST for details.

Note: The current rating differs depending on the number of circuits and the wire size used in each connector. The table below lists the current rating as a function of the number of circuits and the wire size.

Current unit : A

No. of circuits	Wire size (AWG)					
	#16	#18	#20	#22	#24	#26
2	10	7	5	4	3	2
3	9	6	4	4	3	2
4	9	6	4	4	3	2
6	8	5	3	3	2	2

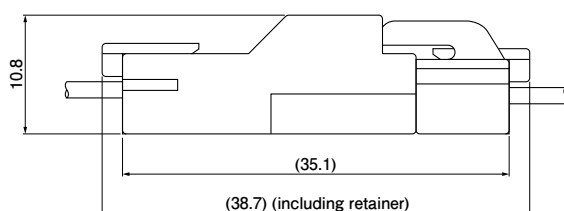
Note: Secondary retainers cannot be used with AWG #16 wires.

Standards

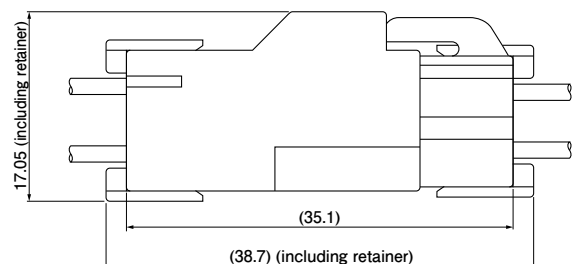
- Recognized E60389
- Certified LR20812
- R9351052

Assembly layout

<2, 3 circuits>



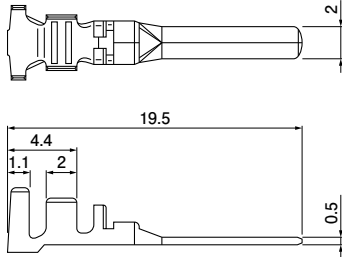
<4, 6 circuits>



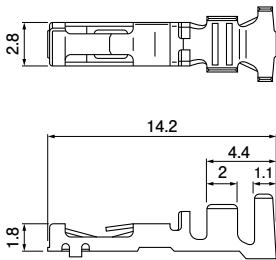
YLN CONNECTOR

Contact

Pin contact



Socket contact



Model No.		Applicable wire		Insulation O.D. (mm)	Q'ty/reel
Pin contact	Socket contact	mm ²	AWG #		
SYM-01T-P0.5A	SYF-01T-P0.5A	0.13~0.5	26~20	1.3~2.5	4,000 (SYM-01T-P0.5A) 5,000
SYM-41T-P0.5A	SYF-41T-P0.5A	0.5~1.25	20~16	2.0~3.4	
		0.3+0.3~ 0.5+0.5	22+22~ 20+20	1.5+1.5~ 2.0+2.0	

Material and Finish

Phosphor bronze, tin-plated (reflow treatment)

RoHS2 compliance

Note: 1. Contact JST for special products.

2. Retainers cannot be used with electric wire whose insulation O.D. exceeds 2.7 mm and AWG #16.

Contact	Crimping machine	Applicator		
		Crimp applicator	Dies	Crimp applicator with dies
SYM-01T-P0.5A	AP-K2N	MKS-L	MK/SYF/M-01-05	APLMK SYF/M01-05
SYF-01T-P0.5A			MK/SYF/M-41-05	APLMK SYF/M41-05
SYM-41T-P0.5A				
SYF-41T-P0.5A				

Note: Contact JST for fully automatic crimping applicator.

Housing

Material: Housing...PA 66, UL94V-0, natural (white)
Retainer...Glass-filled PA 66, UL94V-0, natural (ivory)

No. of circuits	Voltage rating	Current rating	Receptacle housing (for pin contact)	Plug housing (for socket contact)	Retainer
2	300 V	7 A (10 A)	YLNLR-02VF 	YLNLP-02V 	YLS-02V (Used with both housings with 2 and 4 circuits)
3	300 V	6 A (9 A)	YLNLR-03VF 	YLNLP-03V 	YLS-03V (Used with both housings with 3 and 6 circuits)
4	300 V	6 A (9 A)	YLNLR-04VF 	YLNLP-04V 	YLS-02V (Used with both housings with 2 and 4 circuits)
6	300 V	5 A (8 A)	YLNLR-06VF 	YLNLP-06V 	YLS-03V (Used with both housings with 3 and 6 circuits)

RoHS2 compliance

Note: Current rating in parentheses is for use with AWG #16 wire. (Retainers are not mountable.)

X-ON Electronics

Largest Supplier of Electrical and Electronic Components

Click to view similar products for JST manufacturer:

Other Similar products are found below :

[WC-203](#) [10HR-4K](#) [02R-WPJV-1-SMM\(NN\)](#) [WC-244](#) [B12B-PADSS\(LF\)\(SN\)](#) [S16B-PASK-2\(LF\)\(SN\)](#) [R14-8-\(NJ\)](#) [R14-6](#) [YLR-03V-K](#)
[A07SR07SR30K152A](#) [RPJ-20R](#) [A10ZR10ZR28H305A](#) [A09ZR09ZR28H102B](#) [PNIRR-08VF](#) [WC-592](#) [WC-121](#) [ZER-14V-S](#) [ZPDR-20V-S](#)
[WC1091](#) [B4B-XH-TW \(LF\)\(SN\)](#) [06FM-1.0ST\(LF\)\(SN\)](#) [ZER-12V-S](#) [YC-500](#) [HPSWC-40-K](#) [WC-930P](#) [WC-122](#) [YHT-2622](#) [S30B-](#)
[PHDSS\(LF\)\(SN\)](#) [B4B-PH-K-S \(LF\)\(SN\)](#) [B10B-PARK-1\(LF\)\(SN\)](#) [YHT-2210](#) [YRF-536](#) [B09B-PASK-1N\(LF\)\(SN\)](#) [A12ZR12ZR28H152A](#)
[A12ZR12ZR28H102A](#) [A12ZR12ZR28H152B](#) [YRF-1430](#) [WC-202](#) [PHDR-34VS](#) [B2P-VH-FB-B\(LF\)\(SN\)](#) [7P-SDN](#) [B06B-VYHSK-D-1](#) [8P-](#)
[SDN](#) [9P-SDN](#) [XAP-20V-1](#) [SMR-12V-B](#) [ASSMSSM22K203](#) [WC-620](#) [WC-160](#) [07P-SJN](#)