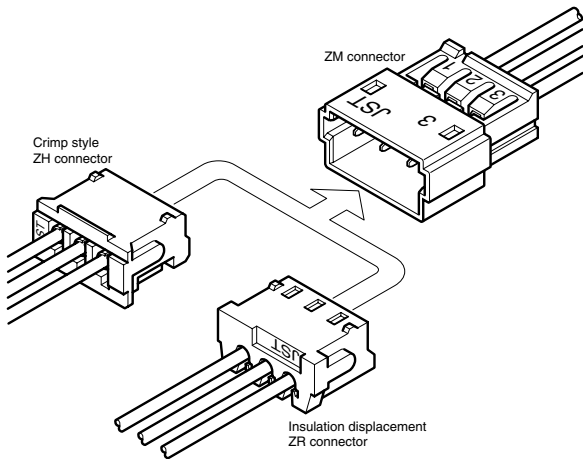




ZM CONNECTOR

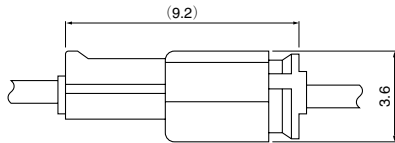
1.5mm pitch/Crimp style Wire-to-wire connectors Matable with ZH and ZR receptacles



1.5mm pitch connectors allow higher densities.

- Compact design
- Housing-to-terminal locks
- Both crimp style and insulation displacement receptacles can be used
- Fully shrouded header resists "rocking" during mating

ZM/ZH connector



Specifications

- Current rating: 0.7A AC, DC max. (AWG #28)
 - Voltage rating: 50V AC, DC max. (See Note below.)
 - Temperature range: -25°C to +85°C (including temperature rise in applying electrical current)
 - Contact resistance: Initial value/ 20m Ω max. After environmental testing/ 30m Ω max.
 - Insulation resistance: 500M Ω min.
 - Withstanding voltage: 500V AC/minute
 - Applicable wire: AWG #30 to #28
- Note: Contacts are exposed at the housing lances. Care should be taken so that these parts do not touch the metal section of the chassis.*

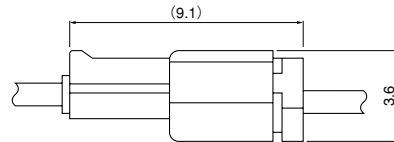
- * Compliant with RoHS.
- * Refer to "General Instruction and Notice when using Terminals and Connectors" at the end of this catalog.
- * Contact JST for details.

Standards

Recognized E60389

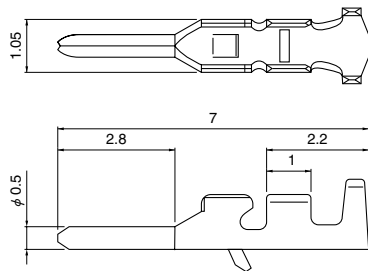
Certified LR20812

ZM/ZR connector

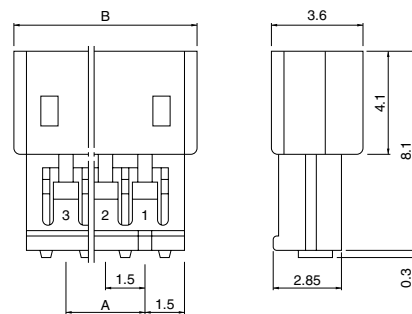


Plug / ZM connector

Contact



Housing



| Model No. | Applicable wire | | Insulation O.D. (mm) | Q'ty / reel |
|----------------------|-----------------|-------|----------------------|-------------|
| | mm ² | AWG # | | |
| SMM-003T-P0.5 | 0.05~0.08 | 30~28 | 0.7~0.9 | 16,000 |

Material and Finish

Phosphor bronze, tin-plated (reflow treatment)

RoHS compliance

| Contact | Crimping machine | Applicator | | |
|----------------------|------------------|------------------|---------------|----------------------------|
| | | Crimp applicator | Dies | Crimp applicator with dies |
| SMM-003T-P0.5 | AP-K2N | MKS-L | MK/SMM-003-05 | APLMK SMM003-05 |
| | | *MKS-SC | SC/SMM-003-05 | APLSC SMM003-05 |

Note: *Strip-crimp applicator

| Circuits | Model No. | Dimensions (mm) | | Q'ty / bag |
|----------|---------------|-----------------|------|------------|
| | | A | B | |
| 2 | ZMR-02 | 1.5 | 5.5 | 2,000 |
| 3 | ZMR-03 | 3.0 | 7.0 | 2,000 |
| 9 | ZMR-09 | 12.0 | 16.0 | 1,000 |
| 13 | ZMR-13 | 18.0 | 22.0 | 1,000 |

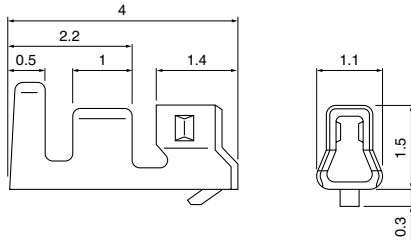
Material

Glass-filled PA 66, UL94V-0

RoHS compliance

Receptacle / ZH connector (Crimp style)

Contact



| Model No. | Dimensions (mm) | | Insulation (mm) | Q'ty / reel |
|----------------------|-----------------|-------|-----------------|-------------|
| | mm ² | AWG # | | |
| SZH-003T-P0.5 | 0.032~0.08 | 32~28 | 0.5~0.9 | 16,000 |

Material and Finish

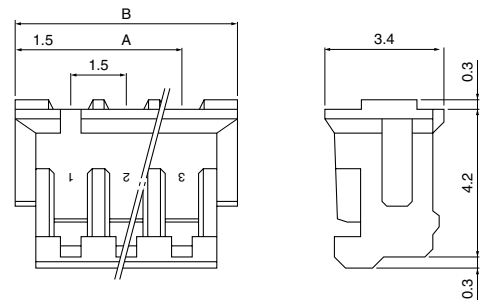
Phosphor bronze, tin-plated (reflow treatment)

RoHS compliance

| Contact | Crimping machine | Applicator | | |
|----------------------|------------------|------------------|---------------|----------------------------|
| | | Crimp applicator | Dies | Crimp applicator with dies |
| SZH-003T-P0.5 | AP-K2N | MKS-L | MK/SZH-003-05 | APLMK SZH003-05 |
| | | *MKS-SC | SC/SZH-003-05 | APLSC SZH003-05 |

Note: *Strip-crimp applicator

Housing



| Circuits | Model No. | Dimensions (mm) | | Q'ty / bag |
|----------|---------------|-----------------|------|------------|
| | | A | B | |
| 2 | ZHR-2 | 1.5 | 4.5 | 1,000 |
| 3 | ZHR-3 | 3.0 | 6.0 | 1,000 |
| 9 | ZHR-9 | 12.0 | 15.0 | 1,000 |
| 13 | ZHR-13 | 18.0 | 21.0 | 1,000 |

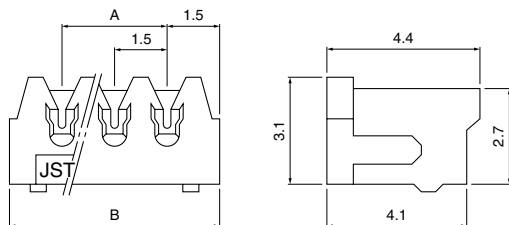
Material

PA 66, UL94V-0

RoHS compliance

Receptacle / ZR connector (IDC)

Receptacle



| Circuits | Model No. | | Dimensions (mm) | | Q'ty / bag |
|----------|------------------|------------------|-----------------|------|------------|
| | AWG #30 | AWG #28 | A | B | |
| 2 | 02ZR-3H-P | 02ZR-8M-P | 1.5 | 4.5 | 2,000 |
| 3 | 03ZR-3H-P | 03ZR-8M-P | 3.0 | 6.0 | 2,000 |
| 9 | 09ZR-3H-P | 09ZR-8M-P | 12.0 | 15.0 | 2,000 |
| 13 | 13ZR-3H-P | 13ZR-8M-P | 18.0 | 21.0 | 2,000 |

Material

Contact: Phosphor bronze, tin-plated (reflow treatment)
Housing: Glass-filled PA 66, UL94V-0

RoHS compliance

X-ON Electronics

Largest Supplier of Electrical and Electronic Components

Click to view similar products for [Headers & Wire Housings](#) category:

Click to view products by [JST](#) manufacturer:

Other Similar products are found below :

[57102-F02-18ULF](#) [58102-G61-06LF](#) [582553-1](#) [009176003701906](#) [0050291907](#) [02.125.8002.8](#) [609-3404](#) [61062-3](#) [622-0430](#) [622-3653LF](#)
[63453-116](#) [636-1030](#) [636-1427](#) [636-3427](#) [636-4007](#) [641938-9](#) [65495-038](#) [65692-001LF](#) [65781-018](#) [65781-047](#) [65817-010LF](#) [65817-015LF](#)
[66207-023LF](#) [67016-026LF](#) [67095-007LF](#) [68631-112](#) [68645-018](#) [68648-049](#) [699319-000](#) [M90C108951C](#) [70.362.1628.0](#) [70-4210](#) [70-4226B](#)
[70-4853B](#) [707-5020](#) [707-5028](#) [71.350.2428.0](#) [71961-016LF](#) [733-134](#) [754199-000](#) [760-3052](#) [787-8014-00](#) [FCN-367T-T012/H](#)
[80.063.4001.1](#) [800-90-001-10-001000](#) [801-43-002-10-013000](#) [801-43-006-10-002000](#) [803-41-018-10-001000](#) [803-43-014-20-001000](#)
[803-43-024-10-001000](#)