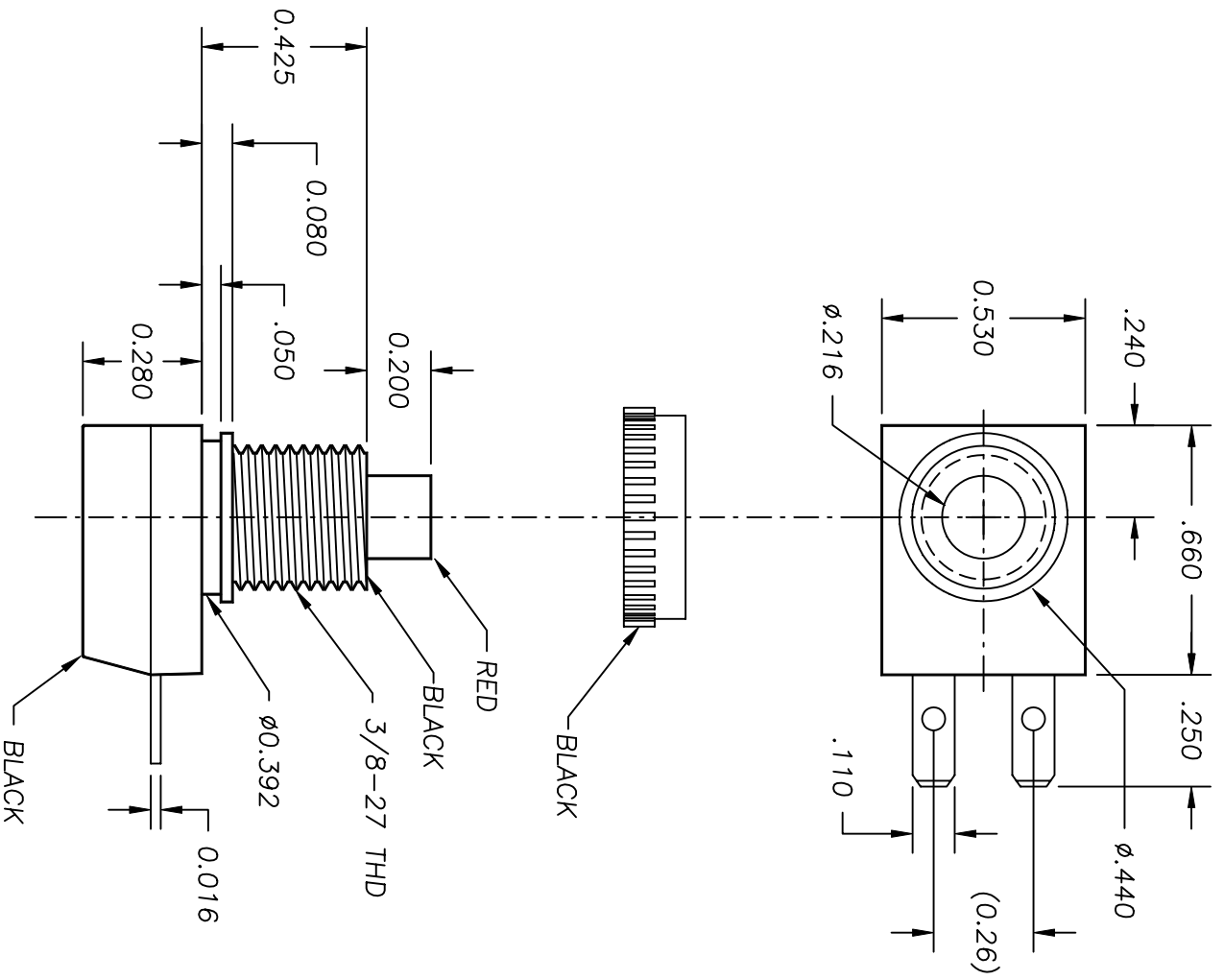



LTR	EN	DESCRIPTION	APPR	BY	DATE
A	-	INITIAL RELEASE	RB	EM	2-04-04
A1	-	CORRECTED SWITCH TYPE FUNCTION	MT	NH	1-13-09



JUDCO INVENTORY NO. 40-1880-02
 SWITCH TYPE: NORMALLY CLOSED, MOMENTARY OPEN
 NUTS PACKED SEPARATELY

CUSTOMER:
CUST. PN:
APPROVED BY: _____
DATE: _____

DIMENSIONS IN INCHES DIMENSIONS ARE REFERENCE		 HARBOR CITY CALIFORNIA
DRAWN: EM	02-04-04	
APPR: KJ	02-04-04	DWG. NO. 1415-561
ENG: IS	1-13-09	TITLE OUTLINE J-188A-3
1415US61A1.DWG		SHEET 1 OF 1

This document embodies a product, component, and/or design proprietary to JUDCO MANUFACTURING INC., and which is protected either as a trade secret, by U.S. Patent, or by copyright. It may not be used in any way without written express consent of JUDCO MANUFACTURING INC.

X-ON Electronics

Largest Supplier of Electrical and Electronic Components

Click to view similar products for [judco manufacturer](#):

Other Similar products are found below :

[19-1082-00](#) [50-0063-00](#) [40-2531-01](#) [40-2502-01](#) [40-3658-01](#) [40-3573-02](#) [40-4911-00](#) [40-3355-01](#) [40-3536-00](#) [40-3438-02](#) [42-0711-00](#) [40-1880-02](#) [40-4743-00](#) [40-1673-01](#) [40-3429-00](#) [50-0089-00](#) [50-0041-00](#) [40-3657-00](#) [19-1103-00](#) [40-4818-00](#) [40-4744-00](#) [40-3352-02](#) [40-4819-00](#) [40-4675-00](#) [40-4816-00](#) [40-4314-00](#) [40-2386-00](#) [40-4520-00](#) [40-4394-00](#) [18-1017-00](#) [40-4677-00](#) [40-3145-01](#) [40-2390-00](#) [40-1672-02](#) [40-4526-00](#) [40-4313-00](#) [40-2385-01](#) [40-4463-01](#) [18-0112-02](#) [40-4325-00](#) [40-2388-01](#) [19-1088-00](#)