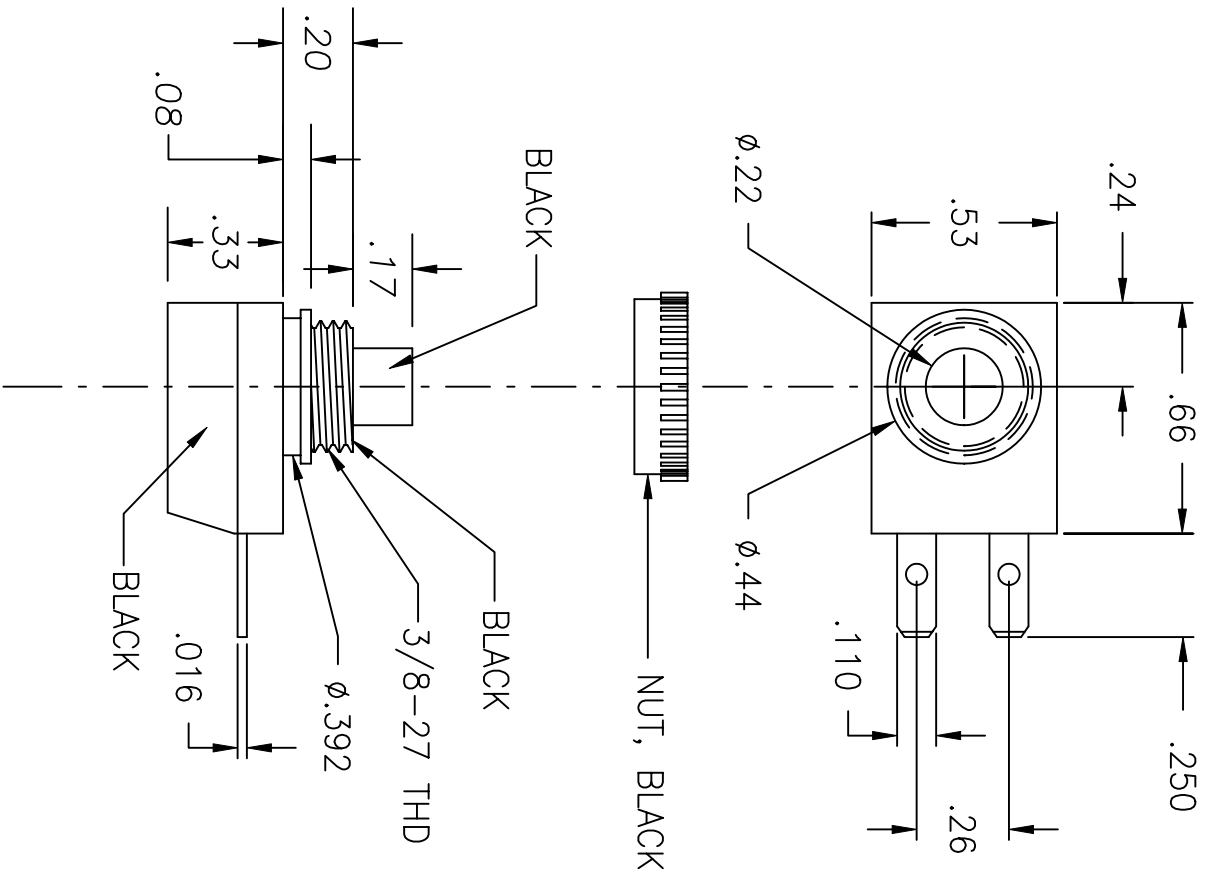


LTR	EN	DESCRIPTION	APPR	BY	DATE
A	-	INITIAL RELEASE	RB	DC	09-18-06
A1	-	ADDED ELECTRICAL RATING ON SWITCH DESCRIPTION.	RB	DC	11-06-06



JUDCO INVENTORY NO:40-4520-00
 SWITCH TYPE: PUSH ON-PUSH OFF, SPST
 ELECTRICAL RATING: 14 VDC, 10A, NON-UL
 NUTS ARE PACKED SEPARATELY.

CUSTOMER : DIGI-KEY
 CUSTOMER PN: TBD
 APPROVED BY: _____
 DATE: _____

This document embodies a product, component, and/or design proprietary to JUDCO MANUFACTURING INC., and which is protected either as a trade secret, by U.S. Patent, or by copyright. It may not be used in any way without written express consent of JUDCO MANUFACTURING INC.

DIMENSIONS IN INCHES DIMENSIONS ARE REFERENCE		 HARBOR CITY CALIFORNIA
DRAWN: DC	09-18-06	
APPR: KJ	11-06-06	TITLE: J-188B-1 STRAIGHT TERM DWG. NO.: 1415-1021 SHEET: 1 OF 1

X-ON Electronics

Largest Supplier of Electrical and Electronic Components

Click to view similar products for [judco manufacturer](#):

Other Similar products are found below :

[19-1082-00](#) [50-0063-00](#) [40-2531-01](#) [40-2502-01](#) [40-3658-01](#) [40-3573-02](#) [40-4911-00](#) [40-3355-01](#) [40-3536-00](#) [40-3438-02](#) [42-0711-00](#) [40-1880-02](#) [40-4743-00](#) [40-1673-01](#) [40-3429-00](#) [50-0089-00](#) [50-0041-00](#) [40-3657-00](#) [19-1103-00](#) [40-4818-00](#) [40-4744-00](#) [40-3352-02](#) [40-4819-00](#) [40-4675-00](#) [40-4816-00](#) [40-4314-00](#) [40-2386-00](#) [40-4520-00](#) [40-4394-00](#) [18-1017-00](#) [40-4677-00](#) [40-3145-01](#) [40-2390-00](#) [40-1672-02](#) [40-4526-00](#) [40-4313-00](#) [40-2385-01](#) [40-4463-01](#) [18-0112-02](#) [40-4325-00](#) [40-2388-01](#) [19-1088-00](#)