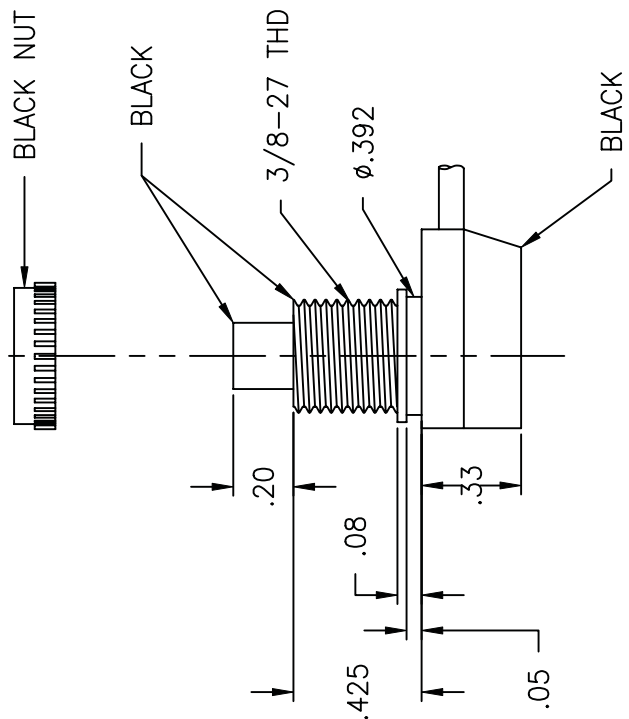
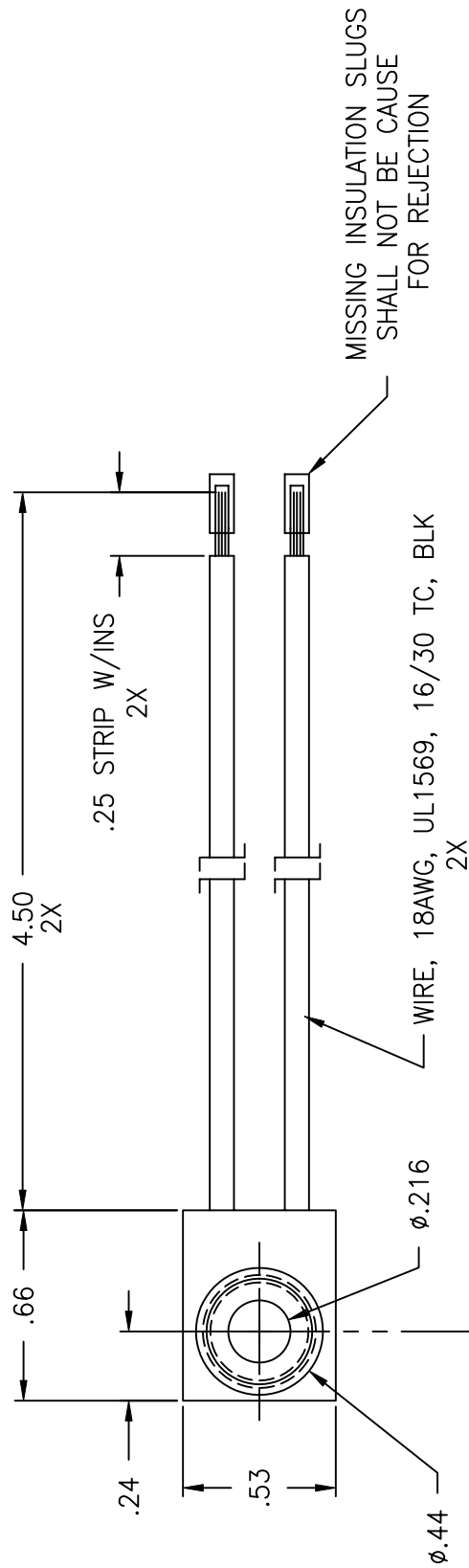


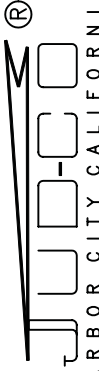
LTR	EN	DESCRIPTION	APPR	BY	DATE
A	-	INITIAL RELEASE	MT	DC	02-23-10



JUDCO INVENTORY NO. 40-4816-00
 SWITCH TYPE: PUSH ON - PUSH OFF, SPST
 GOLD OVER NICKEL PLATING ON COPPER
 TERMINALS AND CUPS.
 NUT INCLUDED

CUSTOMER:
 CUSTOMER P/N: _____
 APPROVED BY: _____
 DATE: _____

DIMENSIONS IN INCHES DIMENSIONS ARE REFERENCE	DRAWN: DC	02-23-10
	APPR: KJ	02-23-10
	ENG'G: IS	02-23-10
SHEET 1415U1547A.DWG		

	
HARBOR CITY CALIFORNIA	
TITLE	OUTLINE
DWG. NO.	J-188A-1 NON UL
	1415-1547
SHEET	1 OF 1

This document embodies a product, component, and/or design proprietary to JUDCO MANUFACTURING INC., and which is protected either as a trade secret, by U.S. Patent, or by copyright. It may not be used in any way without written express consent of JUDCO MANUFACTURING INC.

X-ON Electronics

Largest Supplier of Electrical and Electronic Components

Click to view similar products for [judco manufacturer](#):

Other Similar products are found below :

[19-1082-00](#) [50-0063-00](#) [40-2531-01](#) [40-2502-01](#) [40-3658-01](#) [40-3573-02](#) [40-4911-00](#) [40-3355-01](#) [40-3536-00](#) [40-3438-02](#) [42-0711-00](#) [40-1880-02](#) [40-4743-00](#) [40-1673-01](#) [40-3429-00](#) [50-0089-00](#) [50-0041-00](#) [40-3657-00](#) [19-1103-00](#) [40-4818-00](#) [40-4744-00](#) [40-3352-02](#) [40-4819-00](#) [40-4675-00](#) [40-4816-00](#) [40-4314-00](#) [40-2386-00](#) [40-4520-00](#) [40-4394-00](#) [18-1017-00](#) [40-4677-00](#) [40-3145-01](#) [40-2390-00](#) [40-1672-02](#) [40-4526-00](#) [40-4313-00](#) [40-2385-01](#) [40-4463-01](#) [18-0112-02](#) [40-4325-00](#) [40-2388-01](#) [19-1088-00](#)