

Delivery address: Mackenrodtstraße 14,
36039 Fulda, Germany
Postal address: 36035 Fulda, Germany
Phone: +49 661 60 03-0
Fax: +49 661 60 03-6 07
E-mail: mail@jumo.net
Internet: www.jumo.net

JUMO House
Temple Bank, Riverway
Harlow, Essex CM 20 2TT, UK
Phone: +44 12 79 63 55 33
Fax: +44 12 79 63 52 62
E-mail: sales@jumo.co.uk

885 Fox Chase, Suite 103
Coatesville PA 19320, USA
Phone: 610-380-8002
1-800-554-JUMO
Fax: 610-380-8009
E-mail: info@JumoUSA.com
Internet: www.JumoUSA.com



JUMO Room thermostats (1-pole) Type AMDR



Brief description

Type AMDR room thermostats are used in HVAC, in industrial and commercial premises, garden centers and stables for the control of heating / cooling, air-conditioning and ventilation systems.

Room thermostats in the AMDR series operate on the principle of liquid expansion. A temperature change in the liquid-filled sensing system, which consists of probe, capillary and diaphragm, produces a volume change. The resulting movement of the diaphragm operates a microswitch through a lever mechanism.

Switching action

TR and TW

If the temperature at the probe exceeds the set limit, the circuit is opened through a snap-action switch. If the temperature falls below the set limit (by the switching differential), the switch returns to its initial position.

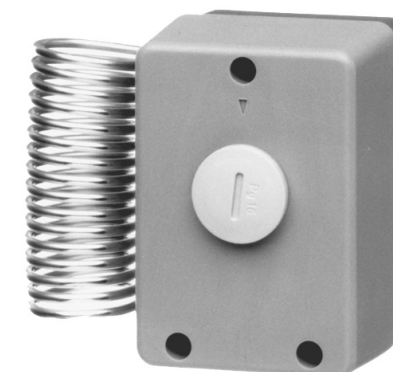
Types

AMDR-1 temperature controller TR
switching point externally adjustable

AMDR-2 temperature monitor TW
switching point adjustable after removing the blanking plug



AMDR-1



AMDR-2

Technical data

Electrical data

Switching element	1-pole microswitch with changeover contact
Max. rating	terminal 2: 16 (3) A, 230 V AC +10%, p.f. = 1 (0.6) terminal 4: 8 (1.5) A, 230 V AC +10%, p.f. = 1 (0.6) 0.25 A, 230 V DC +10% max. current surge: 16 A, p.f. = 0.6
Electrical connection	after removing case cover, at screw terminals up to 2.5mm ² conductor cross-section

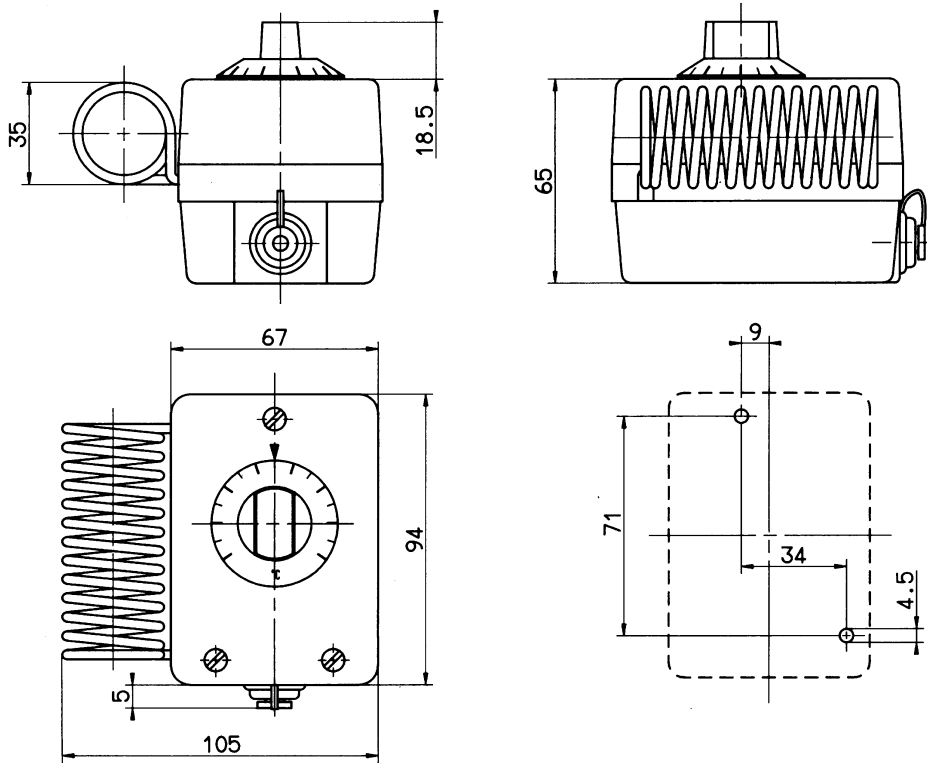
Operating data

Control ranges	0 to +50°C or -10 to +40°C
Switching point accuracy	±0.75°C at +20°C
Switching differential	1 – 2°C
Permissible ambient temp.	in operation: -20 to +60°C
Permissible storage temp.	-50 to +50°C
Nominal position (NL)	to DIN 16 257, NL 0 – NL 90 (other NL on request)

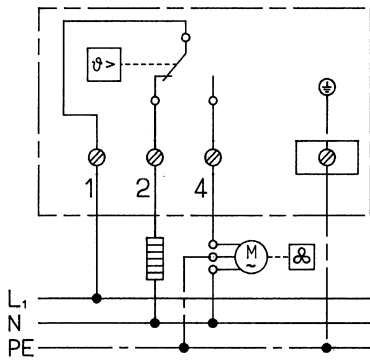
Case

Case	plastic case in impact-resistant polycarbonate color: cover gray beige, RAL 1019; base/setpoint knob light brown RAL 8025
Case fixing	by 2 screws on the inside of case
Cable entry	as standard: clamping gland M 20 x 1.5, for 8 – 10 mm cable diameter
Enclosure protection	EN 60 529-IP54
Temperature probe	coiled probe, tinned copper
Weight	approx. 0.35 kg

Dimensions



Connection diagram



Order details: AMDR series

Order code	(1)	(2)	Basic type (Basic version)
604046-01	AMDR-1		Temperature controller (TR), switching point set externally by rotary knob
604046-02	AMDR-2		Temperature monitor (TW), switching point set with screwdriver after removing the blanking plug
		(2)	Control / limit ranges
16			-10 to +40°C
21			0 to +50°C

Order code

(1)

(2)

/

Order example

604046-02 / 16 = temperature monitor (TW),
switching point set with screwdriver after removing the blanking plug, -10 to +40°C

X-ON Electronics

Largest Supplier of Electrical and Electronic Components

Click to view similar products for [jumo](#) manufacturer:

Other Similar products are found below :

[60/60000332](#)