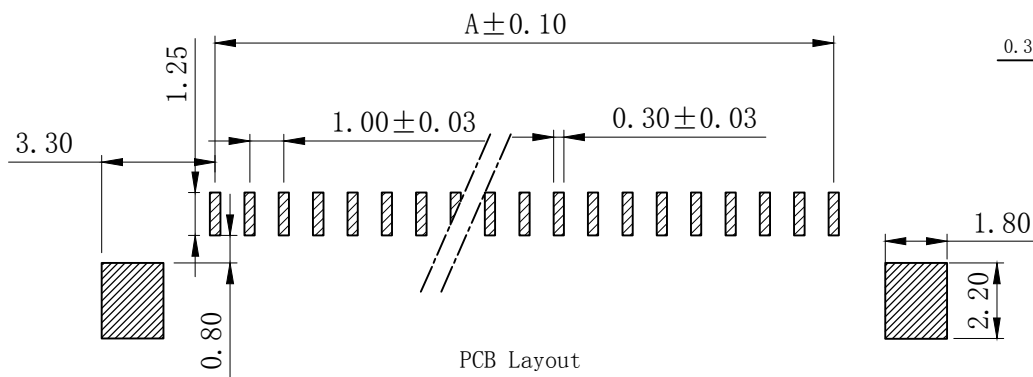
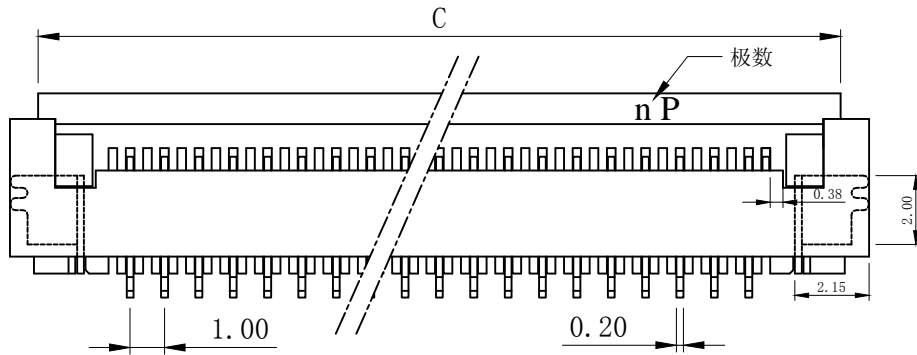
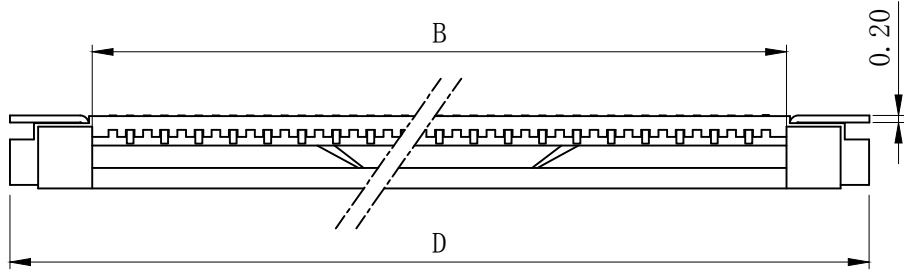
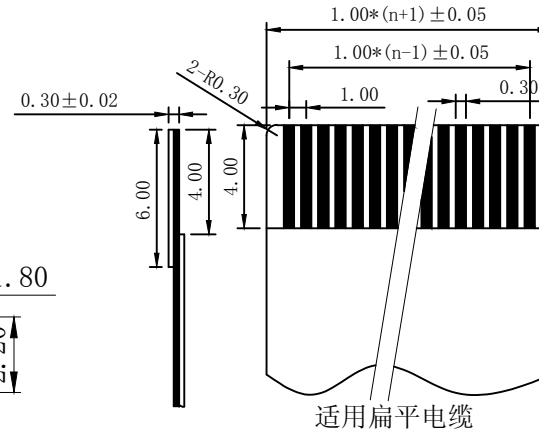
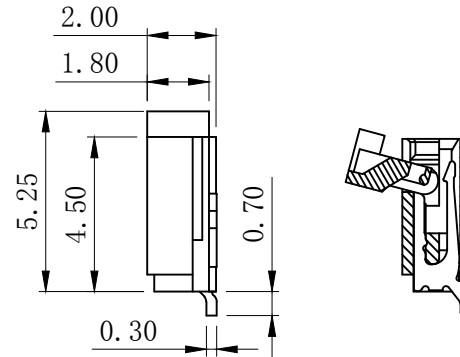


# PITCH 1.00mm FPC CONNECTOR SMT TYPE



性能:  
 额定电流: 0.4A  
 额定电压: 50V  
 耐电压: 200V  
 接触电阻:  $\leq 20m\Omega$   
 绝缘电阻: 500M $\Omega$   
 工作温度:  $-20^{\circ}C \sim +85^{\circ}C$   
 塑件(材质): LCP, UL94V-0  
 锁扣(材质): 锁扣材质为LCP  
 插簧(材质): 磷青铜, 镀锡/镀金  
 焊片(材质): 黄铜, 镀锡/镀金

注:  
 "▲"处尺寸为  
 4Pin~29Pin: 1.50mm;  
 30Pin~39Pin: 1.60mm;  
 40Pin~60Pin: 1.70mm;  
 "■"处尺寸为  
 4Pin~29Pin: 4.70mm;  
 30Pin~39Pin: 4.80mm;  
 40Pin~60Pin: 4.90mm;



| 孔位 | A     | B     | C     | D     |
|----|-------|-------|-------|-------|
| 4  | 3.00  | 5.20  | 8.50  | 9.90  |
| 5  | 4.00  | 6.20  | 9.50  | 10.90 |
| 6  | 5.00  | 7.20  | 10.50 | 11.90 |
| 7  | 6.00  | 8.20  | 11.50 | 12.90 |
| 8  | 7.00  | 9.20  | 12.50 | 13.90 |
| 9  | 8.00  | 10.20 | 13.50 | 14.90 |
| 10 | 9.00  | 11.20 | 14.50 | 15.90 |
| 11 | 10.00 | 12.20 | 15.50 | 16.90 |
| 12 | 11.00 | 13.20 | 16.50 | 17.90 |
| 13 | 12.00 | 14.20 | 17.50 | 18.90 |
| 14 | 13.00 | 15.20 | 18.50 | 19.90 |
| 15 | 14.00 | 16.20 | 19.50 | 20.90 |
| 16 | 15.00 | 17.20 | 20.50 | 21.90 |
| 17 | 16.00 | 18.20 | 21.50 | 22.90 |
| 18 | 17.00 | 19.20 | 22.50 | 23.90 |
| 19 | 18.00 | 20.20 | 23.50 | 24.90 |
| 20 | 19.00 | 21.20 | 24.50 | 25.90 |
| 21 | 20.00 | 22.20 | 25.50 | 26.90 |
| 22 | 21.00 | 23.20 | 26.50 | 27.90 |
| 23 | 22.00 | 24.20 | 27.50 | 28.90 |
| 24 | 23.00 | 25.20 | 28.50 | 29.90 |
| 25 | 24.00 | 26.20 | 29.50 | 30.90 |
| 26 | 25.00 | 27.20 | 30.50 | 31.90 |
| 27 | 26.00 | 28.20 | 31.50 | 32.90 |
| 28 | 27.00 | 29.20 | 32.50 | 33.90 |
| 29 | 28.00 | 30.20 | 33.50 | 34.90 |
| 30 | 29.00 | 31.20 | 34.50 | 35.90 |
| 31 | 30.00 | 32.20 | 35.50 | 36.90 |
| 32 | 31.00 | 33.20 | 36.50 | 37.90 |
| 33 | 32.00 | 34.20 | 37.50 | 38.90 |
| 34 | 33.00 | 35.20 | 38.50 | 39.90 |
| 35 | 34.00 | 36.20 | 39.50 | 40.90 |

|  |  |        |                |   |                   |
|--|--|--------|----------------|---|-------------------|
| X. ± 0.3<br>.X ± 0.25<br>.XX ± 0.20<br>.XXX ± 0.10 | X° ± 5°<br>.X° ± 2°<br>.XX° ± 1°<br>.XXX° ± 0.5° | UNITS  | mm             | NAME (INTENDED USE)<br>1.0mm FPC (D型) 下接板盖式 | 深圳市钜硕电子有限公司       |
|  |  | MAT'L  |                |   |                   |
|  |  | FINISH |                | APPD:                                       | DWG NO.:          |
|  |  | Q'TY   |                | CHKD:                                       | 100K11-DXB0000000 |
| RoHS   |  | DR:    | YLZ 2011.09.28 |   |                   |
|  |  | SCALE  | 1/1            | SHEET                                       | 1/1               |

## X-ON Electronics

Largest Supplier of Electrical and Electronic Components

*Click to view similar products for [FFC & FPC Connectors](#) category:*

*Click to view products by [JUSHUO](#) manufacturer:*

Other Similar products are found below :

[00-6200-227-022-800](#) [006205250500825+](#) [006205280500825+](#) [FPH-1422G](#) [FPH-1602G](#) [FPH-2022G](#) [52610-1075](#) [52610-1275](#) [52610-1934](#)  
[501864-3091-TR225](#) [086222026001800](#) [52610-0675](#) [62674-201121DLF](#) [62684-36210E9ALF](#) [52746-1671-TR250](#) [10051922-2810EHLF](#) [6-](#)  
[520415-9](#) [686322124422](#) [XF3M-2915-1B-R100](#) [AYF353125A](#) [AYF530665TA](#) [AYF534065TA](#) [AYF351525](#) [086212040340800+](#)  
[AYF530365TA](#) [67000-004LF](#) [006207341915000+](#) [207356-1](#) [67000-003LF](#) [HFW14R-2STE9LF](#) [SFW12R-5STE9LF](#) [SFW18R-1STAE9LF](#)  
[SFW4R-5STE9LF](#) [52807-0430](#) [046283021002868+](#) [502250-8027](#) [104267-9617](#) [66987-011LF](#) [HFW8S-2STAE1HLF](#) [67000-008LF](#)  
[HFW22R-2STE1H1LF](#) [0781271110](#) [5019511030](#) [200528-0260](#) [5039084120](#) [503908-5120](#) [SFW20R-1STGE5LF](#) [FH12-18S-0.5SH](#)  
[686116183522](#) [FH64MA-11S-0.25SHW](#)