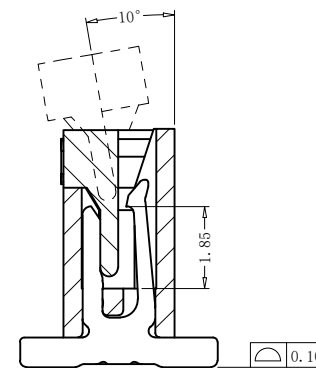
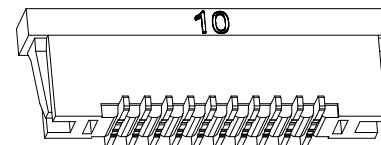
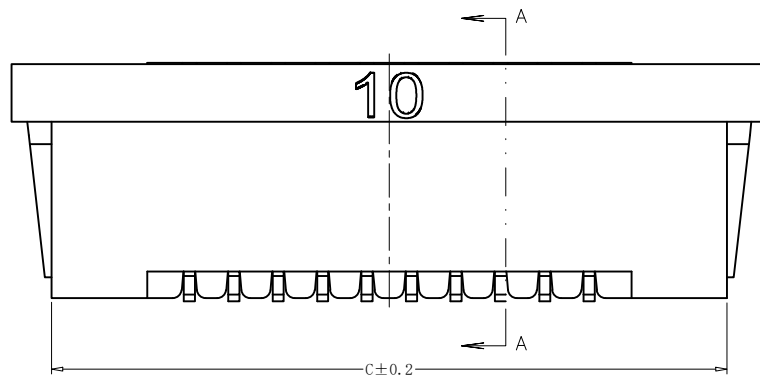
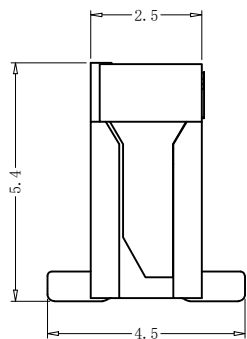
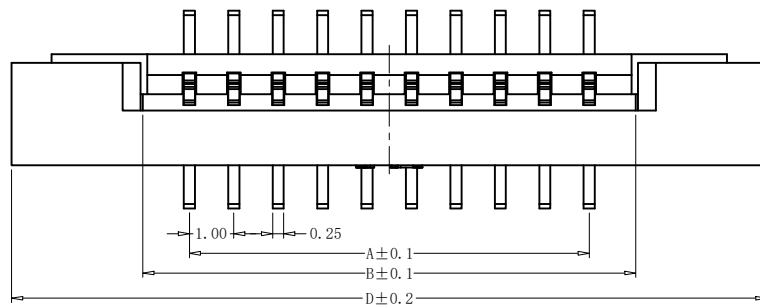
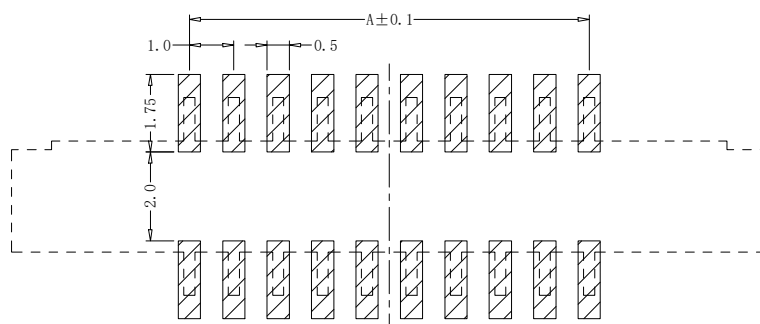


| REV. | ECN NO. | LOCAS. | DESCRIPTION | DATE | DESIGN |
|------|---------|--------|-------------|----------|--------|
| A | | | NEW DRAWING | 22.12.01 | Jenply |

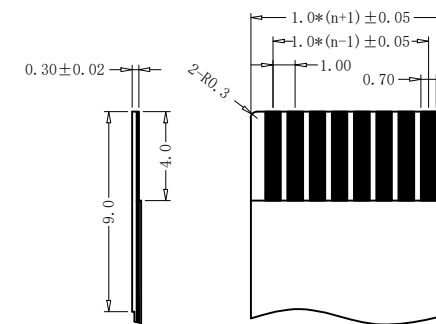


SECTION A-A

| 孔位 | A | B | C | D |
|----|----|-------|-------|-------|
| 6 | 5 | 7.15 | 11.20 | 13.10 |
| 8 | 7 | 9.15 | 13.20 | 15.10 |
| 10 | 9 | 11.15 | 15.20 | 17.10 |
| 12 | 11 | 13.15 | 17.20 | 19.10 |
| 14 | 13 | 15.15 | 19.20 | 21.10 |
| 15 | 14 | 16.15 | 20.20 | 22.10 |
| 16 | 15 | 17.15 | 21.20 | 23.10 |
| 18 | 17 | 19.15 | 23.20 | 25.10 |
| 20 | 19 | 21.15 | 25.20 | 27.10 |
| 22 | 21 | 23.15 | 27.20 | 29.10 |
| 24 | 23 | 25.15 | 29.20 | 31.10 |
| 25 | 24 | 26.15 | 30.20 | 32.10 |
| 26 | 25 | 27.15 | 31.20 | 33.10 |
| 28 | 27 | 29.15 | 33.20 | 35.10 |
| 29 | 28 | 30.15 | 34.20 | 36.10 |
| 30 | 29 | 31.15 | 35.20 | 37.10 |



PCB LAYOUT



PROPER CABLE (SCALE 2:1)

技术要求 (Technical Index):

1. 材质与表面处理 (Material And Finish):
 基座 (Housing) and 盖子 (Cover): LCP UL94V-0 Nature Or Black;
 端子 (Terminal): Phosphor Copper Au/Sn Plated;
 焊片 (Solder): Copper Alloy Au/Sn Plated;
2. 工作温度 (Temperature range): -25° C ~ +85° C.
3. 额定电压 (Rated voltage): 50V, AC/DC.
4. 额定电流: 0.5A, AC/DC.
5. 接触电阻 (Contact resistance): ≤20mΩ.
6. 绝缘电阻 (Insulation resistance): ≥800MΩ.
7. 耐电压 (Withstanding Voltage): 500V AC/minute.

| | | | | | |
|-----------|------------|--|-------|--------------------------|----------|
| DESIGN: | Jenply | 深圳市钜硕电子有限公司 SHENZHEN JUSHUO ELECTRONIC CO.,LTD | | | |
| CHECK: | Ke Tian | | | | |
| APPROVED: | Youquan Xu | TITLE: FPC 1.0mm 间距 抽拉式立贴 一字型 | | | |
| DIM | TOL | DIM | TOL | PART NO. AFA11-S**GTA-00 | |
| X. | ±0.25 | X° | ±3.0° | REV. A | |
| X.X | ±0.20 | X.X° | | SCALE: N/A | UNIT: mm |
| X.XX | ±0.15 | X.XX° | | SHEET: 1/1 | |
| X.XXX | | X.XXX° | | | |

X-ON Electronics

Largest Supplier of Electrical and Electronic Components

Click to view similar products for [FFC & FPC Connectors](#) category:

Click to view products by [JUSHUO](#) manufacturer:

Other Similar products are found below :

[00-6200-227-022-800](#) [006205250500825+](#) [006205280500825+](#) [FPH-1602G](#) [086222026001800](#) [52610-0675](#) [62674-201121DLF](#) [52746-1671-TR250](#) [10051922-1610EHLF](#) [10051922-2810EHLF](#) [686322124422](#) [XF3M-2915-1B-R100](#) [AYF353125A](#) [AYF530665TA](#) [AYF534065TA](#) [20FLH-RSM1-TB](#) [207356-1](#) [SFW12R-5STE9LF](#) [SFW18R-1STAE9LF](#) [SFW4R-5STE9LF](#) [52807-0430](#) [046283021002868+](#) [FFC05011-10SBB114W5M](#) [502250-8027](#) [67000-008LF](#) [200528-0260](#) [FH28K-10S-0.5SH](#) [FH52K-6S-0.5SH](#) [0.5K-DX-30PWB](#) [DS1020-08-10VBT12](#) [THD0515-34CL-GF](#) [X05A10L28G](#) [ECC2841061EU](#) [1.0K-DHQX-16PWB](#) [1.0K-DHQX-30PWB](#) [1775333-6](#) [10054365-202110ELF](#) [10054365-242110ELF](#) [10054365-282110ELF](#) [10064555-392220HLF](#) [59453-041110EBHLF](#) [59453-091110EDHLF](#) [62674-241141ALF](#) [62684-432100ALF](#) [62684-451100AHLF](#) [62684-5721N0ALF](#) [HFW11R-1STE1MTLF](#) [HFW12R-1STE9LF](#) [HFW14R-1STE9MTLF](#) [HFW18S-2STE9LF](#)