

SECTION A-A
SCALE 1:1

Note:

1. Material:
 - 1.1 Housing: thermoplastic high temp.UL94V-0; Color: natural.
 - 1.2 Latch: thermoplastic high temp.UL94V-0; Color: black.
 - 1.3 Terminal: copper alloy.
 - 1.4 Fitting Nail: copper alloy.

2. Finish:

- 2.1 Terminal:
 - Underplating: Au/matt Tin overall.
- 2.2 Fitting Nail:
 - Underplating: matt Tin overall.

3. Product must comply HF RoHS specification.

4. Product No:

AFA24-S ** F * * - **

CKTS _____

CONTACTS TYPE _____

F:Lower _____

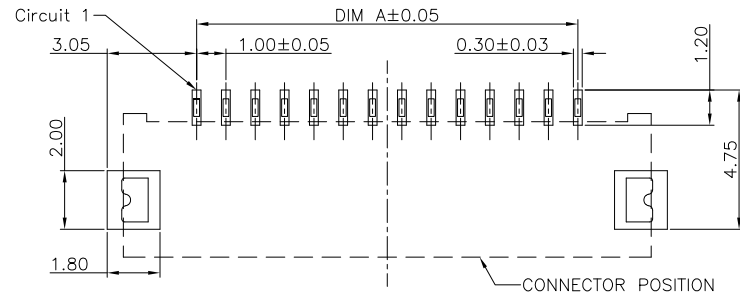
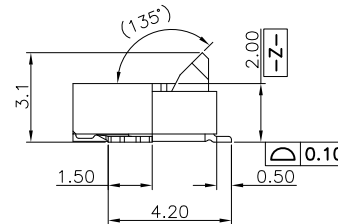
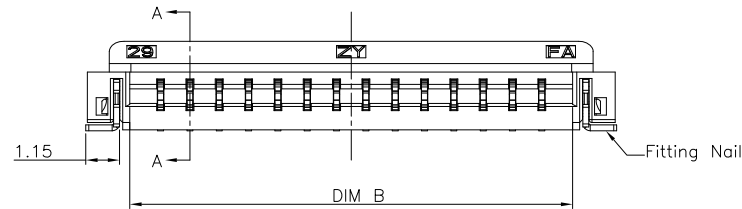
PLATING _____

1:Gold flash 1u"
2:Gold flash 2u"
3:Gold flash 3u"
B:Bright-Tin 90-120u"
C:Matt-Tin 90-120u"

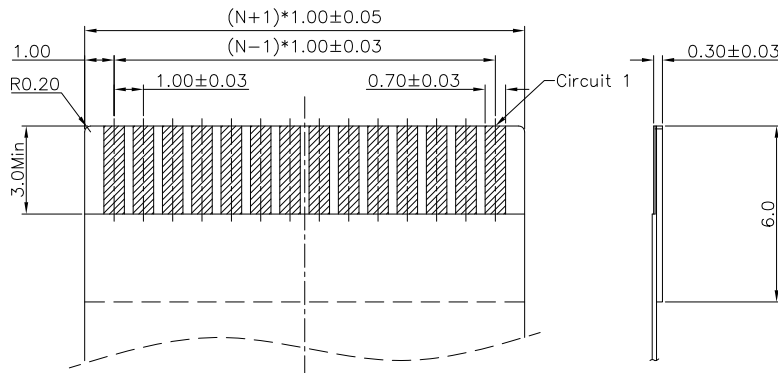
REMARKS
HF:Halogen free

PACKING
A:Tape&Reel
C:Tube

CKTS	DIM A	DIM B	DIM C	DIM D
4	3.00	5.10	8.00	8.10
5	4.00	6.10	9.00	9.10
6	5.00	7.10	10.00	10.10
7	6.00	8.10	11.00	11.10
8	7.00	9.10	12.00	12.10
9	8.00	10.10	13.00	13.10
10	9.00	11.10	14.00	14.10
11	10.00	12.10	15.00	15.10
12	11.00	13.10	16.00	16.10
13	12.00	14.10	17.00	17.10
14	13.00	15.10	18.00	18.10
15	14.00	16.10	19.00	19.10
16	15.00	17.10	20.00	20.10
17	16.00	18.10	21.00	21.10
18	17.00	19.10	22.00	22.10
19	18.00	20.10	23.00	23.10
20	19.00	21.10	24.00	24.10
21	20.00	22.10	25.00	25.10
22	21.00	23.10	26.00	26.10
23	22.00	24.10	27.00	27.10
24	23.00	25.10	28.00	28.10
25	24.00	26.10	29.00	29.10
26	25.00	27.10	30.00	30.10
27	26.00	28.10	31.00	31.10
28	27.00	29.10	32.00	32.10
29	28.00	30.10	33.00	33.10



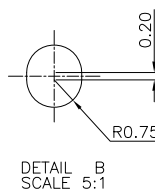
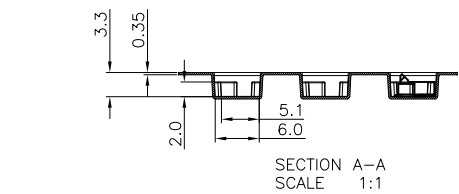
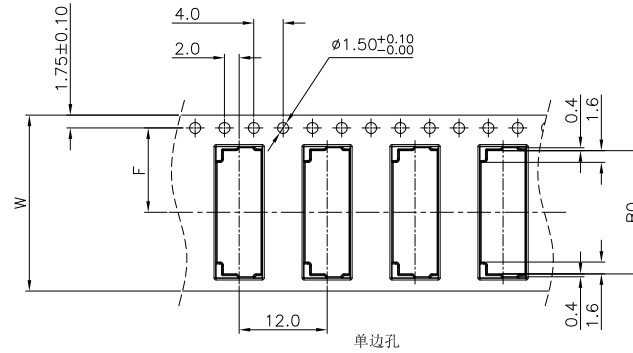
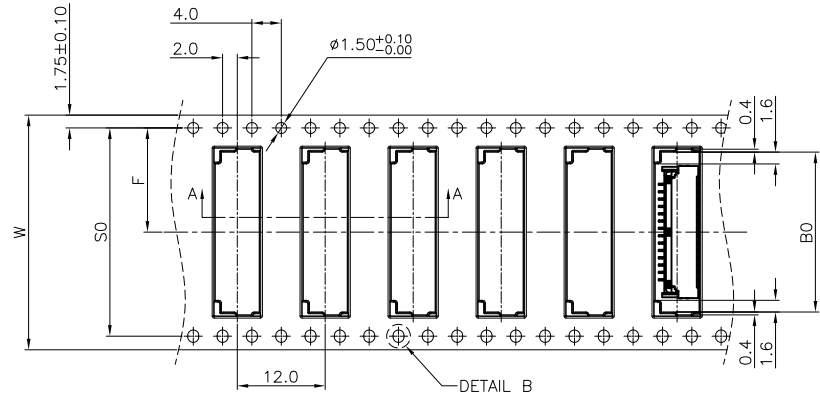
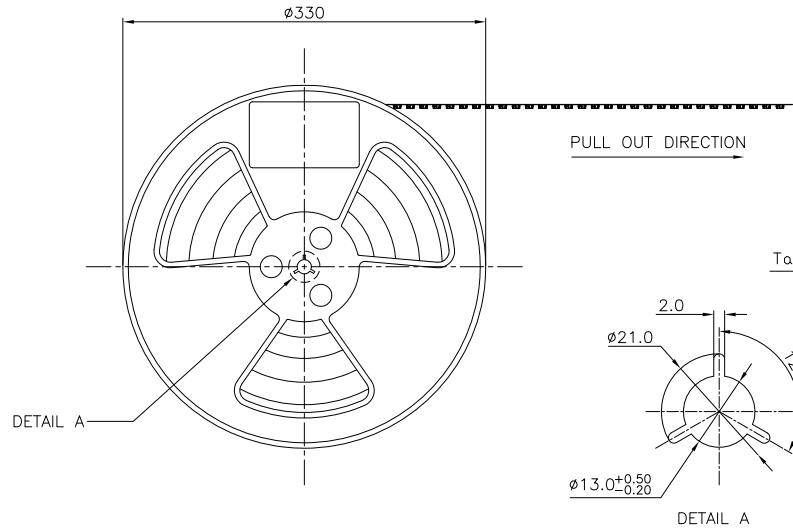
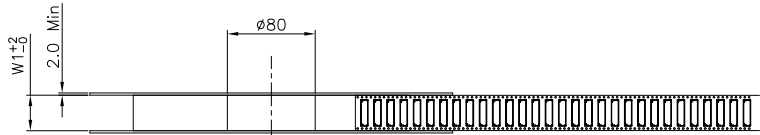
RECOMMENDED P.C.B. PATTERN LAYOUT



RECOMMENDED FPC/FFC DIMENSION

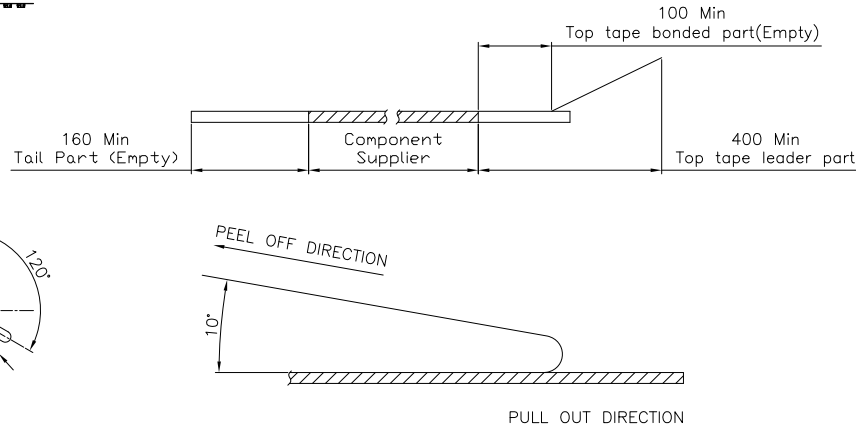
CUSTOMER DRAWING		深圳市钜硕电子有限公司 SHENZHEN JUSHUO ELECTRONIC CO.,LTD	
Tolerance Unspecified (未注公差)	Size(图幅): A4	Product Name(产品名称):	
0.0 ±0.15 0° ±5°	Unit(单位): MM	1.0Pitch H=2.0 FPC Back-Flip R/A Type1 SMT CONN	
0.00 ±0.10 0° ±3°	Scale(比例): 1:1	Product No(产品料号):	
0.000 ±0.05 0° ±1°	Page(页数): 1 OF 1	AFA24-S**F**-*	
Project View (投影视角)	Rev(版本): A	Designer(设计): 张孝雄	Checked(审核):
Rev 版本	初版发行	2018/07/25	张孝雄
Change Description 变更内容	Date 日期	Revisor 制/修订人	Approved(核准):

Rev 版本	Change Description 变更内容	Date 日期	Revisor 制/修订人
A	初版发行	2018/07/25	张孝雄



NOTES:

1. 10 SPROCKET HOLE PITCH CUMULATIVE TOLERANCE. ± 0.20 mm
2. CARRIER CAMBER NOT TO EXCEED 1mm IN 250mm.
3. ALL DIMENSIONS MEET EIA-481-C REQUIREMENTS.
4. MATERIAL: BLACK ANTI-STATIC POLYSTYRENE.
5. THICKNESS: 0.35 ± 0.05 mm.
6. PACKING LENGTH PER 13" REEL : 18.60 METERS.
7. COMPONENT LOAD PER 13" REEL : 1500PCS.
8. PEELING OFF FORCE OF TOP TAPE $0.1N \sim 0.7N$ ($10.2gf \sim 71.4gf$).



CKTS For 1.0Pitch Conn.	CKTS For 0.8Pitch Conn.	B0 ±0.10	W	W1	F	S0 ±0.10
4	5.80					
5	6.30					
6	6.80					
7	7.30					
8	7.80					
9	8.30					
10	8.80					
11	9.30					
12	9.80					
13	10.30					
14	10.80					
15	11.30					
16	11.80					
17	12.30					
18	12.80					
19	13.30					
20	13.80					
21	14.30					
22	14.80					
23	15.30					
24	15.80					
25	16.30					
26	16.80					
27	17.30					
28	17.80					
29	18.30					
30	18.80					
31	19.30					
32	19.80					
33	20.30					
34	20.80					
35	21.30					
36	21.80					
37	22.30					
38	22.80					
39	23.30					
40	23.80					
41	24.30					
42	24.80					
43	25.30					
44	25.80					
45	26.30					
46	26.80					
47	27.30					
48	27.80					
49	28.30					
50	28.80					
51	29.30					
52	29.80					
53	30.30					
54	30.80					
55	31.30					
56	31.80					
57	32.30					
58	32.80					
59	33.30					
60	33.80					
		16 ±0.3/-0	16.4	7.5 ±0.10		单边孔
		24 ±0.3/-0	24.4	11.5 ±0.10		
		32 ±0.30	32.4	14.2 ±0.10	28.4	
		44 ±0.30	44.4	20.2 ±0.15	40.4	
		56 ±0.30	56.4	26.2 ±0.15	52.4	

CLASSIFICATION DIMENSION (尺寸类别):
 FAT (首次检验): ⊗To ⊗
 ■ MARK IS MAJOR DIM (重点尺寸标示)
 ⊕ MARK IS CRITICAL DIM (Cpk&Cp标示)

Tolerance Unspecified (未注公差)	Size (图幅): A4
0.0 ±0.10 0° ±3°	Unit (单位): MM
0.00 ±0.05 0° 0 ±2°	Scale (比例): 1:1
0.000 ±0.02 0° 0.00 ±1°	Page (页数): 1 OF 1
Project View (投影视角)	Rev (版本): 1.0

深圳市钜硕电子有限公司
SHENZHEN JUSHUO ELECTRONIC CO., LTD

Product Name (产品名称): 0.5Pitch H=2.0 FPC 后压卧式SMT型. 载带

Product No (产品料号): AFA24-S***F***

Drawing No (图面编号): DNE00055-1

Date (日期): 2012/01/03

Designer (设计): Allan

Checked (审核):

Approved (核准):

1.0	初版发行	2012/01/03	Allan
Rev 版本	Change Description 变更内容	Date 日期	Revisor 制/修订人

X-ON Electronics

Largest Supplier of Electrical and Electronic Components

Click to view similar products for [FFC & FPC Connectors](#) category:

Click to view products by [JUSHUO](#) manufacturer:

Other Similar products are found below :

[00-6200-227-022-800](#) [006205250500825+](#) [006205280500825+](#) [FPH-1602G](#) [086222026001800](#) [52610-0675](#) [62674-201121DLF](#) [52746-1671-TR250](#) [10051922-1610EHLF](#) [10051922-2810EHLF](#) [686322124422](#) [XF3M-2915-1B-R100](#) [AYF353125A](#) [AYF530665TA](#) [AYF534065TA](#) [20FLH-RSM1-TB](#) [207356-1](#) [SFW12R-5STE9LF](#) [SFW18R-1STAE9LF](#) [SFW4R-5STE9LF](#) [52807-0430](#) [046283021002868+](#) [FFC05011-10SBB114W5M](#) [502250-8027](#) [67000-008LF](#) [200528-0260](#) [FH28K-10S-0.5SH](#) [FH52K-6S-0.5SH](#) [0.5K-DX-30PWB](#) [DS1020-08-10VBT12](#) [THD0515-34CL-GF](#) [X05A10L28G](#) [ECC2841061EU](#) [1.0K-DHQX-16PWB](#) [1.0K-DHQX-30PWB](#) [1775333-6](#) [10054365-202110ELF](#) [10054365-242110ELF](#) [10054365-282110ELF](#) [10064555-392220HLF](#) [59453-041110EBHLF](#) [59453-091110EDHLF](#) [62674-241141ALF](#) [62684-432100ALF](#) [62684-451100AHLF](#) [62684-5721N0ALF](#) [HFW11R-1STE1MTLF](#) [HFW12R-1STE9LF](#) [HFW14R-1STE9MTLF](#) [HFW18S-2STE9LF](#)