

- Note:**
- Material:**
 - Housing: thermoplastic high temp.UL94V-0; Color: Black.
 - Terminal: copper alloy.
 - Fitting Nail: copper alloy.
 - Finish:**
 - Terminal: Underplating: Au/matt Tin overall.
 - Fitting Nail: Underplating: matt Tin overall.
 - Product must comply HF RoHS specification.

4. Product No:
 AFA31-S ** E * A - **

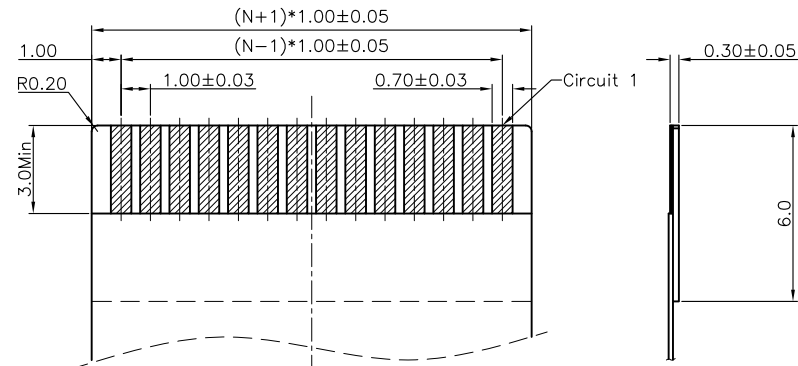
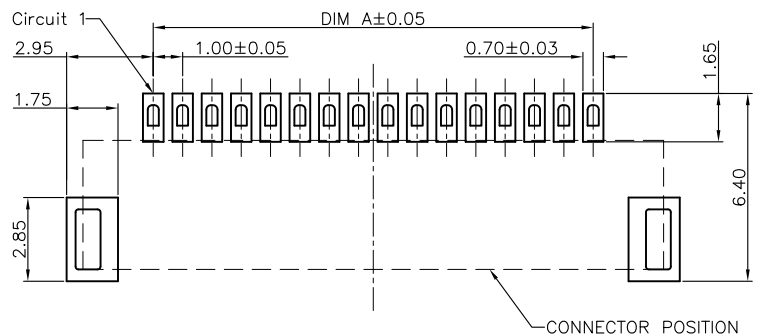
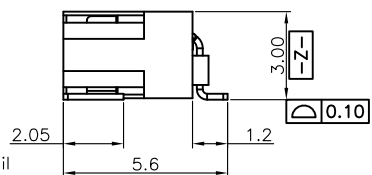
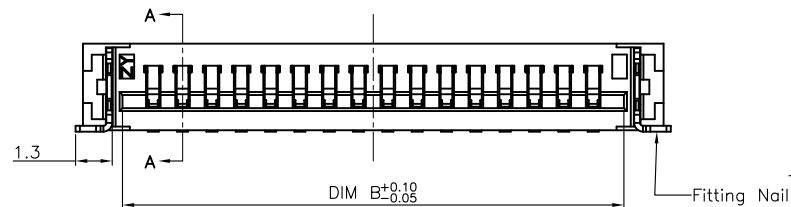
CONTACTS TYPE

PLATING
 1:Gold flash 1u"
 2:Gold flash 2u"
 3:Gold flash 3u"

REMARKS
 HF:Halogen free
 HP:For HP spec

PACKING
 A:Tape&Reel
 C:Tube

CKTS	DIM A	DIM B	DIM C	DIM D
4	3.00	5.10	7.80	8.30
5	4.00	6.10	8.80	9.30
6	5.00	7.10	9.80	10.30
7	6.00	8.10	10.80	11.30
8	7.00	9.10	11.80	12.30
9	8.00	10.10	12.80	13.30
10	9.00	11.10	13.80	14.30
11	10.00	12.10	14.80	15.30
12	11.00	13.10	15.80	16.30
13	12.00	14.10	16.80	17.30
14	13.00	15.10	17.80	18.30
15	14.00	16.10	18.80	19.30
16	15.00	17.10	19.80	20.30
17	16.00	18.10	20.80	21.30
18	17.00	19.10	21.80	22.30
19	18.00	20.10	22.80	23.30
20	19.00	21.10	23.80	24.30
21	20.00	22.10	24.80	25.30
22	21.00	23.10	25.80	26.30
23	22.00	24.10	26.80	27.30
24	23.00	25.10	27.80	28.30
25	24.00	26.10	28.80	29.30
26	25.00	27.10	29.80	30.30
27	26.00	28.10	30.80	31.30
28	27.00	29.10	31.80	32.30
29	28.00	30.10	32.80	33.30
30	29.00	31.10	33.80	34.30



RECOMMENDED P.C.B PATTERN LAYOUT

RECOMMENDED FPC/FFC DIMENSION

Rev	Version	Change Description	Date	Revisor
B		Change the GAP 0.05 ± 0.05mm	2015/12/03	Allan
A		Original Issue	2013/10/03	Allan
Rev	版本	变更内容	日期	制订/修订人

CUSTOMER DRAWING

Tolerance Unspecified (未注公差): 0.0 ±0.15 0° ±5° 0.00 ±0.10 0° ±3° 0.000 ±0.05 0° ±1°

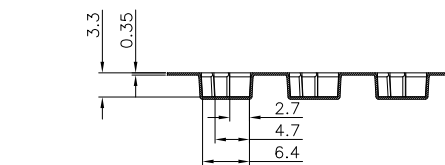
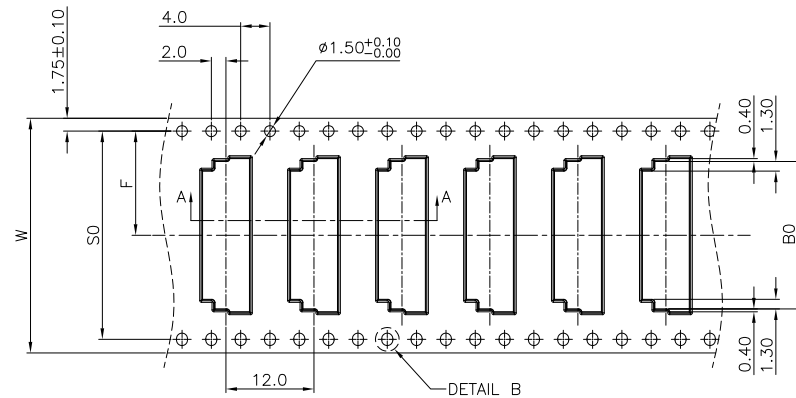
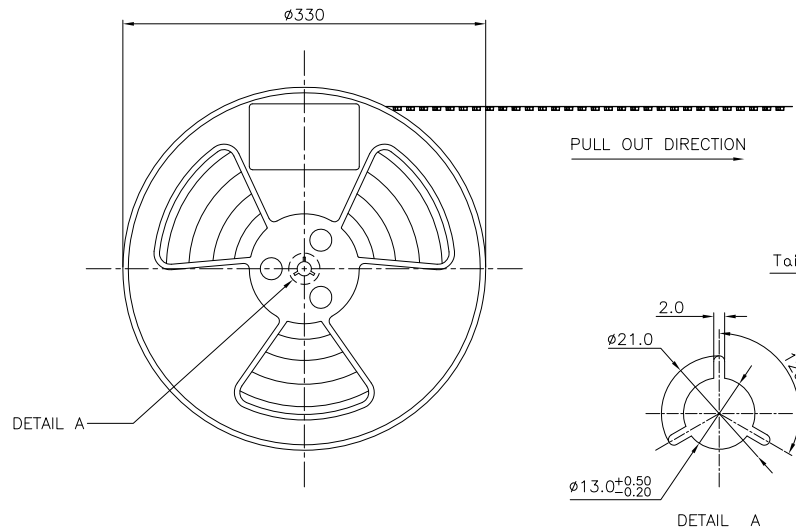
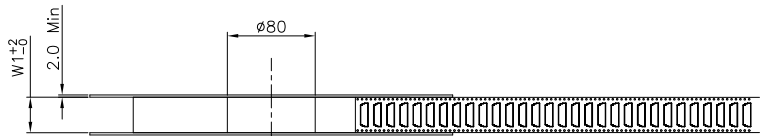
Size (图幅): A4
 Unit (单位): MM
 Scale (比例): 1:1

Project View (投影视角): 1 OF 1
 Rev (版本): B

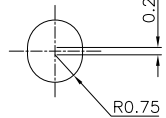
深圳市钜硕电子有限公司
SHENZHEN JUSHU ELECTRONIC CO.,LTD

Product Name (产品名称): 1.0Pitch H=3.0 FPC Non-ZIF R/A TypeE Upper SMT CONN
 Product No (产品料号): AFA31-S**E**

Designer (设计): Allan 10/07/13
 Checked (审核):
 Approved (核准):



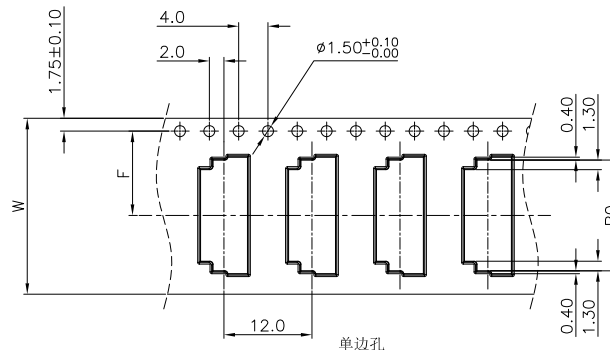
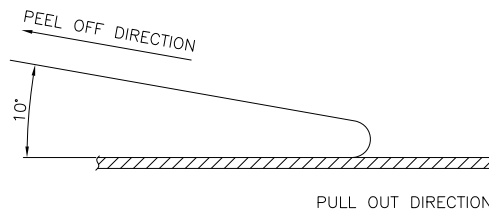
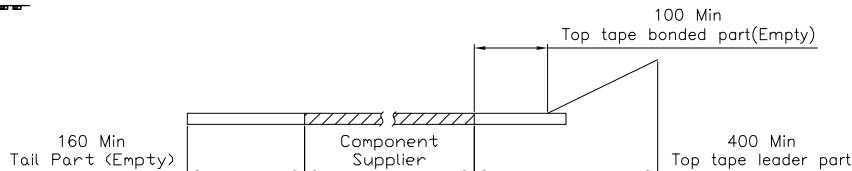
SECTION A-A
SCALE 1:1



DETAIL B
SCALE 5:1

NOTES:

1. 10 SPROCKET HOLE PITCH CUMULATIVE TOLERANCE.±0.20mm
2. CARRIER CAMBER NOT TO EXCEED 1mm IN 250mm.
3. ALL DIMENSIONS MEET EIA-481-C REQUIREMENTS.
4. MATERIAL: BLACK ANTI-STATIC POLYSTYRENE.
5. THICKNESS: 0.50 ± 0.05 mm.
6. PACKING LENGTH PER 13" REEL : 18.60METRES.
7. COMPONENT LOAD PER 13" REEL : 1500PCS.
8. PEELING OFF FORCE OF TOP TAPE 0.1N~0.7N(10.2gf~71.4gf).



CKTS	B0±0.10	W	W1	F	S0±0.10
4	8.10	24±0.3/-0	24.4	11.5±0.10	单边孔
5	9.10				
6	10.10				
7	11.10				
8	12.10				
9	13.10				
10	14.10				
11	15.10				
12	16.10				
13	17.10				
14	18.10	32±0.30	32.4	14.2±0.10	28.4
15	19.10				
16	20.10				
17	21.10				
18	22.10				
19	23.10				
20	24.10				
21	25.10				
22	26.10				
23	27.10	44±0.30	44.4	20.2±0.15	40.4
24	28.10				
25	29.10				
26	30.10				
27	31.10				
28	32.10				
29	33.10				
30	34.10	56±0.30	56.4	26.2±0.15	52.4

CLASSIFICATION DIMENSION (尺寸类别):
 FAT (首次检验): ⊕To ⊕
 ■ MARK IS MAJOR DIM (重点尺寸标示)
 ⊗ MARK IS CRITICAL DIM (Cpk&Cp标示)

Tolerance Unspecified (未注公差)	Size (图幅): A4
0.0 ±0.10 0° ±3°	Unit (单位): MM
0.00 ±0.05 0° 0 ±2°	Scale (比例): 1:1
0.000 ±0.02 0° 00 ±1°	Page (页数): 1 OF 1
Project View (投影视角): 第三角	Rev (版本): 1.0

深圳市钜硕电子有限公司
SHENZHEN JUSHUO ELECTRONIC CO., LTD

Product Name (产品名称): 1.0Pitch H=3.0 FPC 无盖卧式E型SMT型, 载带		
Product No (产品料号): AFA31-S**E**-**		
Drawing No (图面编号): DNE00073-1	Date (日期): 2013/11/23	
Designer (设计): Allan	Checked (审核):	Approved (核准):

1.0	初版发行	2013/11/23	Allan
Rev 版本	Change Description 变更内容	Date 日期	Revisor 制/修订人

X-ON Electronics

Largest Supplier of Electrical and Electronic Components

Click to view similar products for [FFC & FPC Connectors](#) category:

Click to view products by [JUSHUO](#) manufacturer:

Other Similar products are found below :

[00-6200-227-022-800](#) [006205250500825+](#) [006205280500825+](#) [FPH-1602G](#) [086222026001800](#) [52610-0675](#) [62674-201121DLF](#) [52746-1671-TR250](#) [10051922-1610EHLF](#) [10051922-2810EHLF](#) [686322124422](#) [XF3M-2915-1B-R100](#) [AYF353125A](#) [AYF530665TA](#) [AYF534065TA](#) [20FLH-RSM1-TB](#) [207356-1](#) [SFW12R-5STE9LF](#) [SFW18R-1STAE9LF](#) [SFW4R-5STE9LF](#) [52807-0430](#) [046283021002868+](#) [FFC05011-10SBB114W5M](#) [502250-8027](#) [67000-008LF](#) [200528-0260](#) [FH28K-10S-0.5SH](#) [FH52K-6S-0.5SH](#) [0.5K-DX-30PWB](#) [DS1020-08-10VBT12](#) [THD0515-34CL-GF](#) [X05A10L28G](#) [ECC2841061EU](#) [1.0K-DHQX-16PWB](#) [1.0K-DHQX-30PWB](#) [1775333-6](#) [10054365-202110ELF](#) [10054365-242110ELF](#) [10054365-282110ELF](#) [10064555-392220HLF](#) [59453-041110EBHLF](#) [59453-091110EDHLF](#) [62674-241141ALF](#) [62684-432100ALF](#) [62684-451100AHLF](#) [62684-5721N0ALF](#) [HFW11R-1STE1MTLF](#) [HFW12R-1STE9LF](#) [HFW14R-1STE9MTLF](#) [HFW18S-2STE9LF](#)