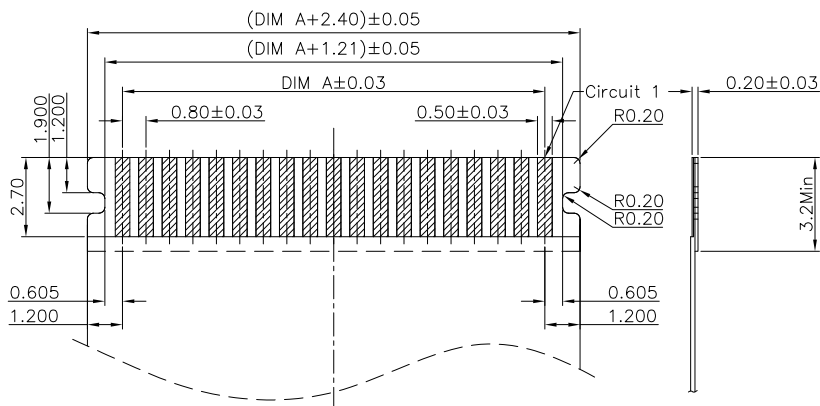
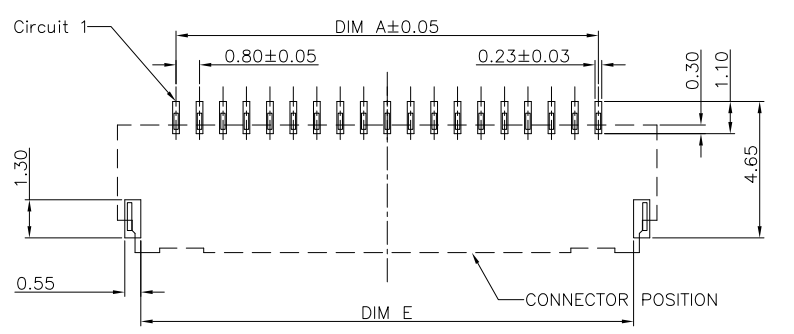
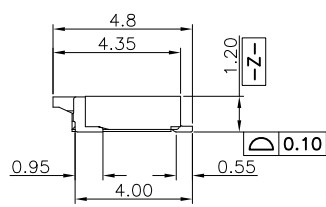
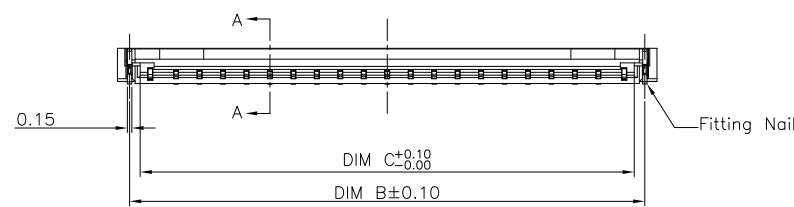


- Note:
- Material:
    - Housing: thermoplastic high temp.UL94V-0; Color: black.
    - Latch: thermoplastic high temp.UL94V-0; Color: natural.
    - Terminal: copper alloy.
    - Fitting Nail: copper alloy.
  - Finish:
    - Terminal:
      - Contact area: 40u"Min Nickel Under plating overall; 1:Gold flsh plating C:90u"Min matte tin plating overall
      - Solder area: 40u"Min Nickel Under plating overall; 1:Gold flsh plating C:90u"Min matte tin plating overall
    - Fitting Nail:
      - 40u"Min Nickel Under plating overall; 90u"Min matte tin plating overall
  - Product must comply HF RoHS specification.

4. Product No:  
 AFB02-S  
 CKTS \*\* F \* \* - \*\*  
 CONTACTS TYPE F:Lower  
 PLATING 1:Gold flash C:Matte-Tin 90-120u"  
 PACKING A:Tape&Reel C:Tube  
 REMARKS HF:Halogen free

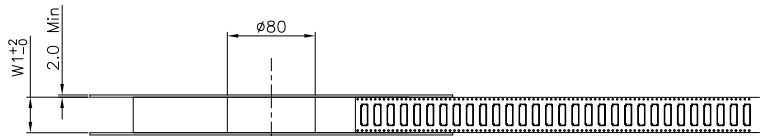
CKTS	DIM A	DIM B	DIM C	DIM D	DIM E
4	2.40	5.57	4.85	6.40	4.80
5	3.20	6.37	5.65	7.20	5.60
6	4.00	7.17	6.45	8.00	6.40
7	4.80	7.97	7.25	8.80	7.20
8	5.60	8.77	8.05	9.60	8.00
9	6.40	9.57	8.85	10.40	8.80
10	7.20	10.37	9.65	11.20	9.60
11	8.00	11.17	10.45	12.00	10.40
12	8.80	11.97	11.25	12.80	11.20
13	9.60	12.77	12.05	13.60	12.00
14	10.40	13.57	12.85	14.40	12.80
15	11.20	14.37	13.65	15.20	13.60
16	12.00	15.17	14.45	16.00	14.40
17	12.80	15.97	15.25	16.80	15.20
18	13.60	16.77	16.05	17.60	16.00
19	14.40	17.57	16.85	18.40	16.80
20	15.20	18.37	17.65	19.20	17.60
21	16.00	19.17	18.45	20.00	18.40
22	16.80	19.97	19.25	20.80	19.20
23	17.60	20.77	20.05	21.60	20.00
24	18.40	21.57	20.85	22.40	20.80
25	19.20	22.37	21.65	23.20	21.60
26	20.00	23.17	22.45	24.00	22.40
27	20.80	23.97	23.25	24.80	23.20
28	21.60	24.77	24.05	25.60	24.00
29	22.40	25.57	24.85	26.40	24.80
30	23.20	26.37	25.65	27.20	25.60
31	24.00	27.17	26.45	28.00	26.40
32	24.80	27.97	27.25	28.80	27.20



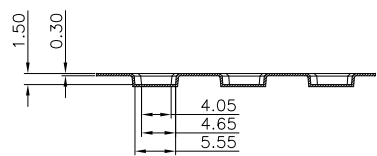
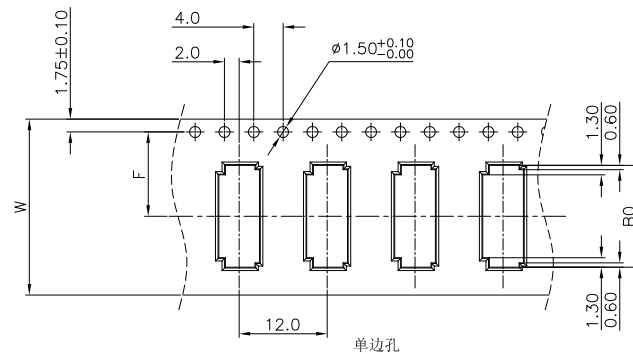
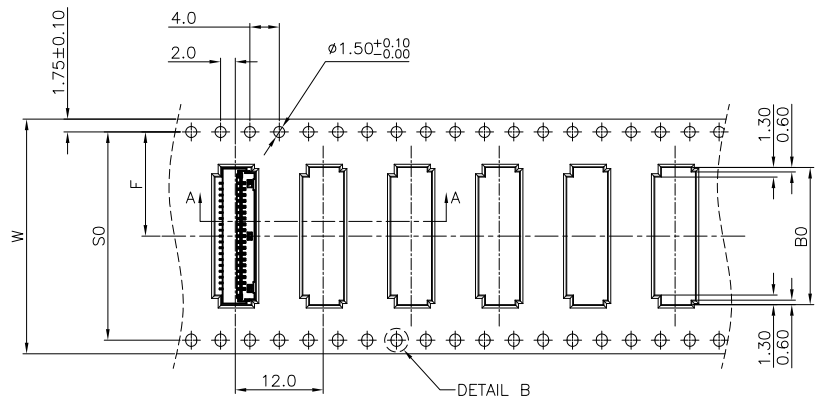
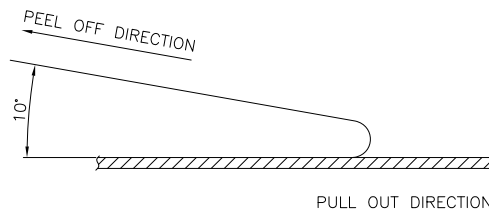
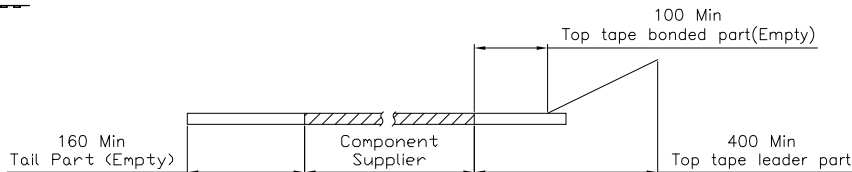
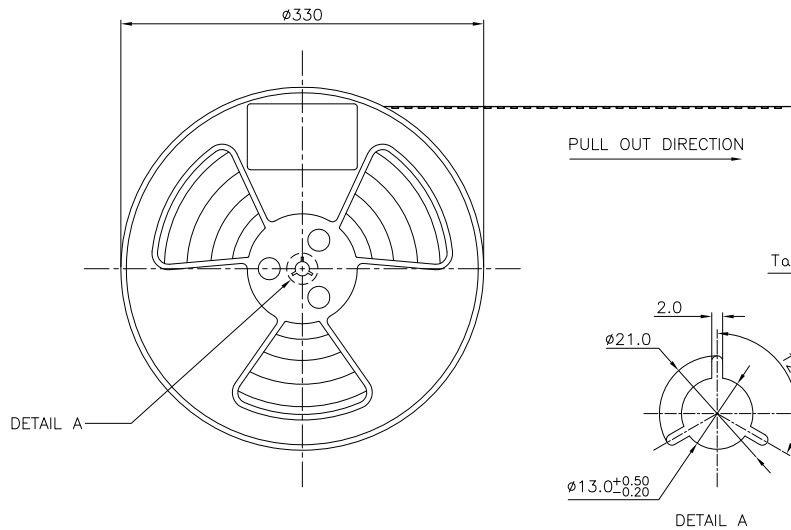
RECOMMENDED P.C.B. PATTERN LAYOUT

RECOMMENDED FPC/FFC DIMENSION

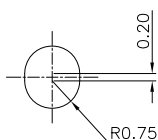
CUSTOMER DRAWING		<b>深圳市钜硕电子有限公司</b> <b>SHENZHEN JUSHUO ELECTRONIC CO.,LTD</b>		
Tolerance Unspecified (未注公差)	Size (图幅): A4	Product Name (产品名称):		
0.0 ±0.15 0° ±5°	Unit (单位): MM	0.8Pitch H=1.2 FPC Easy-on R/A Type2 SMT CONN		
0.00 ±0.10 0° 0° ±3°	Scale (比例): 1:1	Product No (产品料号):		
0.000 ±0.05 0° 0.00 ±1°	Project View (投影视角): 1 OF 1	AFB02-S**F**-*		
Rev 版本	Change Description 变更内容	Date 日期	Revisor 制/修订人	Designer (设计): Allan
A	初版发行	2017/05/09	Allan	Checked (审核): Allan
				Approved (核准): Chu.



- NOTES:
1. 10 SPROCKET HOLE PITCH CUMULATIVE TOLERANCE.±0.20mm
  2. CARRIER CAMBER NOT TO EXCEED 1mm IN 250mm.
  3. ALL DIMENSIONS MEET EIA-481-D REQUIREMENTS.
  4. MATERIAL: BLACK ANTI-STATIC POLYSTYRENE.
  5. THICKNESS: 0.30 ± 0.05 mm.
  6. PACKING LENGTH PER 13" REEL : 36.60METERS.
  7. COMPONENT LOAD PER 13" REEL : 3000PCS.
  8. PEELING OFF FORCE OF TOP TAPE 0.1N~0.7N(10.2gf~71.4gf).



SECTION A-A  
SCALE 1:1



DETAIL B  
SCALE 5:1

CKTS	B0±0.10	W	W1	F	S0±0.10
4	6.70	16+0.3/-0	16.4	7.5±0.10	单边孔
5	7.50	24+0.3/-0	24.4	11.5±0.10	
6	8.30				
7	9.10				
8	9.90				
9	10.70				
10	11.50				
11	12.30				
12	13.10				32±0.30
13	13.90				
14	14.70				
15	15.50				
16	16.30				
17	17.10				
18	17.90				
19	18.70	44±0.30	44.4	20.2±0.15	
20	19.50				
21	20.30				
22	21.10				
23	21.90				
24	22.70				
25	23.50				
26	24.30				
27	25.10	单边孔			
28	25.90				
29	26.70				
30	27.50				
31	28.30				
32	29.10				

CLASSIFICATION DIMENSION (尺寸类别):  
 FAT (首次检验): ☉ To ☉  
 ■ MARK IS MAJOR DIM (重点尺寸标示)  
 \*☉ MARK IS CRITICAL DIM (Cpk&Cp标示)

Tolerance Unspecified (未注公差)	Size (图幅): A4
0.0 ±0.10 0° ±3°	Unit (单位): MM
0.00 ±0.05 0° 0° ±2°	Scale (比例): 1:1
0.000 ±0.02 0° 0° ±1°	Page (页数): 1 OF 1
Project View (投影视角):	Rev (版本): 1.0

**深圳市钜硕电子有限公司**  
**SHENZHEN JUSHUO ELECTRONIC CO., LTD**

Product Name (产品名称): 0.8Pitch H=1.2 FPC 掀盖卧式2代SMT型. 载带		
Product No (产品料号): AFB02-S**F***		
Drawing No (图面编号): DNE00***-1	Date (日期): 2017/02/21	
Designer (设计): Allan	Checked (审核):	Approved (核准):

1.0	初版发行	2017/02/21	Allan
Rev 版本	Change Description 变更内容	Date 日期	Revisor 制/修订人



## X-ON Electronics

Largest Supplier of Electrical and Electronic Components

*Click to view similar products for [FFC & FPC Connectors](#) category:*

*Click to view products by [JUSHUO](#) manufacturer:*

Other Similar products are found below :

[00-6200-227-022-800](#) [006205250500825+](#) [006205280500825+](#) [FPH-1602G](#) [FPH-2022G](#) [52610-1275](#) [501864-3091-TR225](#)  
[086222026001800](#) [52610-0675](#) [62674-201121DLF](#) [62684-36210E9ALF](#) [52746-1671-TR250](#) [10051922-2810EHLF](#) [686322124422](#) [XF3M-](#)  
[2915-1B-R100](#) [AYF353125A](#) [AYF530665TA](#) [AYF534065TA](#) [AYF351525](#) [086212040340800+](#) [AYF530365TA](#) [67000-004LF](#)  
[006207341915000+](#) [207356-1](#) [67000-003LF](#) [HFW14R-2STE9LF](#) [SFW12R-5STE9LF](#) [SFW18R-1STAE9LF](#) [SFW4R-5STE9LF](#) [52807-0430](#)  
[046283021002868+](#) [502250-8027](#) [104267-9617](#) [66987-011LF](#) [HFW8S-2STAE1HLF](#) [67000-008LF](#) [HFW22R-2STE1H1LF](#) [0781271110](#)  
[5019511030](#) [200528-0260](#) [5039084120](#) [503908-5120](#) [SFW20R-1STGE5LF](#) [FH12-18S-0.5SH](#) [686116183522](#) [FH64MA-11S-0.25SHW](#)  
[686114183522](#) [502078-5362](#) [FH52K-68S-0.5SH](#) [FH26W-23S-0.3SHW\(60\)](#)