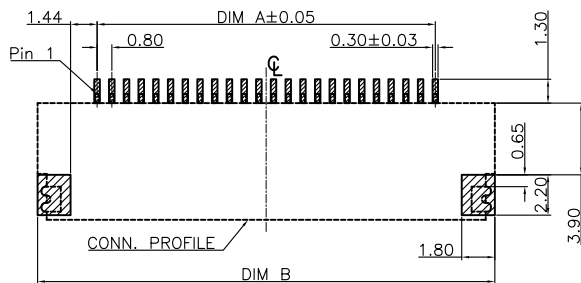
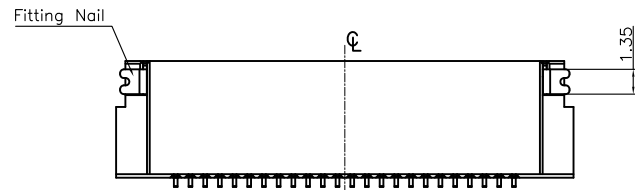
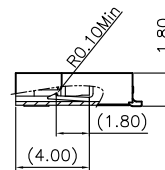
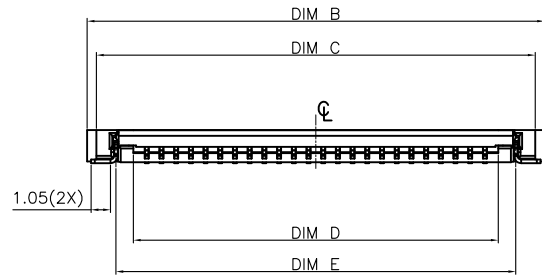


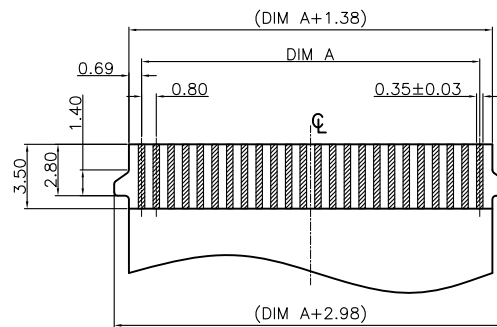
Notes:

1. Material:
 - 1.1 Housing: thermoplastic high temp. UL94V-0; Color: Natural.
 - 1.2 Actuator: thermoplastic high temp. UL94V-0; Color: black.
 - 1.3 Terminal: copper alloy.
 - 1.4 Fitting Nail: copper alloy.
2. Finish:
 - 2.1 Terminal: 50u" Min. Nickel underplated overall. I:Gold flash on Contact area and solder area
 - 2.2 Fitting Nail: 50u" Min. Nickel underplated overall. 80~150u" Min. Matte Tin plated.
3. Product must comply HF RoHS specification.
4. Product No:

AFB04-S	**	F	*	* - **	
CKTS					
CONTACTS TYPE					HF:Halogen free
F:Lower					
PLATING					PACKING
I: Gold flash					A:Tape&Reel
					C:Tube



RECOMMENDED PCB LAYOUT
GENERAL TOLERANCE ±0.05

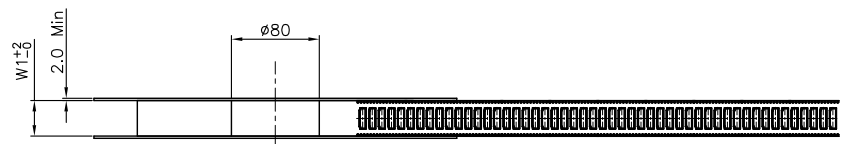


RECOMMENDED FPC/FFC DIMENSIONS
GENERAL TOLERANCE ±0.03

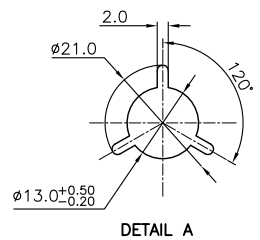
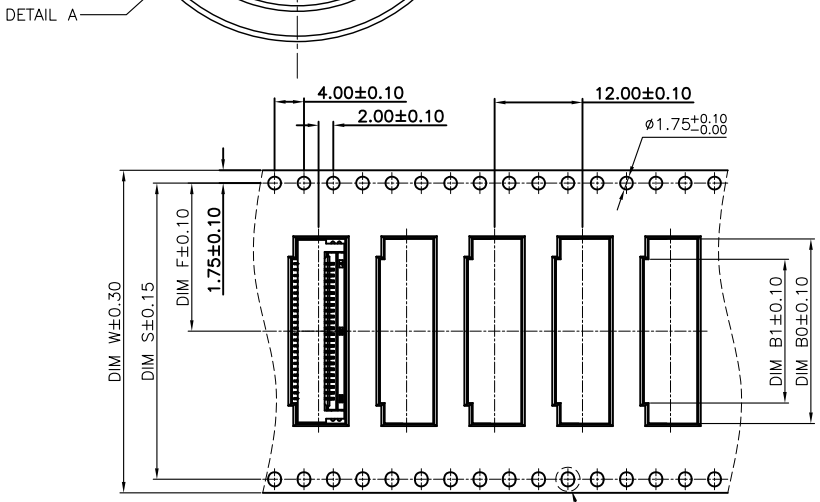
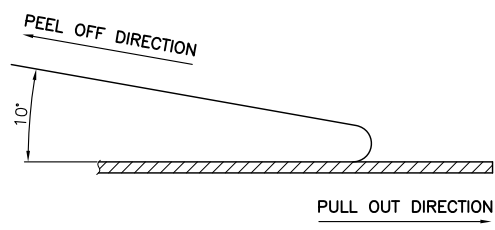
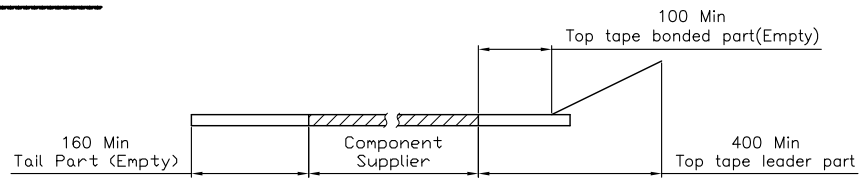
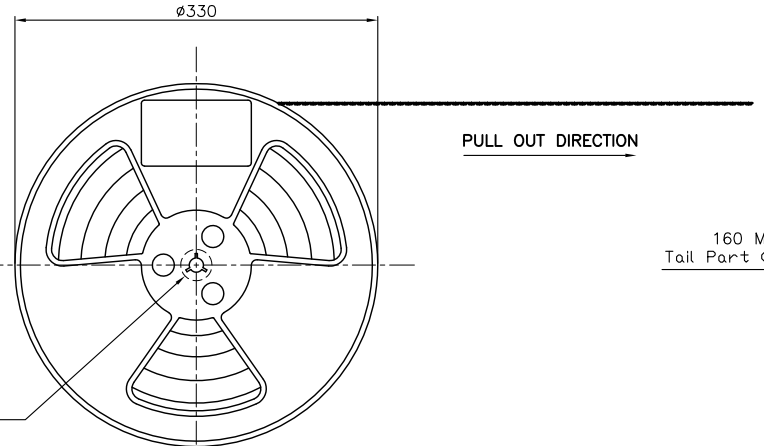
CKT	DIM A	DIM B	DIM C	DIM D	DIM E
24	18.40	24.88	23.88	19.85	21.75

CUSTOMER DRAWING		深圳市钜硕电子有限公司 SHENZHEN JUSHUO ELECTRONIC CO.,LTD			
Tolerance Unspecified (未注公差)	Size(图幅): A4	Product Name(产品名称): 0.8Pitch H=1.80 FPC/FFC Easy-on R/A TYPE 1 SMT CONN.			
0.0 ±0.25 0° ±5°	Unit(单位): MM	Product No(产品料号): AFB04-S**F**-*			
0.00 ±0.15 0° ±3°	Scale(比例): 1:1	Designer(设计): 张孝雄			
0.000 ±0.10 0° ±1°	Page(页数): 1 OF 1	Checked(审核):		Approved(核准):	
Project View (投影视角)	Rev(版本): A				

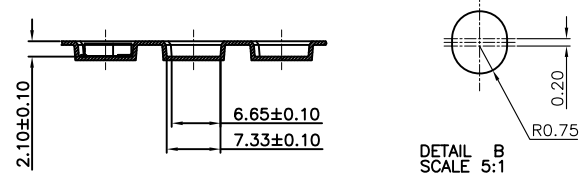
Rev	Change Description	Date	Revisor
A	NEW RELEASE	2018/07/31	张孝雄
版本	变更内容	日期	制/修订人



- NOTES:
- 10 SPROCKET HOLE PITCH CUMULATIVE TOLERANCE.±0.20mm
 - CARRIER CAMBER NOT TO EXCEED 1mm IN 250mm.
 - ALL DIMENSIONS MEET EIA-481-C REQUIREMENTS.
 - MATERIAL: BLACK ANTI-STATIC POLYSTYRENE.
 - THICKNESS: 0.50 ± 0.05 mm.
 - PACKING LENGTH PER 13" REEL : 24.60METERS.
 - COMPONENT LOAD PER 13" REEL : 2000PCS.
 - PEELING OFF FORCE OF TOP TAPE 0.1N~0.7N(10.2gf~71.4gf).



CKTS	DIM B0	DIM B1	DIM W	DIM W1	DIM S	DIM F
24	25.18	19.60	44.00	44.40	40.40	20.20
25	25.98	20.40				
26	26.78	21.20				
27	27.58	22.00				
28	28.38	22.80				
29	29.18	23.60				
30	29.98	24.40				
31	30.78	25.20				
32	31.58	26.00				
33	32.38	26.80				
34	33.18	27.60	56.00	56.40	56.40	26.20
35	33.98	28.40				
36	34.78	29.20				
37	35.58	30.00				
38	36.38	30.80				
39	37.18	31.60				
40	37.98	32.40				
41	38.78	33.20				
42	39.58	34.00				



DETAIL B
SCALE 5:1

CLASSIFICATION DIMENSION (尺寸类别):
 FAT (首次检验): ☉ To ☉
 ■ MARK IS MAJOR DIM (重点尺寸标示)
 ⊕ MARK IS CRITICAL DIM (Cpk&Cp标示)

Tolerance Unspecified (未注公差)	Size (图幅): A4
0.0 ±0.10 0° ±3°	Unit (单位): MM
0.00 ±0.05 0° 0° ±2°	Scale (比例): 1:1
0.000 ±0.02 0° 0° ±1°	Page (页数): 1 OF 1
Project View (投影视角)	Rev (版本): 1.0

深圳市钜硕电子有限公司
 SHENZHEN JUSHUO ELECTRONIC CO., LTD

Product Name (产品名称): 0.8Pitch H=1.80 FPC 掀盖卧式1代SMT型. 载带

Product No (产品料号): AFB04-S**F***

Drawing No (图面编号): DNE000***-*

Date (日期): 2018/07/15

Designer (设计): 张孝雄

Checked (审核):

Approved (核准):

Rev 版本	Change Description 变更内容	Date 日期	Revisor 制/修订人
1.0	初版发行	2018/07/15	张孝雄

X-ON Electronics

Largest Supplier of Electrical and Electronic Components

Click to view similar products for [FFC & FPC Connectors](#) category:

Click to view products by [JUSHUO](#) manufacturer:

Other Similar products are found below :

[00-6200-227-022-800](#) [006205250500825+](#) [006205280500825+](#) [FPH-1602G](#) [FPH-2022G](#) [52610-1275](#) [501864-3091-TR225](#)
[086222026001800](#) [52610-0675](#) [62674-201121DLF](#) [62684-36210E9ALF](#) [52746-1671-TR250](#) [10051922-2810EHLF](#) [686322124422](#) [XF3M-](#)
[2915-1B-R100](#) [AYF353125A](#) [AYF530665TA](#) [AYF534065TA](#) [AYF351525](#) [086212040340800+](#) [AYF530365TA](#) [67000-004LF](#)
[006207341915000+](#) [207356-1](#) [67000-003LF](#) [HFW14R-2STE9LF](#) [SFW12R-5STE9LF](#) [SFW18R-1STAE9LF](#) [SFW4R-5STE9LF](#) [52807-0430](#)
[046283021002868+](#) [502250-8027](#) [104267-9617](#) [66987-011LF](#) [HFW8S-2STAE1HLF](#) [67000-008LF](#) [HFW22R-2STE1H1LF](#) [0781271110](#)
[5019511030](#) [200528-0260](#) [5039084120](#) [503908-5120](#) [SFW20R-1STGE5LF](#) [FH12-18S-0.5SH](#) [686116183522](#) [FH64MA-11S-0.25SHW](#)
[686114183522](#) [502078-5362](#) [FH52K-68S-0.5SH](#) [FH26W-23S-0.3SHW\(60\)](#)