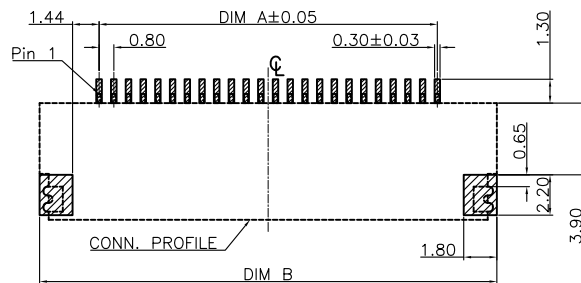
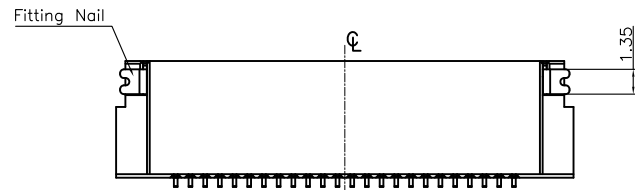
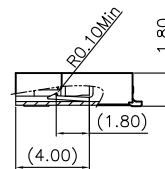
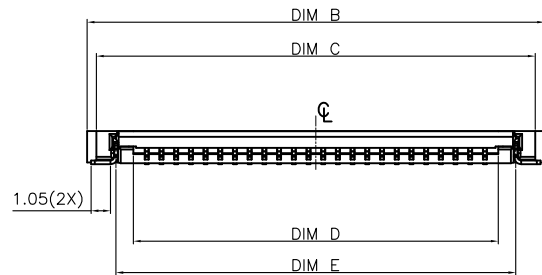


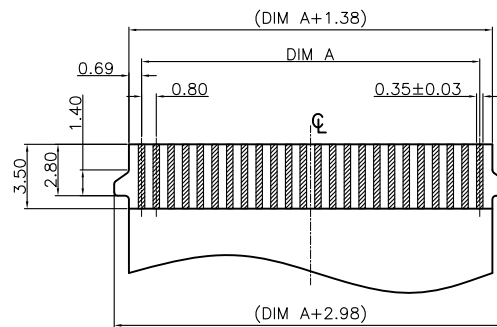
**Notes:**

1. Material:
  - 1.1 Housing: thermoplastic high temp. UL94V-0; Color: Natural.
  - 1.2 Actuator: thermoplastic high temp. UL94V-0; Color: black.
  - 1.3 Terminal: copper alloy.
  - 1.4 Fitting Nail: copper alloy.
2. Finish:
  - 2.1 Terminal: 50u" Min. Nickel underplated overall. I:Gold flash on Contact area and solder area
  - 2.2 Fitting Nail: 50u" Min. Nickel underplated overall. 80~150u" Min. Matte Tin plated.
3. Product must comply HF RoHS specification.
4. Product No:
 

|               |    |   |   |        |                 |
|---------------|----|---|---|--------|-----------------|
| AFB04-S       | ** | F | * | * - ** |                 |
| CKTS          |    |   |   |        |                 |
| CONTACTS TYPE |    |   |   |        | HF:Halogen free |
| F:Lower       |    |   |   |        |                 |
| PLATING       |    |   |   |        | PACKING         |
| I: Gold flash |    |   |   |        | A:Tape&Reel     |
|               |    |   |   |        | C:Tube          |



RECOMMENDED PCB LAYOUT  
GENERAL TOLERANCE ±0.05



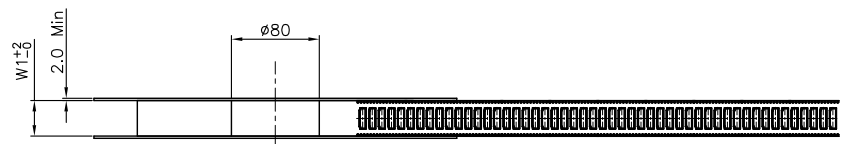
RECOMMENDED FPC/FFC DIMENSIONS  
GENERAL TOLERANCE ±0.03

0.30±0.03

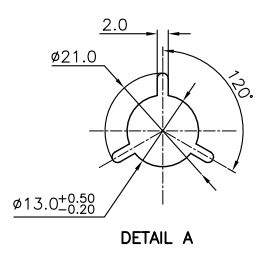
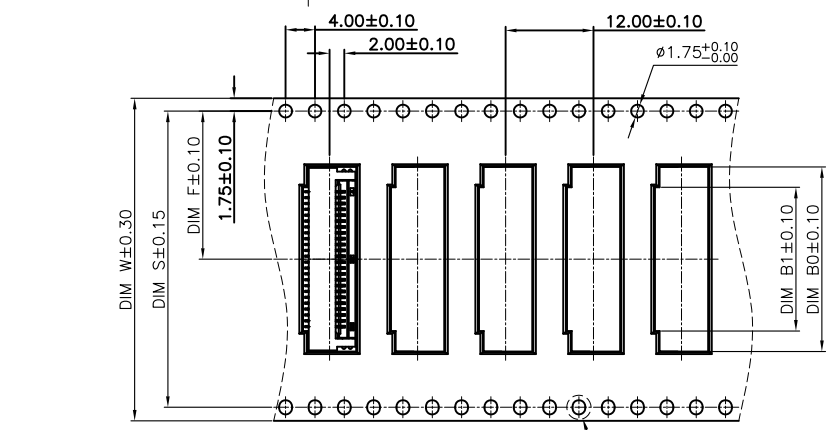
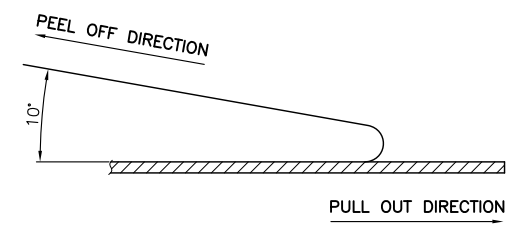
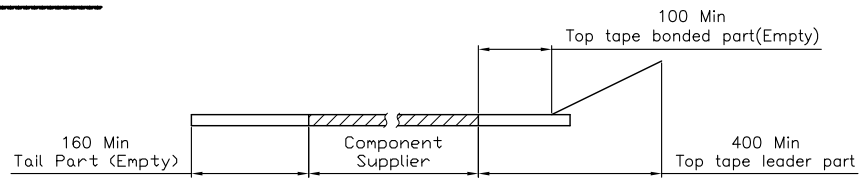
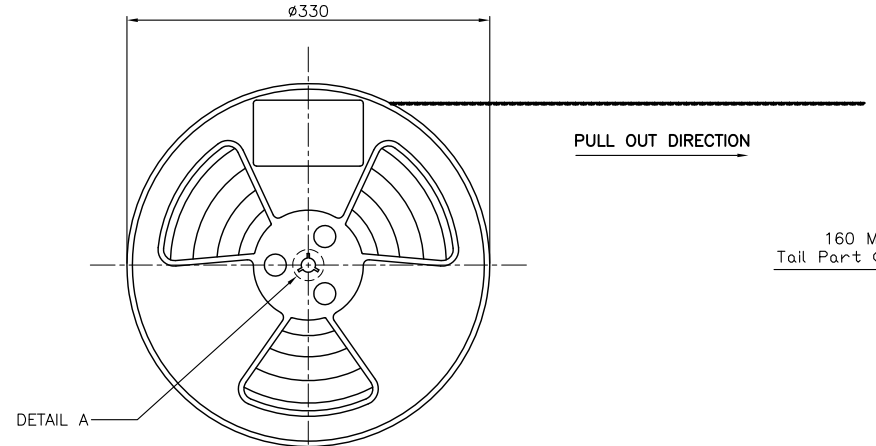
| CKT | DIM A | DIM B | DIM C | DIM D | DIM E |
|-----|-------|-------|-------|-------|-------|
| 24  | 18.40 | 24.88 | 23.88 | 19.85 | 21.75 |

|                                 |                                   |                                                                             |               |
|---------------------------------|-----------------------------------|-----------------------------------------------------------------------------|---------------|
| CUSTOMER DRAWING                |                                   | 深圳市钜硕电子有限公司<br>SHENZHEN JUSHUO ELECTRONIC CO.,LTD                           |               |
| Tolerance Unspecified<br>(未注公差) | Size(图幅):<br>A4                   | Product Name(产品名称):<br>0.8Pitch H=1.80 FPC/FFC Easy-on R/A TYPE 1 SMT CONN. |               |
| 0.0 ±0.25 0° ±5°                | Unit(单位):<br>MM                   | Product No(产品料号):<br>AFB04-S**F**-*                                         |               |
| 0.00 ±0.15 0° ±3°               | Scale(比例):<br>1:1                 | Designer(设计):<br>张孝雄                                                        | Checked(审核):  |
| 0.000 ±0.10 0° ±1°              | Project View<br>(投影视角):<br>1 OF 1 | Rev(版本):<br>A                                                               | Approved(核准): |

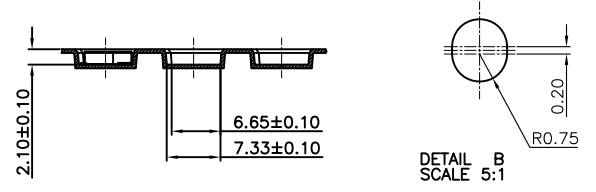
| Rev                        | Date       | Revisor          |
|----------------------------|------------|------------------|
| NEW RELEASE                | 2018/07/31 | 张孝雄              |
| Change Description<br>变更内容 | Date<br>日期 | Revisor<br>制/修订人 |



- NOTES:
- 10 SPROCKET HOLE PITCH CUMULATIVE TOLERANCE.±0.20mm
  - CARRIER CAMBER NOT TO EXCEED 1mm IN 250mm.
  - ALL DIMENSIONS MEET EIA-481-C REQUIREMENTS.
  - MATERIAL: BLACK ANTI-STATIC POLYSTYRENE.
  - THICKNESS: 0.50 ± 0.05 mm.
  - PACKING LENGTH PER 13" REEL : 24.60METERS.
  - COMPONENT LOAD PER 13" REEL : 2000PCS.
  - PEELING OFF FORCE OF TOP TAPE 0.1N~0.7N(10.2gf~71.4gf).



| CKTS | DIM B0 | DIM B1 | DIM W | DIM W1 | DIM S | DIM F |
|------|--------|--------|-------|--------|-------|-------|
| 24   | 25.18  | 19.60  | 44.00 | 44.40  | 40.40 | 20.20 |
| 25   | 25.98  | 20.40  |       |        |       |       |
| 26   | 26.78  | 21.20  |       |        |       |       |
| 27   | 27.58  | 22.00  |       |        |       |       |
| 28   | 28.38  | 22.80  |       |        |       |       |
| 29   | 29.18  | 23.60  |       |        |       |       |
| 30   | 29.98  | 24.40  |       |        |       |       |
| 31   | 30.78  | 25.20  |       |        |       |       |
| 32   | 31.58  | 26.00  |       |        |       |       |
| 33   | 32.38  | 26.80  |       |        |       |       |
| 34   | 33.18  | 27.60  | 56.00 | 56.40  | 56.40 | 26.20 |
| 35   | 33.98  | 28.40  |       |        |       |       |
| 36   | 34.78  | 29.20  |       |        |       |       |
| 37   | 35.58  | 30.00  |       |        |       |       |
| 38   | 36.38  | 30.80  |       |        |       |       |
| 39   | 37.18  | 31.60  |       |        |       |       |
| 40   | 37.98  | 32.40  |       |        |       |       |
| 41   | 38.78  | 33.20  |       |        |       |       |
| 42   | 39.58  | 34.00  |       |        |       |       |



**深圳市钜硕电子有限公司**  
SHENZHEN JUSHUO ELECTRONIC CO.,LTD

Product Name(产品名称): 0.8Pitch H=1.80 FPC 掀盖卧式1代SMT型.载带

Product No(产品料号): AFB04-S\*\*F\*\*\*

Drawing No(图面编号): DNE000\*\*\*-\*

Date(日期): 2018/07/15

Designer(设计): 张孝雄

Checked(审核):

Approved(核准):

CLASSIFICATION DIMENSION(尺寸类别):  
FAT(首次检验): ⊕To ⊙  
■ MARK IS MAJOR DIM(重点尺寸标示)  
⊙ MARK IS CRITICAL DIM(Cpk&Cp标示)

Tolerance Unspecified (未注公差):  
0.0 ±0.10 0° ±3°  
0.00 ±0.05 0° 0 ±2°  
0.000 ±0.02 0° 00 ±1°

Size(图幅): A4  
Unit(单位): MM  
Scale(比例): 1:1  
Page(页数): 1 OF 1  
Project View (投影视角):

| Rev 版本 | Change Description 变更内容 | Date 日期    | Revisor 制/修订人 |
|--------|-------------------------|------------|---------------|
| 1.0    | 初版发行                    | 2018/07/15 | 张孝雄           |

## X-ON Electronics

Largest Supplier of Electrical and Electronic Components

*Click to view similar products for [FFC & FPC Connectors](#) category:*

*Click to view products by [JUSHUO](#) manufacturer:*

Other Similar products are found below :

[00-6200-227-022-800](#) [006205250500825+](#) [006205280500825+](#) [FPH-1602G](#) [FPH-2022G](#) [52610-1275](#) [501864-3091-TR225](#)  
[086222026001800](#) [52610-0675](#) [62674-201121DLF](#) [62684-36210E9ALF](#) [52746-1671-TR250](#) [10051922-2810EHLF](#) [686322124422](#) [XF3M-](#)  
[2915-1B-R100](#) [AYF353125A](#) [AYF530665TA](#) [AYF534065TA](#) [AYF351525](#) [086212040340800+](#) [AYF530365TA](#) [67000-004LF](#)  
[006207341915000+](#) [207356-1](#) [67000-003LF](#) [HFW14R-2STE9LF](#) [SFW12R-5STE9LF](#) [SFW18R-1STAE9LF](#) [SFW4R-5STE9LF](#) [52807-0430](#)  
[046283021002868+](#) [502250-8027](#) [104267-9617](#) [66987-011LF](#) [HFW8S-2STAE1HLF](#) [67000-008LF](#) [HFW22R-2STE1H1LF](#) [0781271110](#)  
[5019511030](#) [200528-0260](#) [5039084120](#) [503908-5120](#) [SFW20R-1STGE5LF](#) [FH12-18S-0.5SH](#) [686116183522](#) [FH64MA-11S-0.25SHW](#)  
[686114183522](#) [502078-5362](#) [FH52K-68S-0.5SH](#) [FH26W-23S-0.3SHW\(60\)](#)