

Rev A	物版发行	2011/03/23	Allian	Rev (版本): 1 OF 1	Project View (投影视图)	Page (页数): 1 of 1	Product No (产品料号): 0.000 #0.05 0*00 ±1°	Product Name (产品名称): 0.5Pitch H=2.0 FPC Easy-on R/A Type1 SMT CONN	Rev (版本): A	Change Description 变更内容	Date 日期	Rev (版本): A	Checked (审核): Approved (核准):	Designer (设计): Allian 03/23/11
Rev A	物版发行	2011/03/23	Allian	Rev (版本): 1 OF 1	Project View (投影视图)	Page (页数): 1 of 1	Product No (产品料号): 0.000 #0.05 0*00 ±1°	Product Name (产品名称): 0.5Pitch H=2.0 FPC Easy-on R/A Type1 SMT CONN	Rev (版本): A	Change Description 变更内容	Date 日期	Rev (版本): A	Checked (审核): Approved (核准):	Designer (设计): Allian 03/23/11

CTKS	DIM A	DIM B	DIM C
4	1.50	2.60	6.40
5	2.00	3.10	6.90
6	2.50	3.60	7.40
7	3.00	4.10	7.90
8	3.50	4.60	8.40
9	4.00	5.10	8.90
10	4.50	5.60	9.40
11	5.00	6.10	9.90
12	5.50	6.60	10.40
13	6.00	7.10	10.90
14	6.50	7.60	11.40
15	7.00	8.10	11.90
16	7.50	8.60	12.40
17	8.00	9.10	12.90
18	8.50	9.60	13.40
19	9.00	10.10	13.90
20	9.50	10.60	14.40
21	10.00	11.10	14.90
22	10.50	11.60	15.40
23	11.00	12.10	15.90
24	11.50	12.60	16.40
25	12.00	13.10	16.90
26	12.50	13.60	17.40
27	13.00	14.10	17.90
28	13.50	14.60	18.40
29	14.00	15.10	18.90
30	14.50	15.60	19.40
31	15.00	16.10	19.90
32	15.50	16.60	20.40
33	16.00	17.10	20.90
34	16.50	17.60	21.40
35	17.00	18.10	21.90
36	17.50	18.60	22.40
37	18.00	19.10	22.90
38	18.50	19.60	23.40
39	19.00	20.10	23.90
40	19.50	20.60	24.40
41	20.00	21.10	24.90
42	20.50	21.60	25.40
43	21.00	22.10	25.90
44	21.50	22.60	26.40
45	22.00	23.10	26.90
46	22.50	23.60	27.40
47	23.00	24.10	27.90
48	23.50	24.60	28.40
49	24.00	25.10	28.90
50	24.50	25.60	29.40
51	25.00	26.10	29.90
52	25.50	26.60	30.40
53	26.00	27.10	30.90
54	26.50	27.60	31.40
55	27.00	28.10	31.90
56	27.50	28.60	32.40
57	28.00	29.10	32.90
58	28.50	29.60	33.40
59	29.00	30.10	33.90
60	29.50	30.60	34.40

**Customer Drawing**

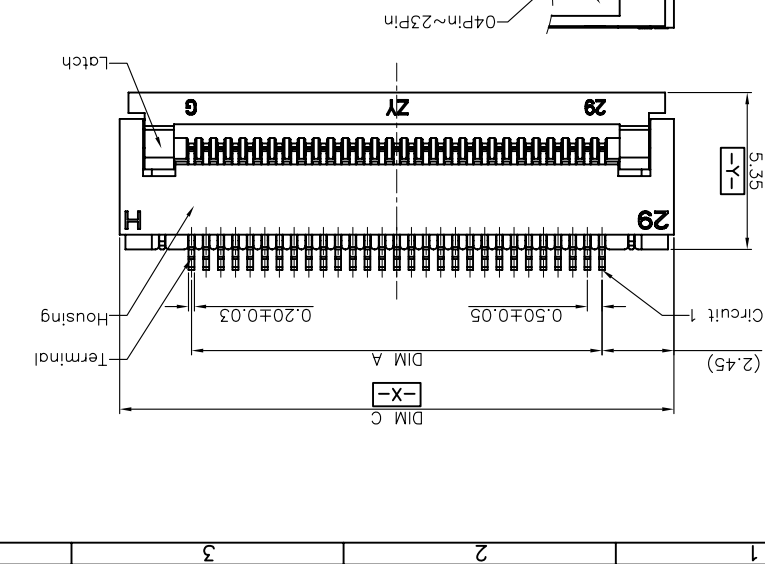
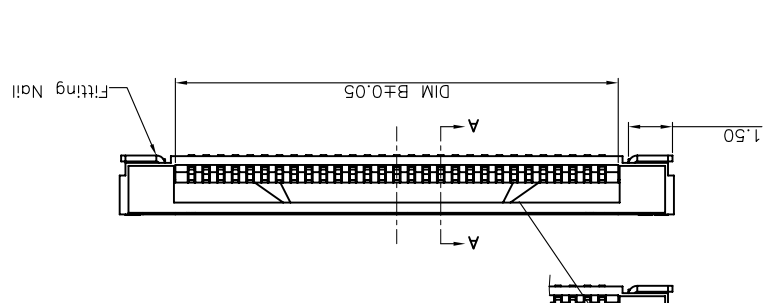
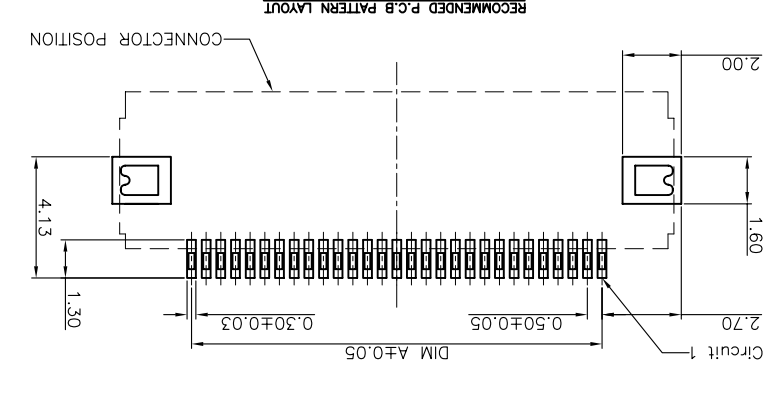
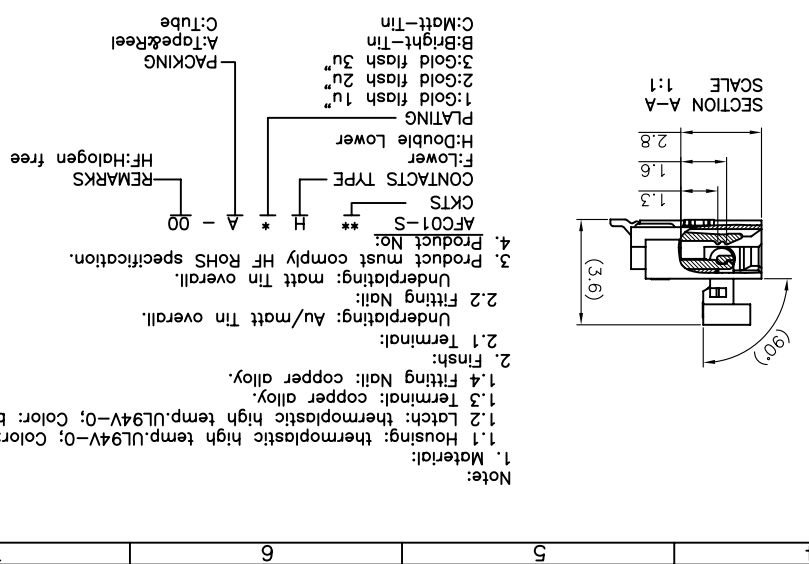
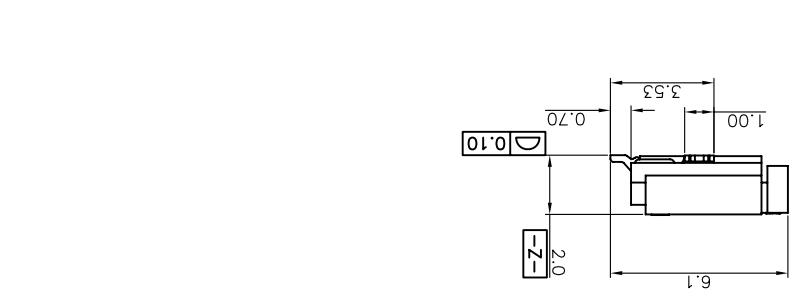
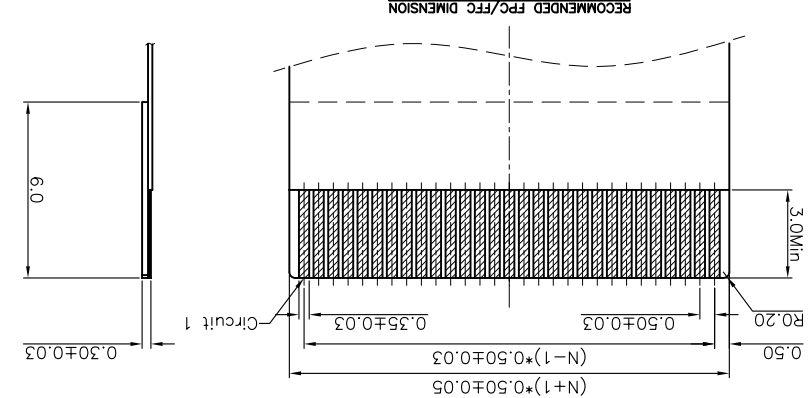
1. Material: thermoplastic high temp. UL94V-0; Color: natural.  
 1.2 Latch: thermoplastic high temp. UL94V-0; Color: black.  
 1.3 Terminal: copper alloy.  
 1.4 Fitting Nail: copper alloy.  
 2. Finish:  
 2.1 Terminal:  
 2.2 Fitting Nail:  
 Underplating: Au/matt Tin overall.  
 Underplating: matt Tin overall.  
 3. Product must comply HF RoHS specification.  
 4. Product No.:

CTKS DIM A DIM B DIM C

REMARKS  
 HF:Halogen free  
 A: Tape&Reel  
 C: Tube  
 PACKING

CONTACTS TYPE  
 C: Matt-Tin  
 B: Bright-Tin  
 3: Gold flash 3u"  
 2: Gold flash 2u"  
 1: Gold flash 1u"  
 PLATING  
 H: Double Lower  
 F: Lower  
 C: Matte-Tin

SCALE 1:1  
 SECTION A-A  
 (90°)



## X-ON Electronics

Largest Supplier of Electrical and Electronic Components

*Click to view similar products for [FFC & FPC Connectors](#) category:*

*Click to view products by [JUSHUO](#) manufacturer:*

Other Similar products are found below :

[HFW11R-1STE1H1LF](#) [FH29B-100S-0.2SHW\(99\)](#) [FA5S008HP1](#) [FH29B-120S-0.2SHW\(99\)](#) [FH29B-80S-0.2SHW\(99\)](#) [FHS-16](#) [FPH-2022G](#)  
[52610-1075](#) [52610-1275](#) [52610-1934](#) [XF3M\(1\)-1415-1B-R100](#) [501864-3091-TR225](#) [0525594033](#) [086210010340800](#) [086222026001800](#)  
[52271-2869-CUT-TAPE](#) [62674-201121DLF](#) [62684-36210E9ALF](#) [52610-1675](#) [52746-1671-TR250](#) [10051922-2810EHLF](#) [6-520415-9](#)  
[BD021-09A-A1-0350-0200-0550-LD](#) [SFV6R-1STE9HLF](#) [XF3M-2915-1B-R100](#) [1658549-1](#) [62674-221121ALF](#) [46214008010800](#)  
[046298003000883](#) [151660622](#) [842-816-2630-035](#) [AYF530665TA](#) [AYF351525](#) [046296011930846+](#) [AYF352325A](#) [046254020000800+](#)  
[FH19C-13S-0.5SH\(99\)](#) [FH39J-51S-0.3SHW\(99\)](#) [AYF355125A](#) [AYF530365TA](#) [FH29B-44S-0.2SHW\(99\)](#) [SFW5R-2STAE9LF](#) [AYF351125A](#)  
[AYF350725A](#) [62684-502100AHLF](#) [FH39-61S-0.3SHW\(99\)](#) [AYF414035A](#) [10064555-172520HLF](#) [AYF212335A](#) [504754-2500](#)