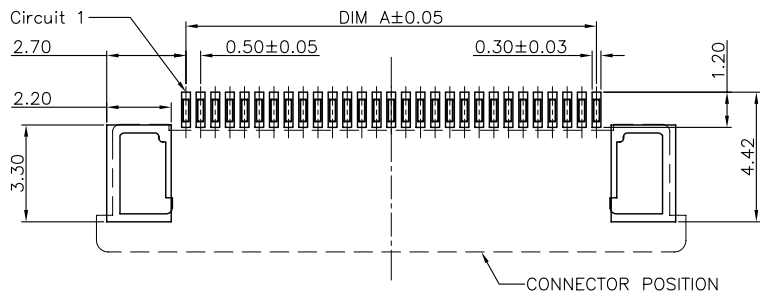
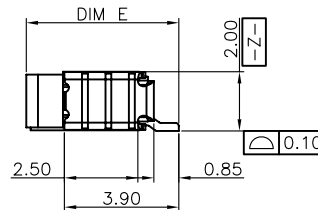
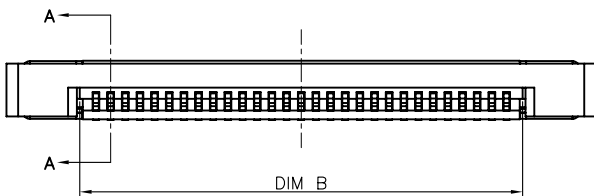
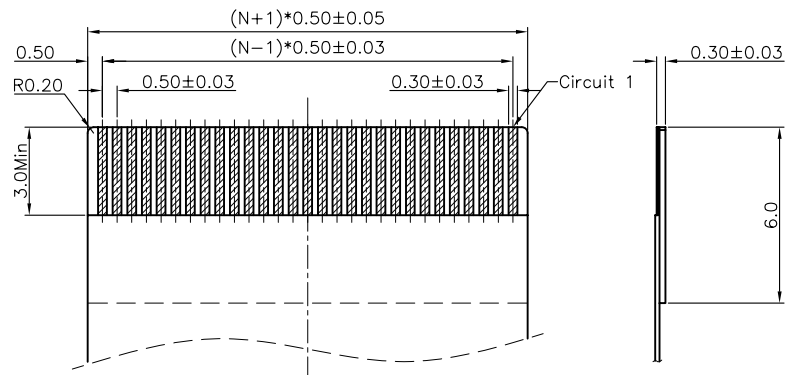


SECTION A-A  
SCALE 1:1



RECOMMENDED P.C.B. PATTERN LAYOUT



RECOMMENDED FPC/FFC DIMENSION

Note:

1. Material:
  - 1.1 Housing: thermoplastic high temp.UL94V-0; Color: natural.
  - 1.2 Latch: thermoplastic high temp.UL94V-0; Color: black.
  - 1.3 Terminal: copper alloy.
  - 1.4 Fitting Nail: copper alloy.

2. Finish:

- 2.1 Terminal: Underplating: Au/matt Tin overall.
- 2.2 Fitting Nail: Underplating: matt Tin overall.

3. Product must comply HF RoHS specification.
4. Product No:

AFC07-S \*\* F \* A - 00  
 CKTS CONTACTS TYPE REMARKS  
 E:Upper HF:Halogen free  
 F:Lower  
 PLATING PACKING  
 1:Gold flash 1u" A:Tape&Reel  
 2:Gold flash 2u" C:Tube  
 3:Gold flash 3u"  
 B:Bright-Tin 90-120u"  
 C:Matt-Tin 90-120u"

CKTS	DIM A	DIM B	DIM C	DIM D	DIM E	DIM F
4	1.50	2.60	6.50	7.60		
5	2.00	3.10	7.00	8.10		
6	2.50	3.60	7.50	8.60		
7	3.00	4.10	8.00	9.10		
8	3.50	4.60	8.50	9.60		
9	4.00	5.10	9.00	10.10		
10	4.50	5.60	9.50	10.60		
11	5.00	6.10	10.00	11.10		
12	5.50	6.60	10.50	11.60		
13	6.00	7.10	11.00	12.10		
14	6.50	7.60	11.50	12.60		
15	7.00	8.10	12.00	13.10		
16	7.50	8.60	12.50	13.60		
17	8.00	9.10	13.00	14.10		
18	8.50	9.60	13.50	14.60		
19	9.00	10.10	14.00	15.10	5.20	6.45
20	9.50	10.60	14.50	15.60		
21	10.00	11.10	15.00	16.10		
22	10.50	11.60	15.50	16.60		
23	11.00	12.10	16.00	17.10		
24	11.50	12.60	16.50	17.60		
25	12.00	13.10	17.00	18.10		
26	12.50	13.60	17.50	18.60		
27	13.00	14.10	18.00	19.10		
28	13.50	14.60	18.50	19.60		
29	14.00	15.10	19.00	20.10		
30	14.50	15.60	19.50	20.60		
31	15.00	16.10	20.00	21.10		
32	15.50	16.60	20.50	21.60		
33	16.00	17.10	21.00	22.10		
34	16.50	17.60	21.50	22.60		
35	17.00	18.10	22.00	23.10		
36	17.50	18.60	22.50	23.60		
37	18.00	19.10	23.00	24.10		
38	18.50	19.60	23.50	24.60		
39	19.00	20.10	24.00	25.10		
40	19.50	20.60	24.50	25.60		
41	20.00	21.10	25.00	26.10		
42	20.50	21.60	25.50	26.60		
43	21.00	22.10	26.00	27.10		
44	21.50	22.60	26.50	27.60		
45	22.00	23.10	27.00	28.10		
46	22.50	23.60	27.50	28.60		
47	23.00	24.10	28.00	29.10		
48	23.50	24.60	28.50	29.60	5.75	7.00
49	24.00	25.10	29.00	30.10		
50	24.50	25.60	29.50	30.60		
51	25.00	26.10	30.00	31.10		
52	25.50	26.60	30.50	31.60		
53	26.00	27.10	31.00	32.10		
54	26.50	27.60	31.50	32.60		
55	27.00	28.10	32.00	33.10		
56	27.50	28.60	32.50	33.60		
57	28.00	29.10	33.00	34.10		
58	28.50	29.60	33.50	34.60		
59	29.00	30.10	34.00	35.10		
60	29.50	30.60	34.50	35.60		

CUSTOMER DRAWING

Tolerance Unspecified (未注公差):  
 0.0 ±0.15 0°. ±5°  
 0.00 ±0.10 0°0 ±3°  
 0.000 ±0.05 0°00 ±1°

Size (图幅): A4  
 Unit (单位): MM  
 Scale (比例): 1:1

Project View (投影视角): 1 OF 1  
 Rev (版本): A

Product Name (产品名称): 0.5Pitch 1F=2.0 FPC ZIF R/A Type3 Lower SMT CONN  
 Product No (产品料号): AFC07-S\*\*F\*\*

Rev	Version	Change Description	Date	Revisor
A	初版发行		2011/09/16	Allan
Rev	版本	变更内容	日期	制/修订人

Designer (设计): Allan 09/16/11  
 Checked (审核):  
 Approved (核准):

## X-ON Electronics

Largest Supplier of Electrical and Electronic Components

*Click to view similar products for [FFC & FPC Connectors](#) category:*

*Click to view products by [JUSHUO](#) manufacturer:*

Other Similar products are found below :

[00-6200-227-022-800](#) [006205250500825+](#) [006205280500825+](#) [FPH-1422G](#) [FPH-1602G](#) [FPH-2022G](#) [52610-1075](#) [52610-1275](#) [52610-1934](#)  
[501864-3091-TR225](#) [086222026001800](#) [52610-0675](#) [62674-201121DLF](#) [62684-36210E9ALF](#) [52746-1671-TR250](#) [10051922-2810EHLF](#) [6-](#)  
[520415-9](#) [686322124422](#) [XF3M-2915-1B-R100](#) [AYF353125A](#) [AYF530665TA](#) [AYF534065TA](#) [AYF351525](#) [086212040340800+](#)  
[AYF530365TA](#) [67000-004LF](#) [006207341915000+](#) [207356-1](#) [67000-003LF](#) [HFW14R-2STE9LF](#) [SFW12R-5STE9LF](#) [SFW18R-1STAE9LF](#)  
[SFW4R-5STE9LF](#) [52807-0430](#) [046283021002868+](#) [502250-8027](#) [104267-9617](#) [66987-011LF](#) [HFW8S-2STAE1HLF](#) [67000-008LF](#)  
[HFW22R-2STE1H1LF](#) [0781271110](#) [5019511030](#) [200528-0260](#) [5039084120](#) [503908-5120](#) [SFW20R-1STGE5LF](#) [FH12-18S-0.5SH](#)  
[686116183522](#) [FH64MA-11S-0.25SHW](#)