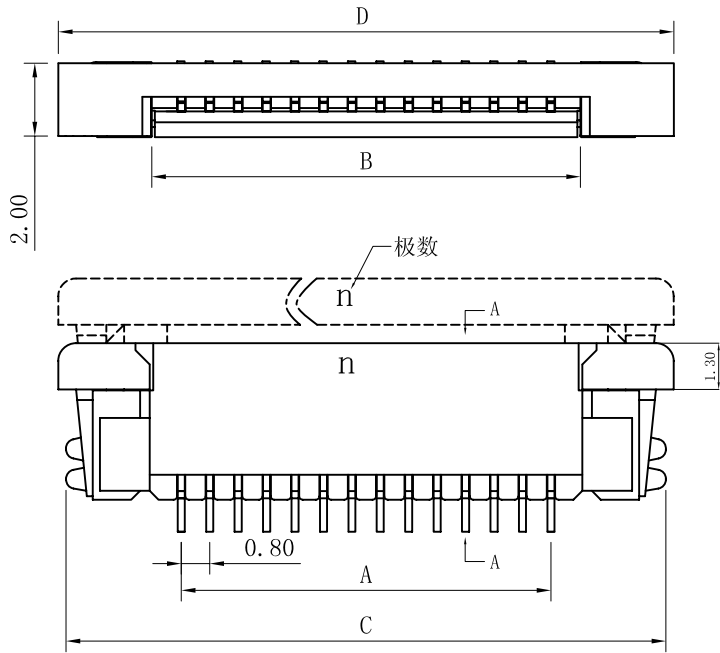
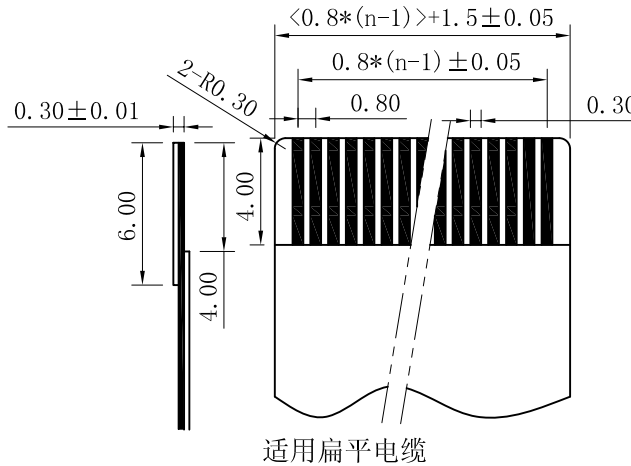
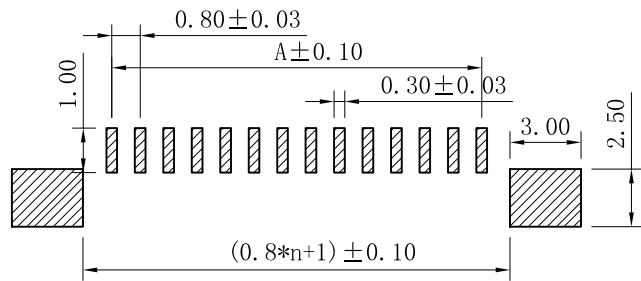
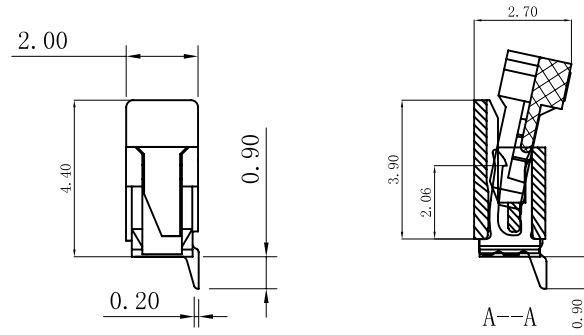


# PITCH 0.8mm FPC CONNECTOR SMT TYPE



主体 Main body LCP UL 94V-0  
 锁扣 Housing Lock LCP UL 94V-0  
 端子 Sit up 磷青铜 Phosphor Bronze  
 焊片 Contact 磷青铜 Phosphor Bronze  
 备注 Remark 金属表面镀锡 Tin



孔位	A	B	C	D
4	2.4	4	9.6	10.3
5	3.2	4.8	10.4	11.1
6	4	5.6	11.2	11.9
7	4.8	6.4	12	12.7
8	5.6	7.2	12.8	13.5
9	6.4	8	13.6	14.3
10	7.2	8.8	14.4	15.1
11	8	9.6	15.2	15.9
12	8.8	10.4	16	16.7
13	9.6	11.2	16.8	17.5
14	10.4	12	17.6	18.3
15	11.2	12.8	18.4	19.1
16	12	13.6	19.2	19.9
17	12.8	14.4	20	20.7
18	13.6	15.2	20.8	21.5
19	14.4	16	21.6	22.3
20	15.2	16.8	22.4	23.1
21	16	17.6	23.2	23.9
22	16.8	18.4	24	24.7
23	17.6	19.2	24.8	25.5
24	18.4	20	25.6	26.3
25	19.2	20.8	26.4	27.1
26	20	21.6	27.2	27.9
27	20.8	22.4	28	28.7
28	21.6	23.2	28.8	29.5
29	22.4	24	29.6	30.3
30	23.2	24.8	30.4	31.1
31	24	25.6	31.2	31.9
32	24.8	26.4	32	32.7
33	25.6	27.2	32.8	33.5
34	26.4	28	33.6	34.3
35	27.2	28.8	34.4	35.1

额定电流 Current rating: 0.4A  
 额定电压 Voltage rating: 50V  
 耐电压 Withstand coltage: 200V  
 接触电阻 Contact resistance :  $\leq 20m\Omega$   
 绝缘电阻 Insulation resistance: 500M $\Omega$   
 工作温度 Working temperature:  $-20^{\circ}c \sim +80^{\circ}c$

X. $\pm 0.3$	X° $\pm 5^{\circ}$	UNITS mm	NAME (INTENDED USE)	深圳市钜硕电子有限公司
.X $\pm 0.25$	.X° $\pm 2^{\circ}$	MAT'L	0.8mm FPC (B型) 半包上接(H=2.0)	
.XX $\pm 0.20$	.XX° $\pm 1^{\circ}$	FINISH	PART NO. (INTENDED USE)	TITLE: 0.8mm FPC (B型) 半包上接(H=2.0)
.XXX $\pm 0.10$	.XXX° $\pm 0.5^{\circ}$		Q'TY	APPD:
THESE DRAWINGS AND SPECIFICATIONS ARE THE PROPERTY OF DE RUI ELECTRON FACTORY AND SHALL NOT BE REPRODUCED, COPIED OR USED IN ANY MANNER WITHOUT THE PRIOR WRITTEN CONSENT OF DE RUI ELECTRON FACTORY			CHKD:	SCALE SHEET REV. 1/1 1/1 A
			DR: YLZ 2011.09.28	

## X-ON Electronics

Largest Supplier of Electrical and Electronic Components

*Click to view similar products for [FFC & FPC Connectors](#) category:*

*Click to view products by [JUSHUO](#) manufacturer:*

Other Similar products are found below :

[00-6200-227-022-800](#) [006205250500825+](#) [006205280500825+](#) [FPH-1602G](#) [086222026001800](#) [52610-0675](#) [62674-201121DLF](#) [52746-1671-TR250](#) [10051922-1610EHLF](#) [10051922-2810EHLF](#) [686322124422](#) [XF3M-2915-1B-R100](#) [AYF353125A](#) [AYF530665TA](#) [AYF534065TA](#) [20FLH-RSM1-TB](#) [PCA-7F-25-HL-3-G](#) [207356-1](#) [52807-0430](#) [FFC05011-10SBB114W5M](#) [502250-8027](#) [FH28K-40S-0.5SH](#) [200528-0260](#) [FH28K-10S-0.5SH](#) [501951-1250](#) [X05B20U43T](#) [0.5K-DX-30PWB](#) [DS1020-08-10VBT12](#) [THD0515-34CL-GF](#) [X05A10L28G](#) [ECC2841061EU](#) [20539-030E-01](#) [1.0K-DHQX-16PWB](#) [1.0K-DHQX-30PWB](#) [1775333-6](#) [10054365-202110ELF](#) [10054365-242110ELF](#) [10054365-282110ELF](#) [10064555-392220HLF](#) [59453-041110EBHLF](#) [59453-091110EDHLF](#) [62674-241141ALF](#) [62684-432100ALF](#) [62684-451100AHLF](#) [62684-5721N0ALF](#) [HFW11R-1STE1MTLF](#) [HFW12R-1STE9LF](#) [HFW14R-1STE9MTLF](#) [HFW18S-2STE9LF](#) [HFW20R-1STAE1HLF](#)