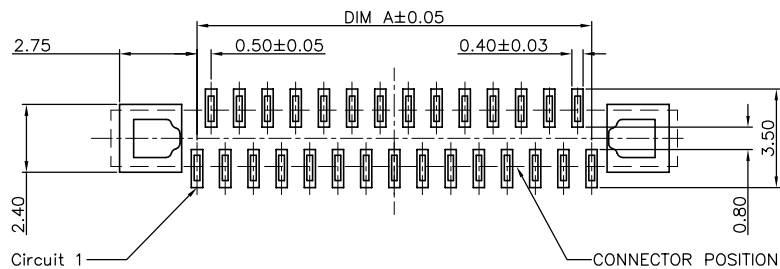
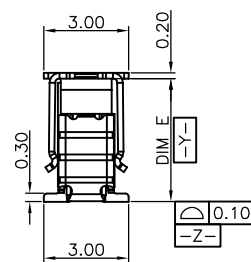
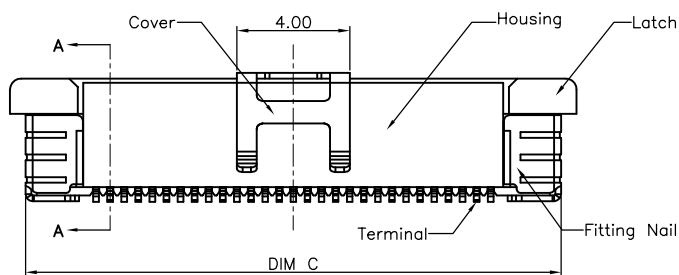
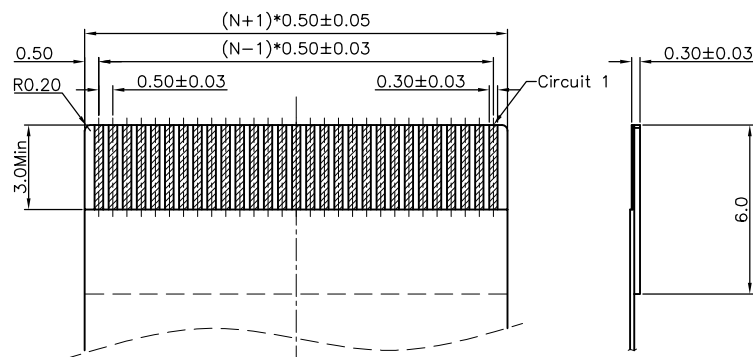


SECTION A-A  
SCALE 1:1



RECOMMENDED P.C.B PATTERN LAYOUT



RECOMMENDED FPC/FFC DIMENSION

Note:

1. Material:

- 1.1 Housing: thermoplastic high temp.UL94V-0; Color: natural.
- 1.2 Latch: thermoplastic high temp.UL94V-0; Color: black.
- 1.3 Terminal: copper alloy.
- 1.4 Fitting Nail: copper alloy.
- 1.5 Cover: Stainless steel.

2. Finish:

2.1 Terminal:

Underplating: Au/matt Tin overall.

2.2 Fitting Nail:

Underplating: matt Tin overall.

3. Product must comply HF RoHS specification.

4. Product No:

AFC11-S \*\* \* A - 00

CKTS \_\_\_\_\_

SOLDERING TYPE \_\_\_\_\_

I:Normal

J:Reverse

PLATING \_\_\_\_\_

1:Gold flash 1u"

2:Gold flash 2u"

3:Gold flash 3u"

B:Bright-Tin 90-120u"

C:Matt-Tin 90-120u"

REMARKS  
HF:Halogen free

PACKING  
A:Tape&Reel  
C:Tube  
H:Tape&Reel With Cover  
J:Tube With Cover

| CKTS | DIM A | DIM B | DIM C | DIM D | DIM E | DIM F |
|------|-------|-------|-------|-------|-------|-------|
| 4    | 1.50  | 2.60  | 6.50  | 7.60  |       |       |
| 5    | 2.00  | 3.10  | 7.00  | 8.10  |       |       |
| 6    | 2.50  | 3.60  | 7.50  | 8.60  |       |       |
| 7    | 3.00  | 4.10  | 8.00  | 9.10  |       |       |
| 8    | 3.50  | 4.60  | 8.50  | 9.60  |       |       |
| 9    | 4.00  | 5.10  | 9.00  | 10.10 |       |       |
| 10   | 4.50  | 5.60  | 9.50  | 10.60 |       |       |
| 11   | 5.00  | 6.10  | 10.00 | 11.10 |       |       |
| 12   | 5.50  | 6.60  | 10.50 | 11.60 |       |       |
| 13   | 6.00  | 7.10  | 11.00 | 12.10 |       |       |
| 14   | 6.50  | 7.60  | 11.50 | 12.60 |       |       |
| 15   | 7.00  | 8.10  | 12.00 | 13.10 |       |       |
| 16   | 7.50  | 8.60  | 12.50 | 13.60 |       |       |
| 17   | 8.00  | 9.10  | 13.00 | 14.10 |       |       |
| 18   | 8.50  | 9.60  | 13.50 | 14.60 |       |       |
| 19   | 9.00  | 10.10 | 14.00 | 15.10 | 4.40  | 5.65  |
| 20   | 9.50  | 10.60 | 14.50 | 15.60 |       |       |
| 21   | 10.00 | 11.10 | 15.00 | 16.10 |       |       |
| 22   | 10.50 | 11.60 | 15.50 | 16.60 |       |       |
| 23   | 11.00 | 12.10 | 16.00 | 17.10 |       |       |
| 24   | 11.50 | 12.60 | 16.50 | 17.60 |       |       |
| 25   | 12.00 | 13.10 | 17.00 | 18.10 |       |       |
| 26   | 12.50 | 13.60 | 17.50 | 18.60 |       |       |
| 27   | 13.00 | 14.10 | 18.00 | 19.10 |       |       |
| 28   | 13.50 | 14.60 | 18.50 | 19.60 |       |       |
| 29   | 14.00 | 15.10 | 19.00 | 20.10 |       |       |
| 30   | 14.50 | 15.60 | 19.50 | 20.60 |       |       |
| 31   | 15.00 | 16.10 | 20.00 | 21.10 |       |       |
| 32   | 15.50 | 16.60 | 20.50 | 21.60 |       |       |
| 33   | 16.00 | 17.10 | 21.00 | 22.10 |       |       |
| 34   | 16.50 | 17.60 | 21.50 | 22.60 |       |       |
| 35   | 17.00 | 18.10 | 22.00 | 23.10 |       |       |
| 36   | 17.50 | 18.60 | 22.50 | 23.60 |       |       |
| 37   | 18.00 | 19.10 | 23.00 | 24.10 |       |       |
| 38   | 18.50 | 19.60 | 23.50 | 24.60 |       |       |
| 39   | 19.00 | 20.10 | 24.00 | 25.10 |       |       |
| 40   | 19.50 | 20.60 | 24.50 | 25.60 |       |       |
| 41   | 20.00 | 21.10 | 25.00 | 26.10 |       |       |
| 42   | 20.50 | 21.60 | 25.50 | 26.60 |       |       |
| 43   | 21.00 | 22.10 | 26.00 | 27.10 |       |       |
| 44   | 21.50 | 22.60 | 26.50 | 27.60 |       |       |
| 45   | 22.00 | 23.10 | 27.00 | 28.10 |       |       |
| 46   | 22.50 | 23.60 | 27.50 | 28.60 |       |       |
| 47   | 23.00 | 24.10 | 28.00 | 29.10 | 4.95  | 6.20  |
| 48   | 23.50 | 24.60 | 28.50 | 29.60 |       |       |
| 49   | 24.00 | 25.10 | 29.00 | 30.10 |       |       |
| 50   | 24.50 | 25.60 | 29.50 | 30.60 |       |       |
| 51   | 25.00 | 26.10 | 30.00 | 31.10 |       |       |
| 52   | 25.50 | 26.60 | 30.50 | 31.60 |       |       |
| 53   | 26.00 | 27.10 | 31.00 | 32.10 |       |       |
| 54   | 26.50 | 27.60 | 31.50 | 32.60 |       |       |
| 55   | 27.00 | 28.10 | 32.00 | 33.10 |       |       |
| 56   | 27.50 | 28.60 | 32.50 | 33.60 |       |       |
| 57   | 28.00 | 29.10 | 33.00 | 34.10 |       |       |
| 58   | 28.50 | 29.60 | 33.50 | 34.60 |       |       |
| 59   | 29.00 | 30.10 | 34.00 | 35.10 |       |       |
| 60   | 29.50 | 30.60 | 34.50 | 35.60 |       |       |

|                              |                             |   |                |
|------------------------------|-----------------------------|---|----------------|
| <b>CUSTOMER DRAWING</b>      |                             | <b>深圳市钜硕电子有限公司</b>  |                |
| Tolerance Unspecified (未注公差) | Size (图幅): A4               | Product Name (产品名称): 0.5Pi tch H=4.4&4.95 FPC ZIF S/A Normal Type3 SMT CONN |                |
| 0.0 ±0.15 0° ±5°             | Unit (单位): MM               | Product No (产品料号): AFC11-S**1**   |                |
| 0.00 ±0.10 0° 0 ±3°          | Scale (比例): 1:1             | Designer (设计): Allan 09/16'11   | Checked (审核):  |
| 0.000 ±0.05 0° 0 ±1°         | Project View (投影视角): 1 OF 1 | Rev (版本): A   | Approved (核准): |

|     |                    |            |         |
|-----|--------------------|------------|---------|
| A   | 初版发行               | 2011/09/16 | Allan   |
| Rev | Change Description | Date       | Revisor |
| 版本  | 变更内容               | 日期         | 制/修订人   |

## X-ON Electronics

Largest Supplier of Electrical and Electronic Components

*Click to view similar products for [FFC & FPC Connectors](#) category:*

*Click to view products by [JUSHUO](#) manufacturer:*

Other Similar products are found below :

[00-6200-227-022-800](#) [006205250500825+](#) [006205280500825+](#) [FPH-1602G](#) [FPH-2022G](#) [52610-1275](#) [501864-3091-TR225](#)  
[086222026001800](#) [52610-0675](#) [62674-201121DLF](#) [62684-36210E9ALF](#) [52746-1671-TR250](#) [10051922-2810EHLF](#) [686322124422](#) [XF3M-](#)  
[2915-1B-R100](#) [AYF353125A](#) [AYF530665TA](#) [AYF534065TA](#) [AYF351525](#) [086212040340800+](#) [AYF530365TA](#) [67000-004LF](#)  
[006207341915000+](#) [207356-1](#) [67000-003LF](#) [HFW14R-2STE9LF](#) [SFW12R-5STE9LF](#) [SFW18R-1STAE9LF](#) [SFW4R-5STE9LF](#) [52807-0430](#)  
[046283021002868+](#) [502250-8027](#) [104267-9617](#) [66987-011LF](#) [HFW8S-2STAE1HLF](#) [67000-008LF](#) [HFW22R-2STE1H1LF](#) [0781271110](#)  
[5019511030](#) [200528-0260](#) [5039084120](#) [503908-5120](#) [SFW20R-1STGE5LF](#) [FH12-18S-0.5SH](#) [686116183522](#) [FH64MA-11S-0.25SHW](#)  
[686114183522](#) [502078-5362](#) [FH52K-68S-0.5SH](#) [FH26W-23S-0.3SHW\(60\)](#)