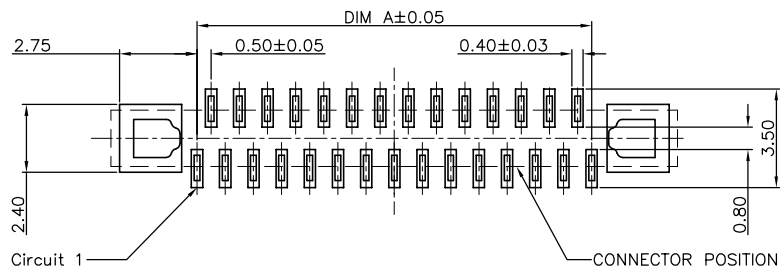
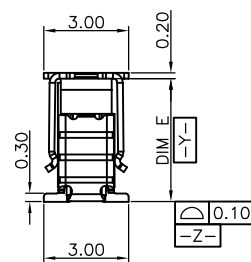
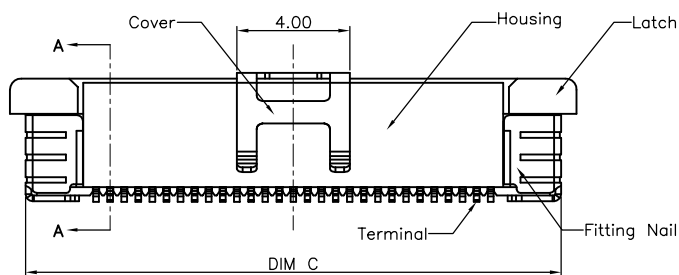
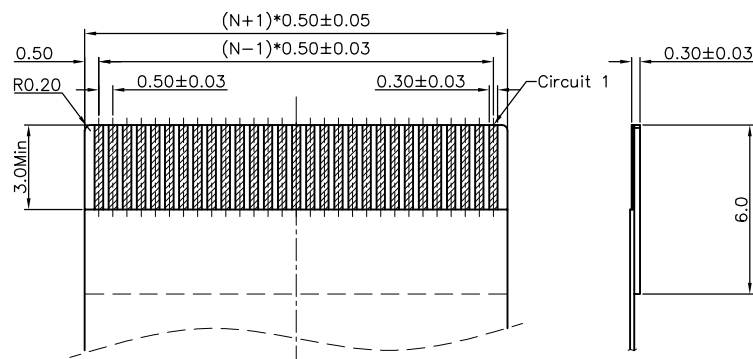


SECTION A-A
SCALE 1:1



RECOMMENDED P.C.B PATTERN LAYOUT



RECOMMENDED FPC/FFC DIMENSION

Note:

1. Material:

- 1.1 Housing: thermoplastic high temp.UL94V-0; Color: natural.
- 1.2 Latch: thermoplastic high temp.UL94V-0; Color: black.
- 1.3 Terminal: copper alloy.
- 1.4 Fitting Nail: copper alloy.
- 1.5 Cover: Stainless steel.

2. Finish:

2.1 Terminal:

Underplating: Au/matt Tin overall.

2.2 Fitting Nail:

Underplating: matt Tin overall.

3. Product must comply HF RoHS specification.

4. Product No:

- AFC11-S **
- CKTS
- SOLDERING TYPE
- I:Normal
- J:Reverse
- PLATING
- 1:Gold flash 1u"
- 2:Gold flash 2u"
- 3:Gold flash 3u"
- B:Bright-Tin 90-120u"
- C:Matt-Tin 90-120u"

REMARKS
HF:Halogen free

PACKING
A:Tape&Reel
C:Tube
H:Tape&Reel With Cover
J:Tube With Cover

| CKTS | DIM A | DIM B | DIM C | DIM D | DIM E | DIM F |
|------|-------|-------|-------|-------|-------|-------|
| 4 | 1.50 | 2.60 | 6.50 | 7.60 | | |
| 5 | 2.00 | 3.10 | 7.00 | 8.10 | | |
| 6 | 2.50 | 3.60 | 7.50 | 8.60 | | |
| 7 | 3.00 | 4.10 | 8.00 | 9.10 | | |
| 8 | 3.50 | 4.60 | 8.50 | 9.60 | | |
| 9 | 4.00 | 5.10 | 9.00 | 10.10 | | |
| 10 | 4.50 | 5.60 | 9.50 | 10.60 | | |
| 11 | 5.00 | 6.10 | 10.00 | 11.10 | | |
| 12 | 5.50 | 6.60 | 10.50 | 11.60 | | |
| 13 | 6.00 | 7.10 | 11.00 | 12.10 | | |
| 14 | 6.50 | 7.60 | 11.50 | 12.60 | | |
| 15 | 7.00 | 8.10 | 12.00 | 13.10 | | |
| 16 | 7.50 | 8.60 | 12.50 | 13.60 | | |
| 17 | 8.00 | 9.10 | 13.00 | 14.10 | | |
| 18 | 8.50 | 9.60 | 13.50 | 14.60 | | |
| 19 | 9.00 | 10.10 | 14.00 | 15.10 | 4.40 | 5.65 |
| 20 | 9.50 | 10.60 | 14.50 | 15.60 | | |
| 21 | 10.00 | 11.10 | 15.00 | 16.10 | | |
| 22 | 10.50 | 11.60 | 15.50 | 16.60 | | |
| 23 | 11.00 | 12.10 | 16.00 | 17.10 | | |
| 24 | 11.50 | 12.60 | 16.50 | 17.60 | | |
| 25 | 12.00 | 13.10 | 17.00 | 18.10 | | |
| 26 | 12.50 | 13.60 | 17.50 | 18.60 | | |
| 27 | 13.00 | 14.10 | 18.00 | 19.10 | | |
| 28 | 13.50 | 14.60 | 18.50 | 19.60 | | |
| 29 | 14.00 | 15.10 | 19.00 | 20.10 | | |
| 30 | 14.50 | 15.60 | 19.50 | 20.60 | | |
| 31 | 15.00 | 16.10 | 20.00 | 21.10 | | |
| 32 | 15.50 | 16.60 | 20.50 | 21.60 | | |
| 33 | 16.00 | 17.10 | 21.00 | 22.10 | | |
| 34 | 16.50 | 17.60 | 21.50 | 22.60 | | |
| 35 | 17.00 | 18.10 | 22.00 | 23.10 | | |
| 36 | 17.50 | 18.60 | 22.50 | 23.60 | | |
| 37 | 18.00 | 19.10 | 23.00 | 24.10 | | |
| 38 | 18.50 | 19.60 | 23.50 | 24.60 | | |
| 39 | 19.00 | 20.10 | 24.00 | 25.10 | | |
| 40 | 19.50 | 20.60 | 24.50 | 25.60 | | |
| 41 | 20.00 | 21.10 | 25.00 | 26.10 | | |
| 42 | 20.50 | 21.60 | 25.50 | 26.60 | | |
| 43 | 21.00 | 22.10 | 26.00 | 27.10 | | |
| 44 | 21.50 | 22.60 | 26.50 | 27.60 | | |
| 45 | 22.00 | 23.10 | 27.00 | 28.10 | | |
| 46 | 22.50 | 23.60 | 27.50 | 28.60 | | |
| 47 | 23.00 | 24.10 | 28.00 | 29.10 | 4.95 | 6.20 |
| 48 | 23.50 | 24.60 | 28.50 | 29.60 | | |
| 49 | 24.00 | 25.10 | 29.00 | 30.10 | | |
| 50 | 24.50 | 25.60 | 29.50 | 30.60 | | |
| 51 | 25.00 | 26.10 | 30.00 | 31.10 | | |
| 52 | 25.50 | 26.60 | 30.50 | 31.60 | | |
| 53 | 26.00 | 27.10 | 31.00 | 32.10 | | |
| 54 | 26.50 | 27.60 | 31.50 | 32.60 | | |
| 55 | 27.00 | 28.10 | 32.00 | 33.10 | | |
| 56 | 27.50 | 28.60 | 32.50 | 33.60 | | |
| 57 | 28.00 | 29.10 | 33.00 | 34.10 | | |
| 58 | 28.50 | 29.60 | 33.50 | 34.60 | | |
| 59 | 29.00 | 30.10 | 34.00 | 35.10 | | |
| 60 | 29.50 | 30.60 | 34.50 | 35.60 | | |

| CUSTOMER DRAWING | |
|------------------------------|--------------------|
| Tolerance Unspecified (未注公差) | Size (图幅): A4 |
| 0.0 ±0.15 0° ±5° | Unit (单位): MM |
| 0.00 ±0.10 0° 0 ±3° | Scale (比例): 1:1 |
| 0.000 ±0.05 0° 0 ±1° | Product No (产品料号): |
| Project View (投影视角) | Page (页数): 1 OF 1 |
| Rev (版本): | Rev (版本): A |

| 深圳市钜硕电子有限公司 | | |
|---|---------------|----------------|
| Product Name (产品名称): 0.5Pi tch H=4.4&4.95 FPC ZIF S/A Normal Type3 SMT CONN | | |
| Product No (产品料号): AFC11-S**1** | | |
| Designer (设计): Allan 09/16'11 | Checked (审核): | Approved (核准): |

| A | 初版发行 | 2011/09/16 | Allan |
|-----|--------------------|------------|---------|
| Rev | Change Description | Date | Revisor |
| 版本 | 变更内容 | 日期 | 制/修订人 |

X-ON Electronics

Largest Supplier of Electrical and Electronic Components

Click to view similar products for [FFC & FPC Connectors](#) category:

Click to view products by [JUSHUO](#) manufacturer:

Other Similar products are found below :

[00-6200-227-022-800](#) [006205250500825+](#) [006205280500825+](#) [FPH-1602G](#) [FPH-2022G](#) [52610-1275](#) [501864-3091-TR225](#)
[086222026001800](#) [52610-0675](#) [62674-201121DLF](#) [62684-36210E9ALF](#) [52746-1671-TR250](#) [10051922-2810EHLF](#) [686322124422](#) [XF3M-](#)
[2915-1B-R100](#) [AYF353125A](#) [AYF530665TA](#) [AYF534065TA](#) [AYF351525](#) [086212040340800+](#) [AYF530365TA](#) [67000-004LF](#)
[006207341915000+](#) [207356-1](#) [67000-003LF](#) [HFW14R-2STE9LF](#) [SFW12R-5STE9LF](#) [SFW18R-1STAE9LF](#) [SFW4R-5STE9LF](#) [52807-0430](#)
[046283021002868+](#) [502250-8027](#) [104267-9617](#) [66987-011LF](#) [HFW8S-2STAE1HLF](#) [67000-008LF](#) [HFW22R-2STE1H1LF](#) [0781271110](#)
[5019511030](#) [200528-0260](#) [5039084120](#) [503908-5120](#) [SFW20R-1STGE5LF](#) [FH12-18S-0.5SH](#) [686116183522](#) [FH64MA-11S-0.25SHW](#)
[686114183522](#) [502078-5362](#) [FH52K-68S-0.5SH](#) [FH26W-23S-0.3SHW\(60\)](#)