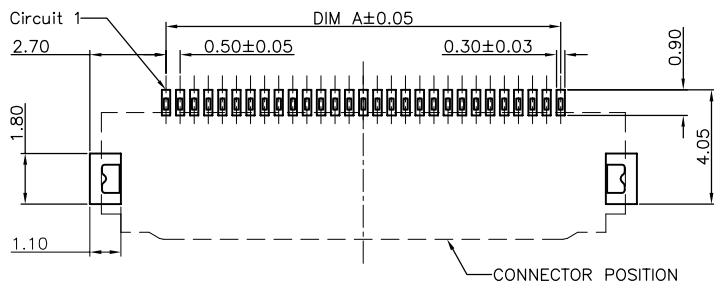
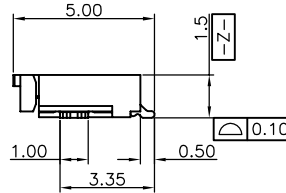
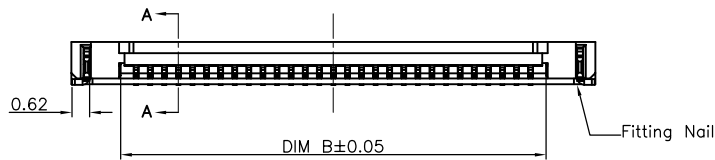
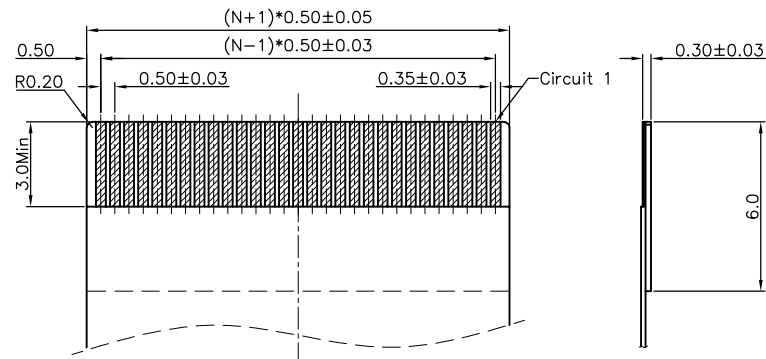


SECTION A-A
SCALE 1:1



RECOMMENDED P.C.B. PATTERN LAYOUT



RECOMMENDED FPC/FFC DIMENSION

- Note:
- Material:
 - Housing: thermoplastic high temp.UL94V-0; Color: natural.
 - Latch: thermoplastic high temp.UL94V-0; Color: black.
 - Terminal: copper alloy.
 - Fitting Nail: copper alloy.
 - Finish:
 - Terminal: Underplating: Au/matt Tin overall.
 - Fitting Nail: Underplating: matt Tin overall.
 - Product must comply HF RoHS specification.
 - Product No:

AFC30-S ** H * A - 00
 CKTS
 CONTACTS TYPE
 F:Lower
 H:Double Lower
 PLATING
 1:Gold flash 1u"
 2:Gold flash 2u"
 3:Gold flash 3u"
 B:Bright-Tin 90-120u"
 C:Matt-Tin 90-120u"

CKTS	DIM A	DIM B	DIM C	DIM D
4	1.50	2.60	4.70	6.10
5	2.00	3.10	5.20	6.60
6	2.50	3.60	5.70	7.10
7	3.00	4.10	6.20	7.60
8	3.50	4.60	6.70	8.10
9	4.00	5.10	7.20	8.60
10	4.50	5.60	7.70	9.10
11	5.00	6.10	8.20	9.60
12	5.50	6.60	8.70	10.10
13	6.00	7.10	9.20	10.60
14	6.50	7.60	9.70	11.10
15	7.00	8.10	10.20	11.60
16	7.50	8.60	10.70	12.10
17	8.00	9.10	11.20	12.60
18	8.50	9.60	11.70	13.10
19	9.00	10.10	12.20	13.60
20	9.50	10.60	12.70	14.10
21	10.00	11.10	13.20	14.60
22	10.50	11.60	13.70	15.10
23	11.00	12.10	14.20	15.60
24	11.50	12.60	14.70	16.10
25	12.00	13.10	15.20	16.60
26	12.50	13.60	15.70	17.10
27	13.00	14.10	16.20	17.60
28	13.50	14.60	16.70	18.10
29	14.00	15.10	17.20	18.60
30	14.50	15.60	17.70	19.10
31	15.00	16.10	18.20	19.60
32	15.50	16.60	18.70	20.10
33	16.00	17.10	19.20	20.60
34	16.50	17.60	19.70	21.10
35	17.00	18.10	20.20	21.60
36	17.50	18.60	20.70	22.10
37	18.00	19.10	21.20	22.60
38	18.50	19.60	21.70	23.10
39	19.00	20.10	22.20	23.60
40	19.50	20.60	22.70	24.10
41	20.00	21.10	23.20	24.60
42	20.50	21.60	23.70	25.10
43	21.00	22.10	24.20	25.60
44	21.50	22.60	24.70	26.10
45	22.00	23.10	25.20	26.60
46	22.50	23.60	25.70	27.10
47	23.00	24.10	26.20	27.60
48	23.50	24.60	26.70	28.10
49	24.00	25.10	27.20	28.60
50	24.50	25.60	27.70	29.10
51	25.00	26.10	28.20	29.60
52	25.50	26.60	28.70	30.10
53	26.00	27.10	29.20	30.60
54	26.50	27.60	29.70	31.10
55	27.00	28.10	30.20	31.60
56	27.50	28.60	30.70	32.10
57	28.00	29.10	31.20	32.60
58	28.50	29.60	31.70	33.10
59	29.00	30.10	32.20	33.60
60	29.50	30.60	32.70	34.10

REMARKS
HF:Halogen free

PACKING
A:Tape&Reel
C:Tube

CUSTOMER DRAWING

Tolerance Unspecified (未注公差)
 0.0 ±0.15 0° ±5°
 0.00 ±0.10 0°±0 ±3°
 0.000 ±0.05 0°±0 ±1°

Size (图幅): A4
 Unit (单位): MM
 Scale (比例): 1:1
 Project View (按影视角): 1 OF 1
 Rev (版本): A

深圳市钜硕电子有限公司

Product Name (产品名称): 0.5Pi tch H=1.5 FPC Easy-on R/A D/C Type1 SMT CONN

Product No (产品料号):

AFC30-S**F**--**

Designer (设计): Allan 11/22'12
 Checked (审核):
 Approved (核准):

A	初版发行	2012/11/22	Allan
Rev	Change Description	Date	Revisor
版本	变更内容	日期	制/修订人



X-ON Electronics

Largest Supplier of Electrical and Electronic Components

Click to view similar products for [FFC & FPC Connectors](#) category:

Click to view products by [JUSHUO](#) manufacturer:

Other Similar products are found below :

[00-6200-227-022-800](#) [006205250500825+](#) [006205280500825+](#) [FPH-1602G](#) [52610-1275](#) [501864-3091-TR225](#) [086222026001800](#) [52610-0675](#) [62674-201121DLF](#) [62684-36210E9ALF](#) [52746-1671-TR250](#) [10051922-2810EHLF](#) [686322124422](#) [XF3M-2915-1B-R100](#) [AYF353125A](#) [AYF530665TA](#) [AYF534065TA](#) [20FLH-RSM1-TB](#) [AYF351525](#) [086212040340800+](#) [AYF530365TA](#) [67000-004LF](#) [006207341915000+](#) [207356-1](#) [67000-003LF](#) [HFW14R-2STE9LF](#) [SFW12R-5STE9LF](#) [SFW18R-1STAE9LF](#) [SFW4R-5STE9LF](#) [52807-0430](#) [046283021002868+](#) [502250-8027](#) [104267-9617](#) [66987-011LF](#) [HFW8S-2STAE1HLF](#) [67000-008LF](#) [HFW22R-2STE1H1LF](#) [0781271110](#) [0781272410](#) [0781272810](#) [5019511030](#) [FH28K-40S-0.5SH](#) [200528-0260](#) [5039084120](#) [503908-5120](#) [SFW20R-1STGE5LF](#) [FH12-18S-0.5SH](#) [686116183522](#) [686114183522](#) [502078-5362](#)